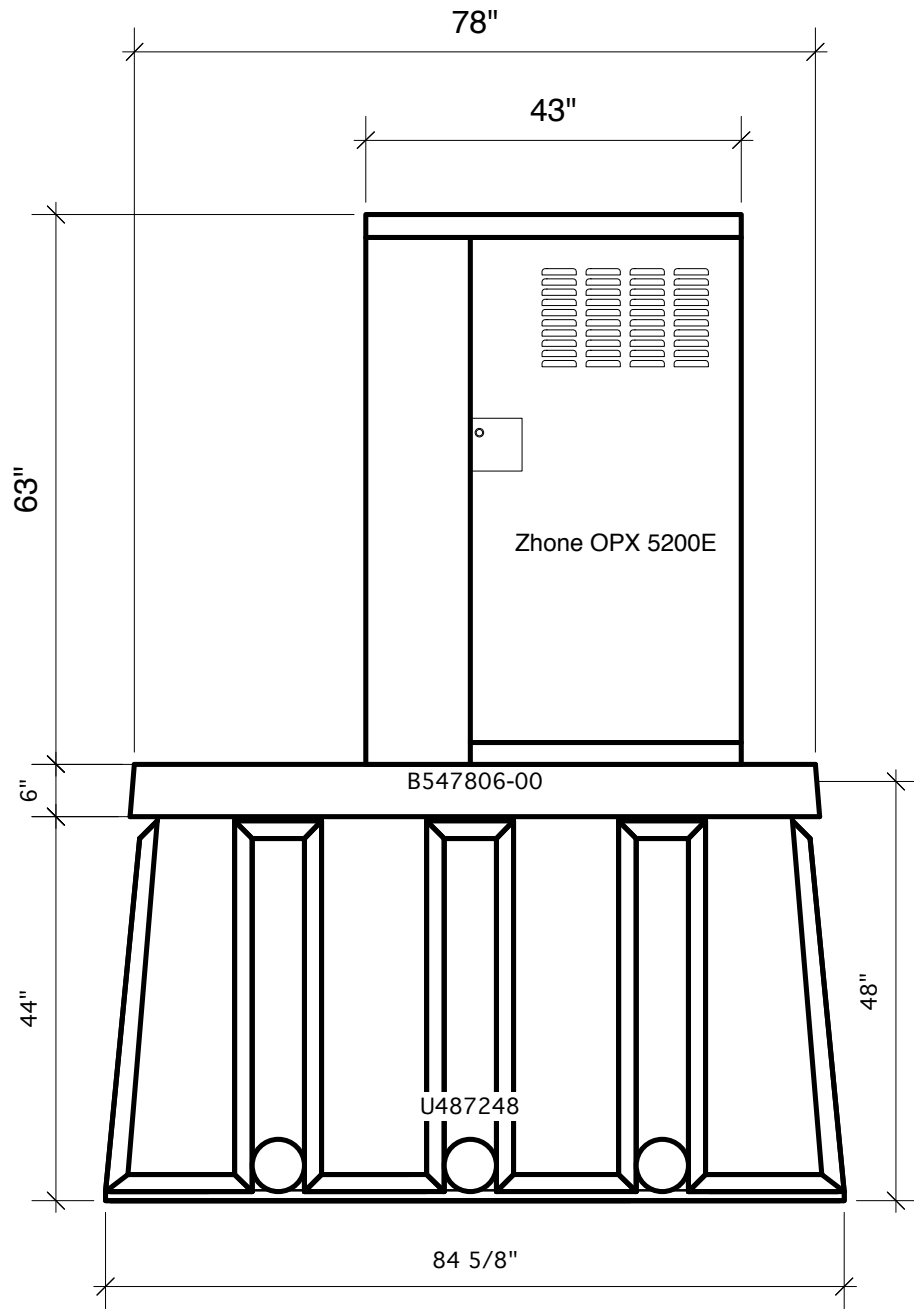


Drawing	J.01.K.G.1.500.A	MFG	Zhone
Drawn By	Marcela Hoversten	Cabinet	OPX 5200 E
Date	04/10/10	Foundation	B547806-00
Checked By	Brian Day	Vault	U487248
Date	00/00/00	Please check tunnelmill.com for the latest version of this drawing and for downloads in other drawing formats.	
Revision	A		
Revision Date	00/00/00		
Page	1 OF 8		

***Tunnel Mill  
Polymer, Inc.***

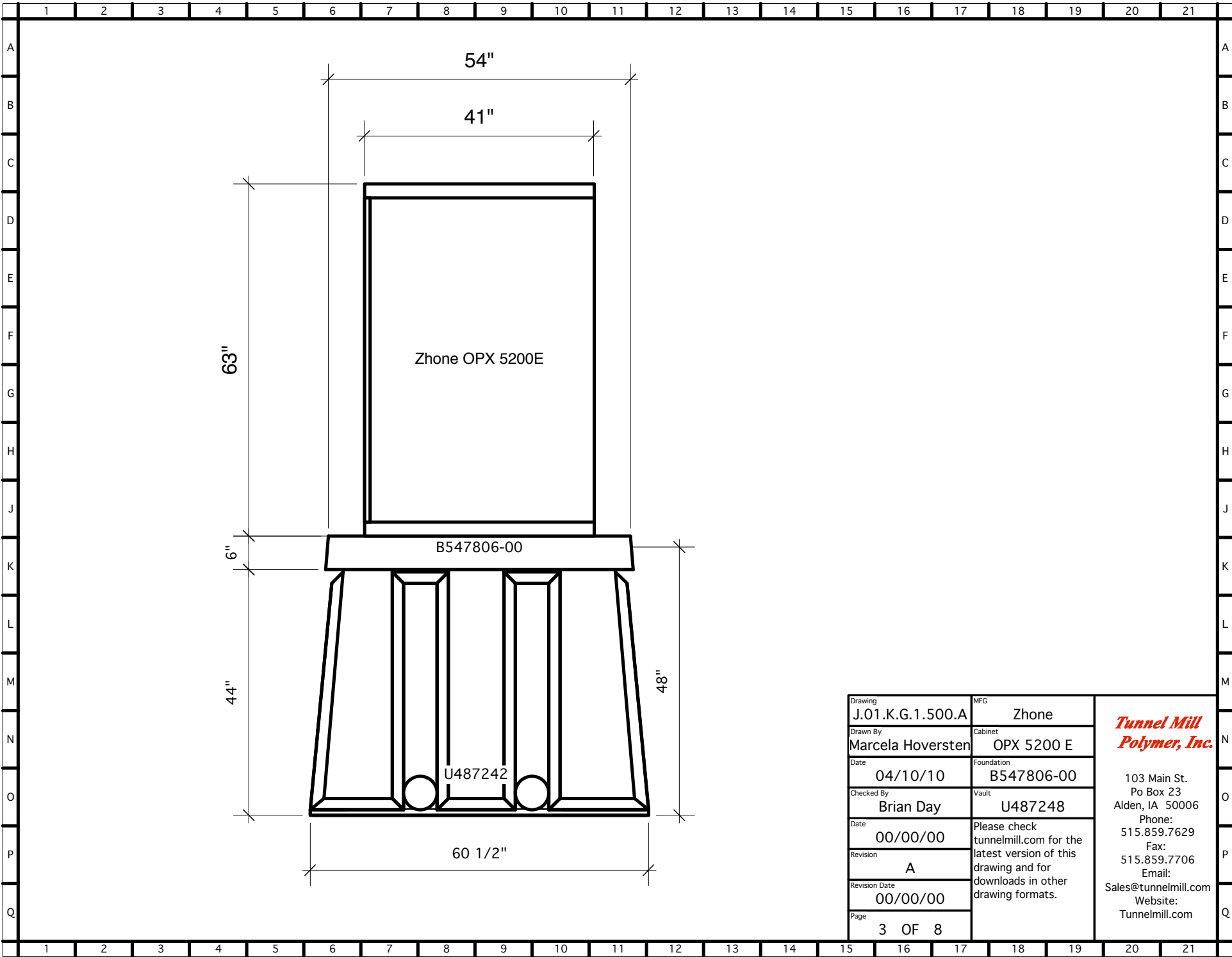
103 Main St.  
Po Box 23  
Alden, IA 50006  
Phone:  
515.859.7629  
Fax:  
515.859.7706  
Email:  
Sales@tunnelmill.com  
Website:  
Tunnelmill.com



Drawing	J.01.K.G.1.500.A	MFG	Zhone
Drawn By	Marcela Hoversten	Cabinet	OPX 5200 E
Date	04/10/10	Foundation	B547806-00
Checked By	Brian Day	Vault	U487248
Date	00/00/00	Please check tunnelmill.com for the latest version of this drawing and for downloads in other drawing formats.	
Revision	A		
Revision Date	00/00/00		
Page	2 OF 8		

***Tunnel Mill  
Polymer, Inc.***

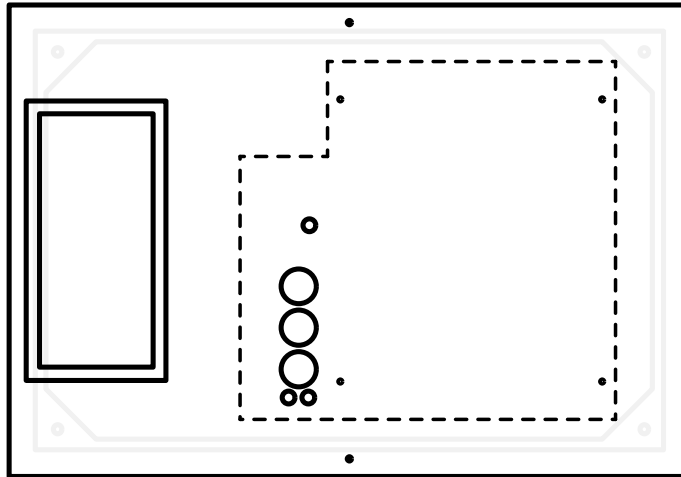
103 Main St.  
Po Box 23  
Alden, IA 50006  
Phone: 515.859.7629  
Fax: 515.859.7706  
Email: Sales@tunnelmill.com  
Website: Tunnelmill.com



Drawing	J.01.K.G.1.500.A	MFG	Zhone
Drawn By	Marcela Hoversten	Cabinet	OPX 5200 E
Date	04/10/10	Foundation	B547806-00
Checked By	Brian Day	Vault	U487248
Date	00/00/00	Please check tunnelmill.com for the latest version of this drawing and for downloads in other drawing formats.	
Revision	A		
Revision Date	00/00/00		
Page	3 OF 8		

***Tunnel Mill  
Polymer, Inc.***

103 Main St.  
Po Box 23  
Alden, IA 50006  
Phone:  
515.859.7629  
Fax:  
515.859.7706  
Email:  
Sales@tunnelmill.com  
Website:  
Tunnelmill.com



Drawing	J.01.K.G.1.500.A	MFG	Zhone	<b><i>Tunnel Mill Polymer, Inc.</i></b>  103 Main St. Po Box 23 Alden, IA 50006 Phone: 515.859.7629 Fax: 515.859.7706 Email: Sales@tunnelmill.com Website: Tunnelmill.com
Drawn By	Marcela Hoversten	Cabinet	OPX 5200 E	
Date	04/10/10	Foundation	B547806-00	
Checked By	Brian Day	Vault	U487248	
Date	00/00/00	Please check tunnelmill.com for the latest version of this drawing and for downloads in other drawing formats.		
Revision	A			
Revision Date	00/00/00			
Page	4 OF 8			