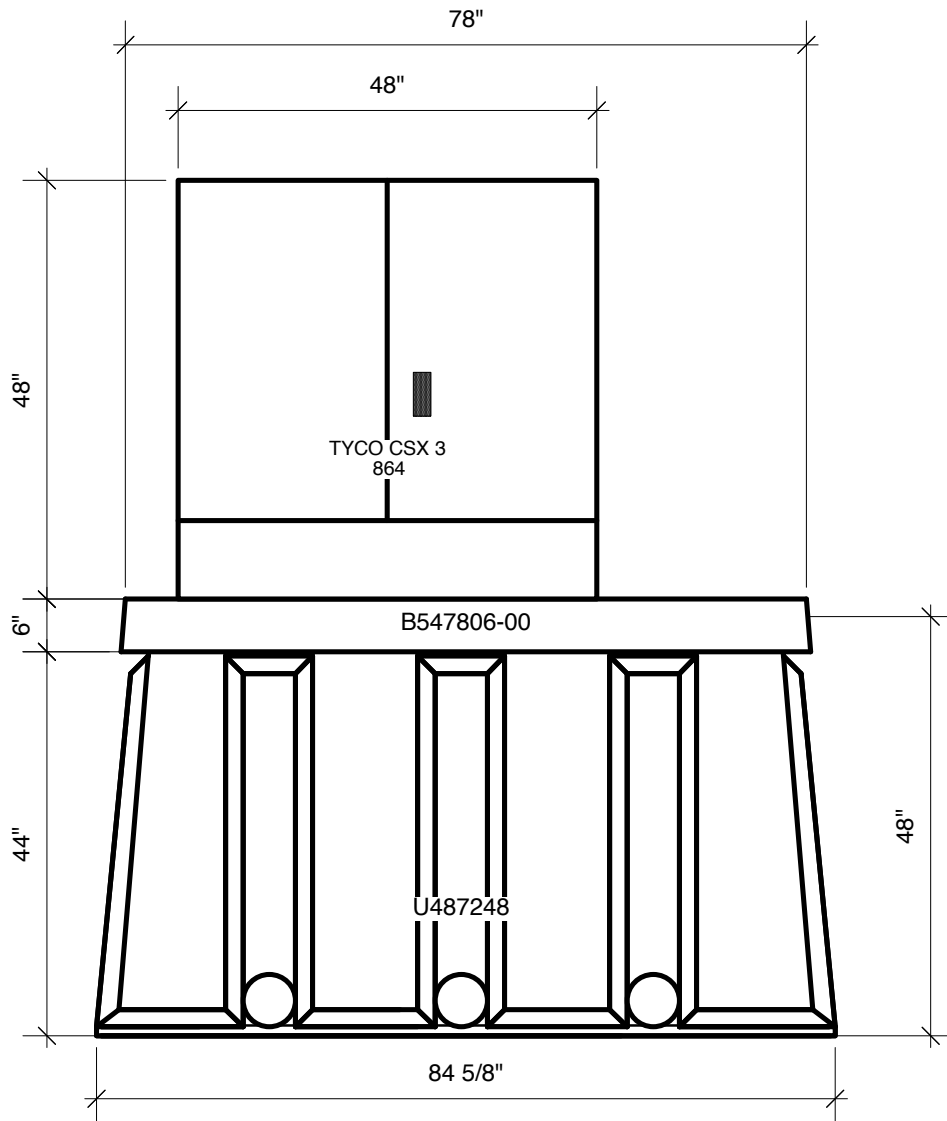


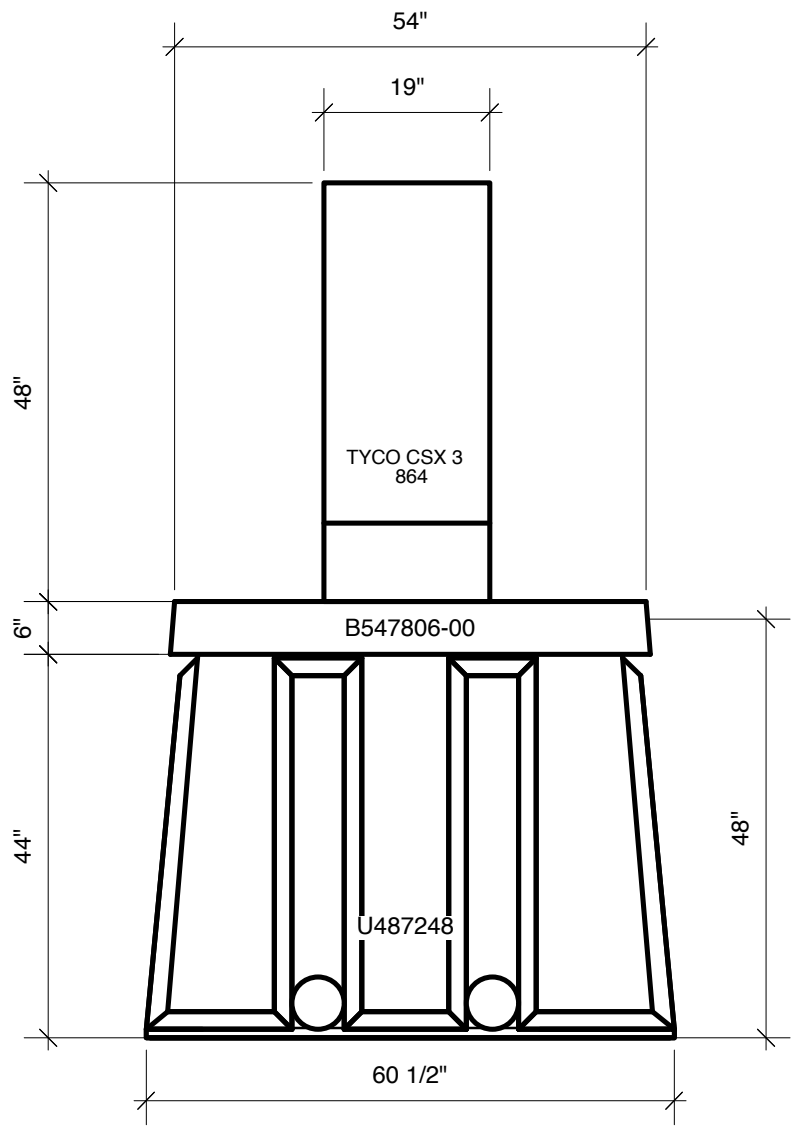
| | | | | |
|---------------|-------------------|--|------------|---|
| Drawing | P.04.K.G.1.222.A | MFG | Tyco | <i>Tunnel Mill Polymer, Inc.</i> 103 Main St. Po Box 23 Alden, IA 50006 Phone: 515.859.7629 Fax: 515.859.7706 Email: Sales@tunnelmill.com Website: Tunnelmill.com |
| Drawn By | Marcela Hoversten | Cabinet | CSX-3 864 | |
| Date | 04/27/10 | Foundation | B547806-00 | |
| Checked By | Brian Day | Vault | U487248 | |
| Date | 00/00/00 | Please check tunnelmill.com for the latest version of this drawing and for downloads in other drawing formats. | | |
| Revision | A | | | |
| Revision Date | 00/00/00 | | | |
| Page | 1 OF 8 | | | |



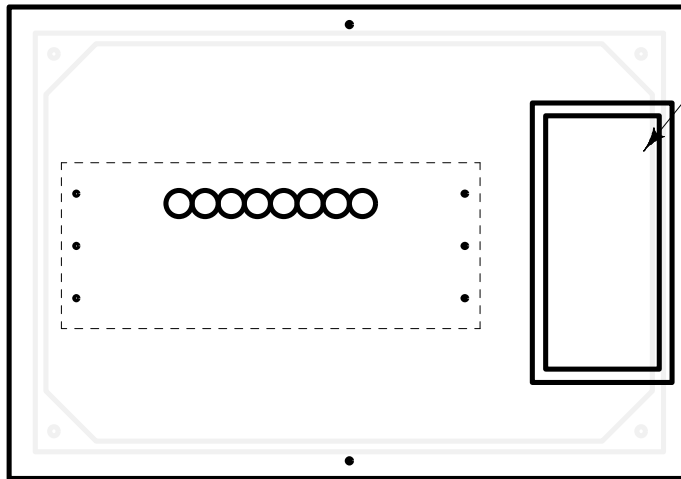
| | |
|-------------------------------|---|
| Drawing P.04.K.G.1.222.A | MFG Tyco |
| Drawn By Marcela Hoversten | Cabinet CSX-3 864 |
| Date 04/27/10 | Foundation B547806-00 |
| Checked By Brian Day | Vault U487248 |
| Date 00/00/00 | Please check tunnelmill.com for the latest version of this drawing and for downloads in other drawing formats. |
| Revision A | |
| Revision Date 00/00/00 | |
| Page 2 OF 8 | |

***Tunnel Mill
Polymer, Inc.***

103 Main St.
Po Box 23
Alden, IA 50006
Phone:
515.859.7629
Fax:
515.859.7706
Email:
Sales@tunnelmill.com
Website:
Tunnelmill.com



| | | | | |
|---------------|-------------------|--|------------|---|
| Drawing | P.04.K.G.1.222.A | MFG | Tyco | <i>Tunnel Mill Polymer, Inc.</i> 103 Main St. Po Box 23 Alden, IA 50006 Phone: 515.859.7629 Fax: 515.859.7706 Email: Sales@tunnelmill.com Website: Tunnelmill.com |
| Drawn By | Marcela Hoversten | Cabinet | CSX-3 864 | |
| Date | 04/27/10 | Foundation | B547806-00 | |
| Checked By | Brian Day | Vault | U487248 | |
| Date | 00/00/00 | Please check tunnelmill.com for the latest version of this drawing and for downloads in other drawing formats. | | |
| Revision | A | | | |
| Revision Date | 00/00/00 | | | |
| Page | 3 OF 8 | | | |



16" x 32" HATCH

| | | | | |
|---------------|-------------------|--|------------|---|
| Drawing | P.04.K.G.1.222.A | MFG | Tyco | <i>Tunnel Mill Polymer, Inc.</i> 103 Main St. Po Box 23 Alden, IA 50006 Phone: 515.859.7629 Fax: 515.859.7706 Email: Sales@tunnelmill.com Website: Tunnelmill.com |
| Drawn By | Marcela Hoversten | Cabinet | CSX-3 864 | |
| Date | 04/27/10 | Foundation | B547806-00 | |
| Checked By | Brian Day | Vault | U487248 | |
| Date | 00/00/00 | Please check tunnelmill.com for the latest version of this drawing and for downloads in other drawing formats. | | |
| Revision | A | | | |
| Revision Date | 00/00/00 | | | |
| Page | 4 OF 8 | | | |
| | | | | |