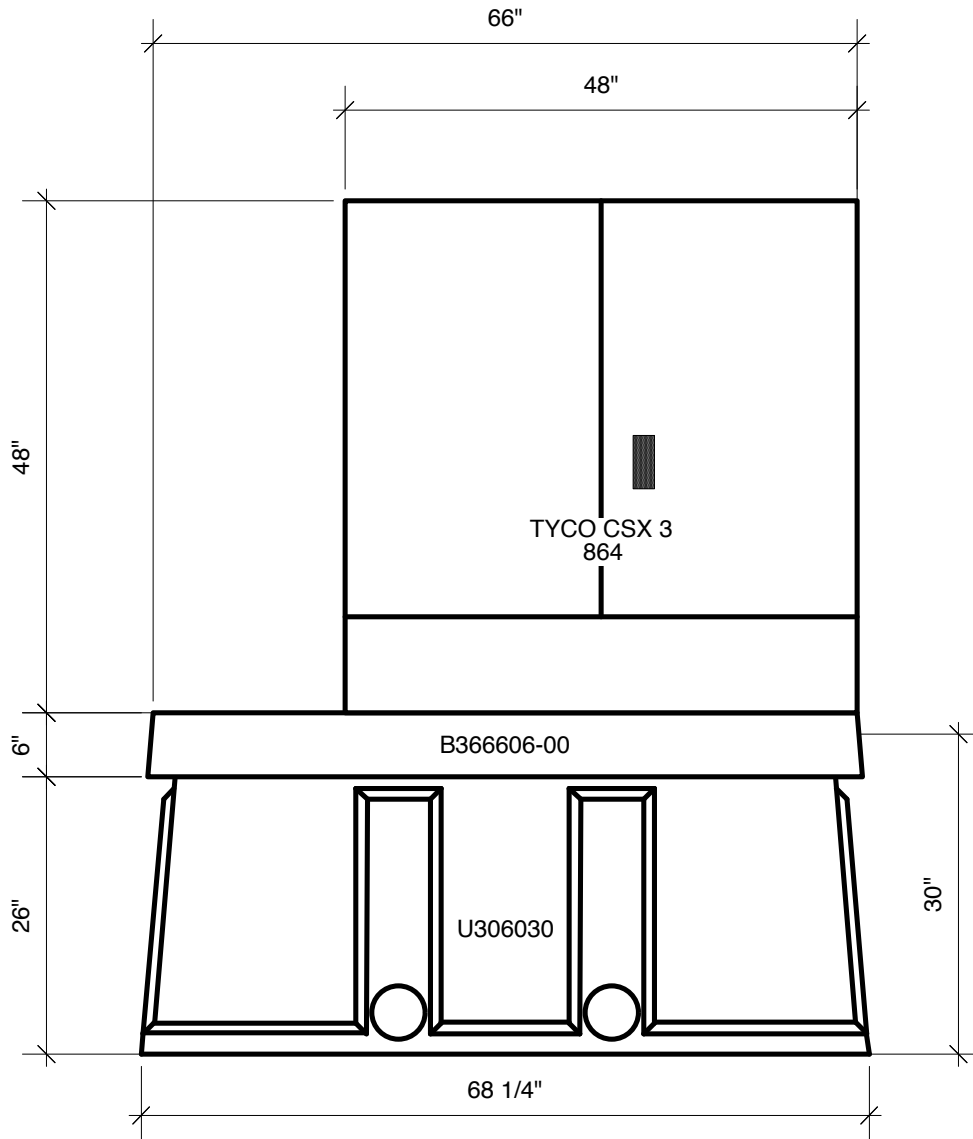


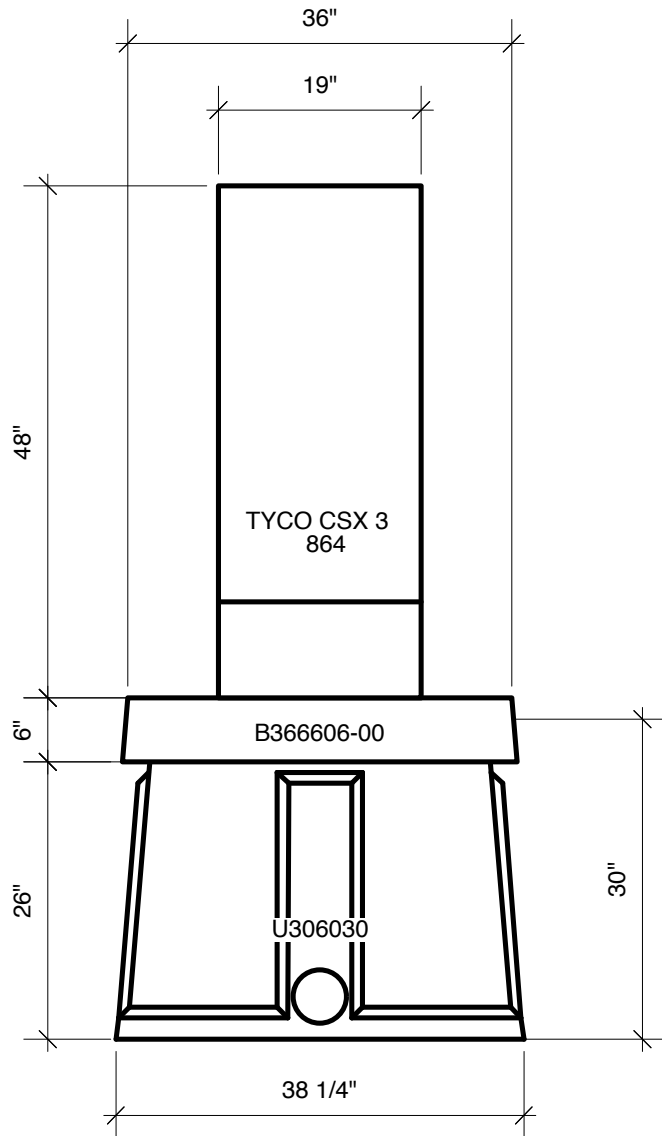
Drawing	P.04.F.F.1.220.A	MFG	Tyco	<b><i>Tunnel Mill Polymer, Inc.</i></b>  103 Main St. Po Box 23 Alden, IA 50006 Phone: 515.859.7629 Fax: 515.859.7706 Email: Sales@tunnelmill.com Website: Tunnelmill.com
Drawn By	Marcela Hoversten	Cabinet	CSX-3 864	
Date	03/27/10	Foundation	B366606-00	
Checked By	Brian Day	Vault	U306030	
Date	00/00/00	Please check tunnelmill.com for the latest version of this drawing and for downloads in other drawing formats.		
Revision	A			
Revision Date	00/00/00			
Page	1 OF 8			



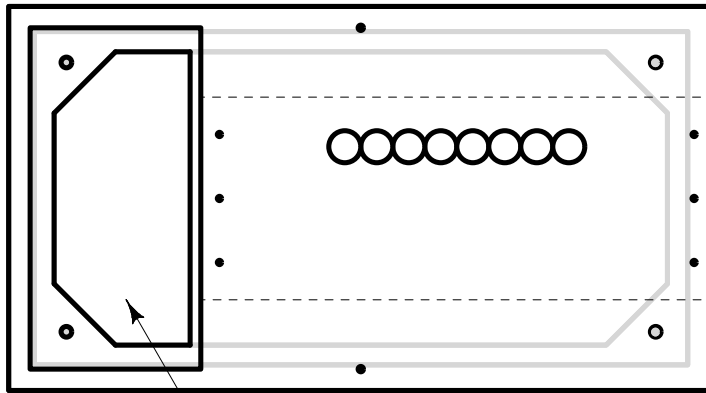
Drawing	P.04.F.F.1.220.A	MFG	Tyco
Drawn By	Marcela Hoversten	Cabinet	CSX-3 864
Date	03/27/10	Foundation	B366606-00
Checked By	Brian Day	Vault	U306030
Date	00/00/00	Please check tunnelmill.com for the latest version of this drawing and for downloads in other drawing formats.	
Revision	A		
Revision Date	00/00/00		
Page	2 OF 8		

***Tunnel Mill  
Polymer, Inc.***

103 Main St.  
Po Box 23  
Alden, IA 50006  
Phone: 515.859.7629  
Fax: 515.859.7706  
Email: Sales@tunnelmill.com  
Website: Tunnelmill.com



Drawing	P.04.F.F.1.220.A	MFG	Tyco	<b><i>Tunnel Mill Polymer, Inc.</i></b>  103 Main St. Po Box 23 Alden, IA 50006 Phone: 515.859.7629 Fax: 515.859.7706 Email: Sales@tunnelmill.com Website: Tunnelmill.com
Drawn By	Marcela Hoversten	Cabinet	CSX-3 864	
Date	03/27/10	Foundation	B366606-00	
Checked By	Brian Day	Vault	U306030	
Date	00/00/00	Please check tunnelmill.com for the latest version of this drawing and for downloads in other drawing formats.		
Revision	A			
Revision Date	00/00/00			
Page	3 OF 8			



16" x 32" HATCH

Drawing	MFG	<p><b><i>Tunnel Mill Polymer, Inc.</i></b></p> <p>103 Main St. Po Box 23 Alden, IA 50006 Phone: 515.859.7629 Fax: 515.859.7706 Email: Sales@tunnelmill.com Website: Tunnelmill.com</p>
P.04.F.F.1.220.A	Tyco	
Drawn By	Cabinet	
Marcela Hoversten	CSX-3 864	
Date	Foundation	
03/27/10	B366606-00	
Checked By	Vault	
Brian Day	U306030	
Date	Please check tunnelmill.com for the latest version of this drawing and for downloads in other drawing formats.	
00/00/00		
Revision		
A		
Revision Date		
00/00/00		
Page		
4 OF 8		