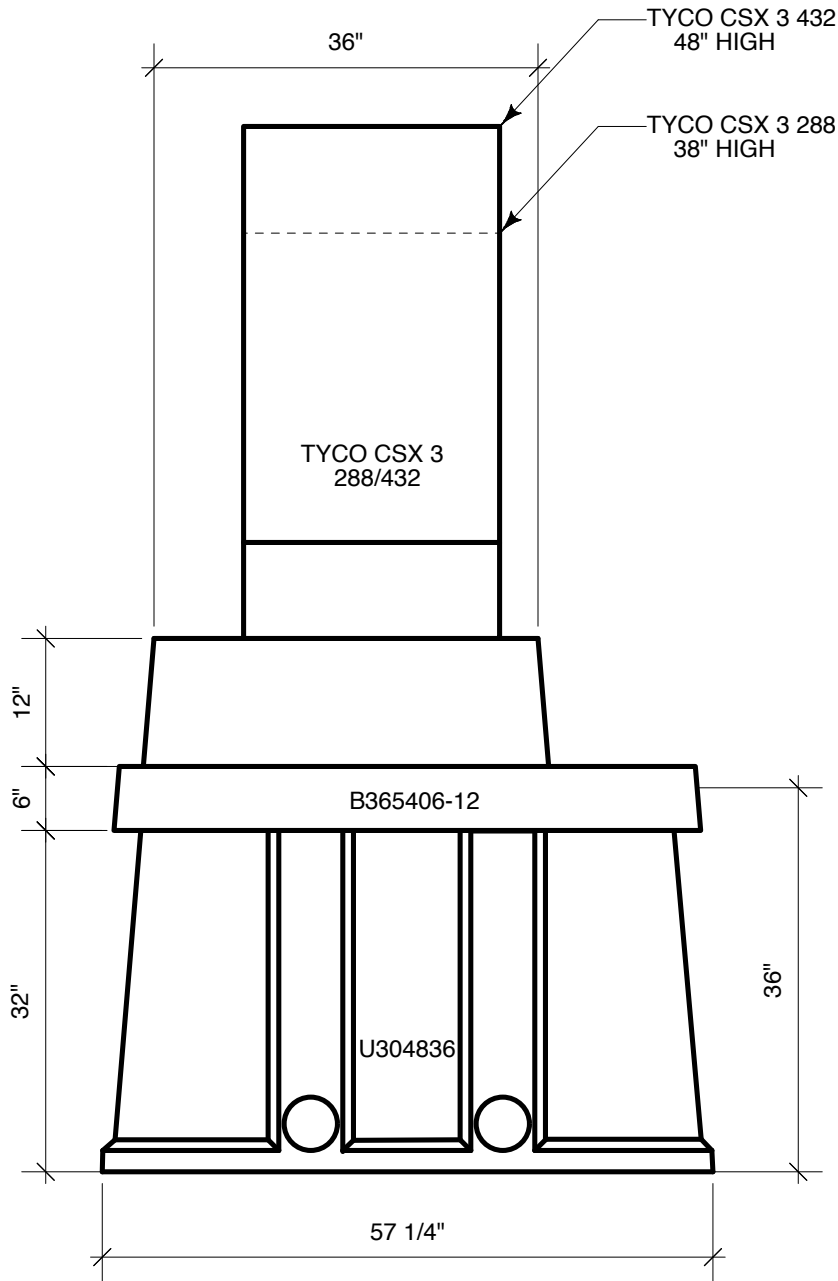


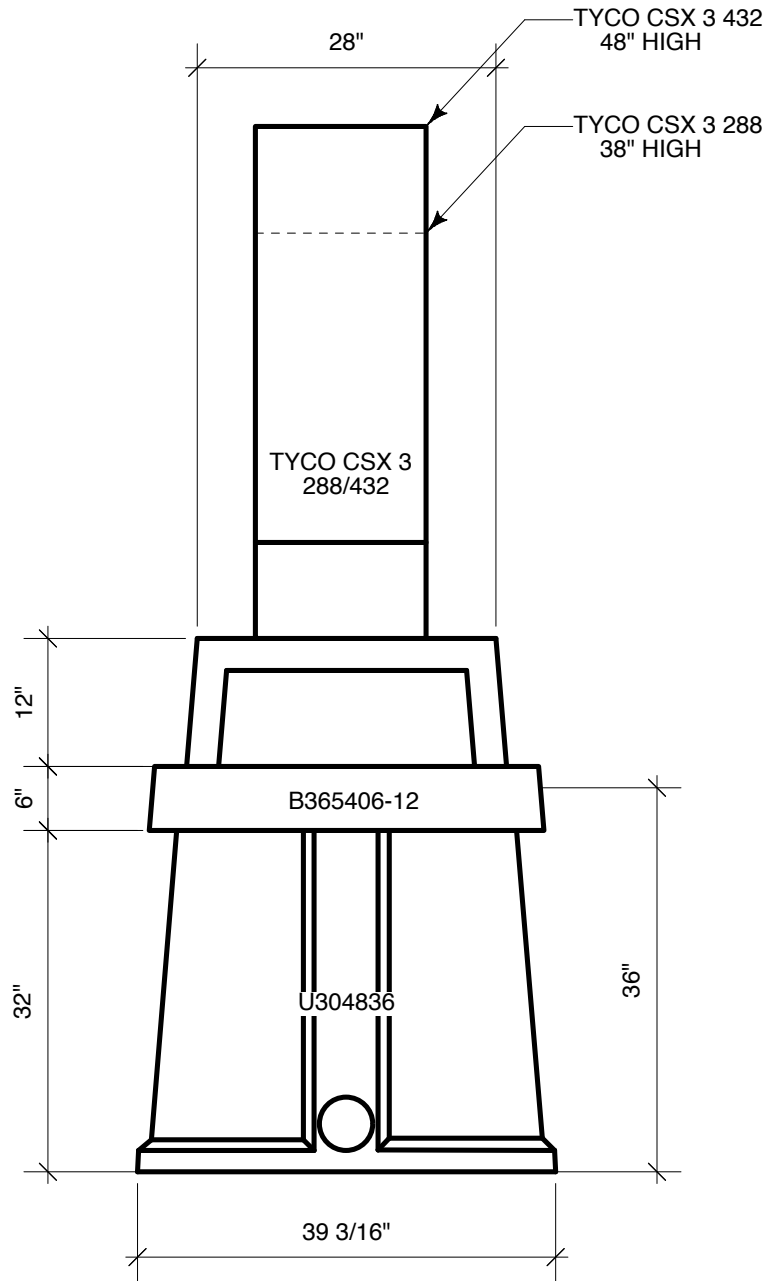
| | | | | |
|---------------|-------------------|--|---------------|---|
| Drawing | P.02.D.E.1.214.A | MFG | Tyco | <i>Tunnel Mill Polymer, Inc.</i> 103 Main St. Po Box 23 Alden, IA 50006 Phone: 515.859.7629 Fax: 515.859.7706 Email: Sales@tunnelmill.com Website: Tunnelmill.com |
| Drawn By | Marcela Hoversten | Cabinet | CSX-3 288/432 | |
| Date | 03/26/10 | Foundation | B365406-12_ST | |
| Checked By | Brian Day | Vault | U304836 | |
| Date | 00/00/00 | Please check tunnelmill.com for the latest version of this drawing and for downloads in other drawing formats. | | |
| Revision | A | | | |
| Revision Date | 00/00/00 | | | |
| Page | 1 OF 8 | | | |
| | | | | |



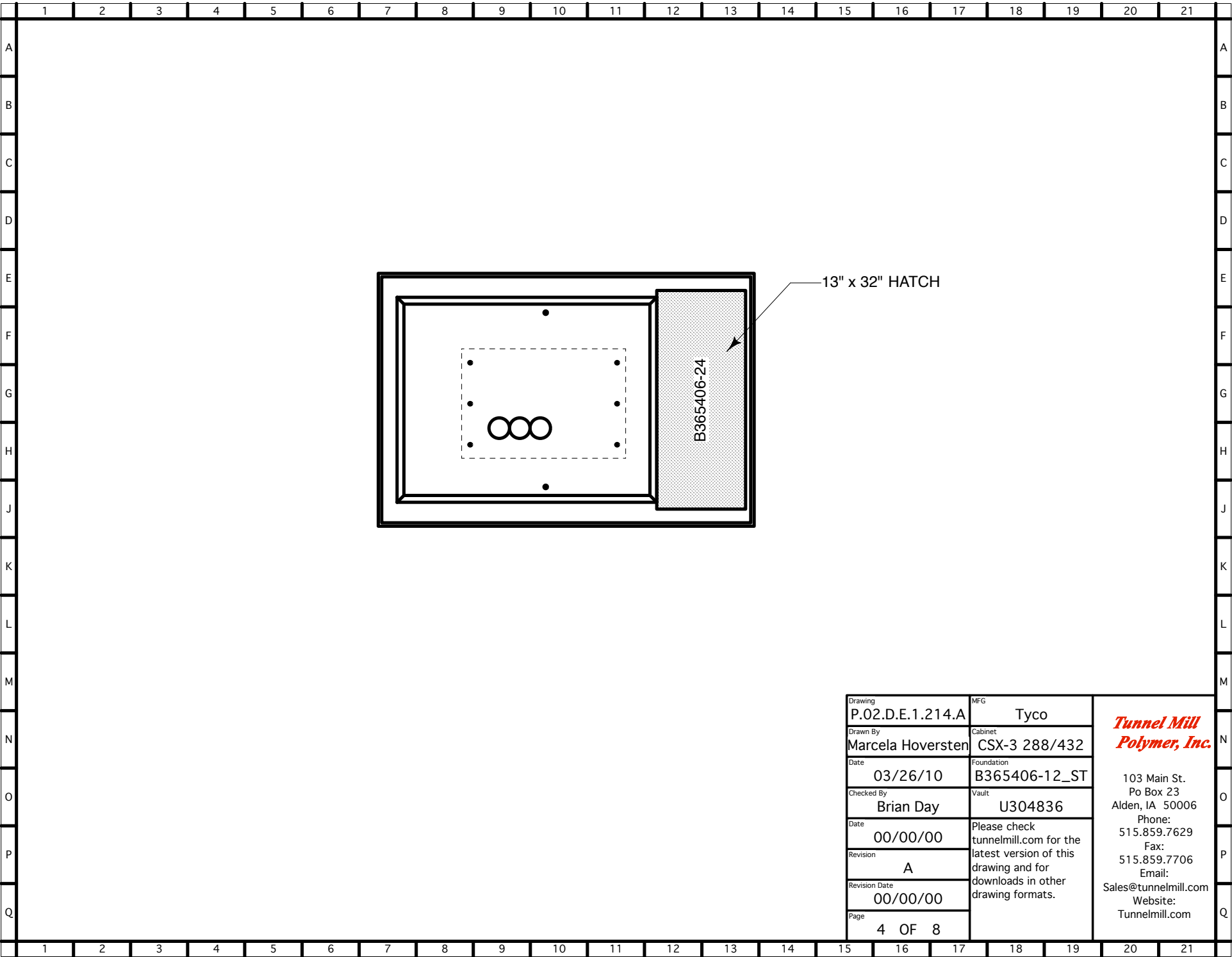
| | | | |
|---------------|-------------------|--|---------------|
| Drawing | P.02.D.E.1.214.A | MFG | Tyco |
| Drawn By | Marcela Hoversten | Cabinet | CSX-3 288/432 |
| Date | 03/26/10 | Foundation | B365406-12_ST |
| Checked By | Brian Day | Vault | U304836 |
| Date | 00/00/00 | Please check tunnelmill.com for the latest version of this drawing and for downloads in other drawing formats. | |
| Revision | A | | |
| Revision Date | 00/00/00 | | |
| Page | 2 OF 8 | | |

**Tunnel Mill
 Polymer, Inc.**

103 Main St.
 Po Box 23
 Alden, IA 50006
 Phone:
 515.859.7629
 Fax:
 515.859.7706
 Email:
 Sales@tunnelmill.com
 Website:
 Tunnelmill.com



| | | | | |
|---------------|-------------------|--|---------------|---|
| Drawing | P.02.D.E.1.214.A | MFG | Tyco | <i>Tunnel Mill Polymer, Inc.</i> 103 Main St. Po Box 23 Alden, IA 50006 Phone: 515.859.7629 Fax: 515.859.7706 Email: Sales@tunnelmill.com Website: Tunnelmill.com |
| Drawn By | Marcela Hoversten | Cabinet | CSX-3 288/432 | |
| Date | 03/26/10 | Foundation | B365406-12_ST | |
| Checked By | Brian Day | Vault | U304836 | |
| Date | 00/00/00 | Please check tunnelmill.com for the latest version of this drawing and for downloads in other drawing formats. | | |
| Revision | A | | | |
| Revision Date | 00/00/00 | | | |
| Page | 3 OF 8 | | | |



| | | | | |
|---------------|-------------------|--|---------------|---|
| Drawing | P.02.D.E.1.214.A | MFG | Tyco | <i>Tunnel Mill Polymer, Inc.</i> 103 Main St. Po Box 23 Alden, IA 50006 Phone: 515.859.7629 Fax: 515.859.7706 Email: Sales@tunnelmill.com Website: Tunnelmill.com |
| Drawn By | Marcela Hoversten | Cabinet | CSX-3 288/432 | |
| Date | 03/26/10 | Foundation | B365406-12_ST | |
| Checked By | Brian Day | Vault | U304836 | |
| Date | 00/00/00 | Please check tunnelmill.com for the latest version of this drawing and for downloads in other drawing formats. | | |
| Revision | A | | | |
| Revision Date | 00/00/00 | | | |
| Page | 4 OF 8 | | | |