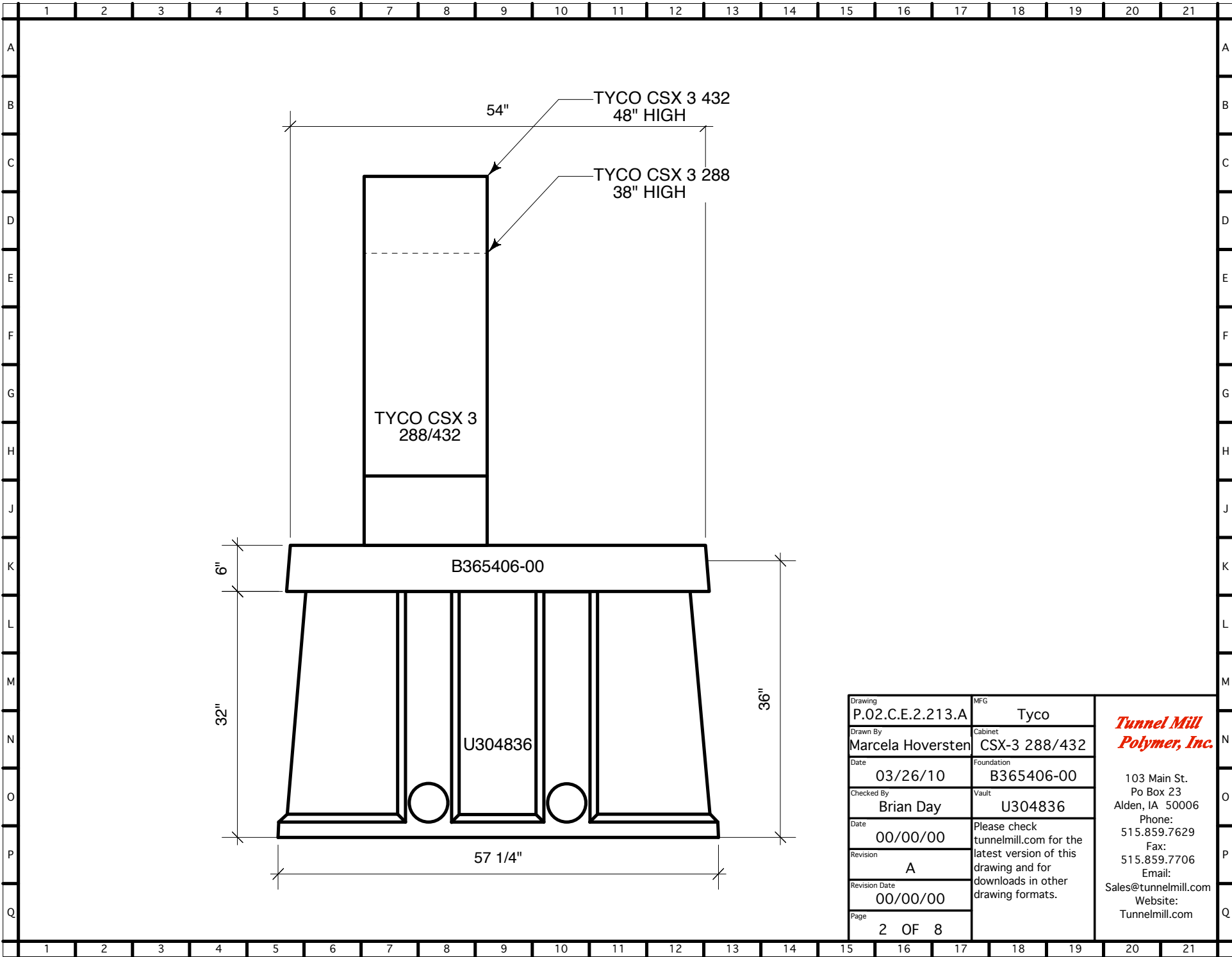
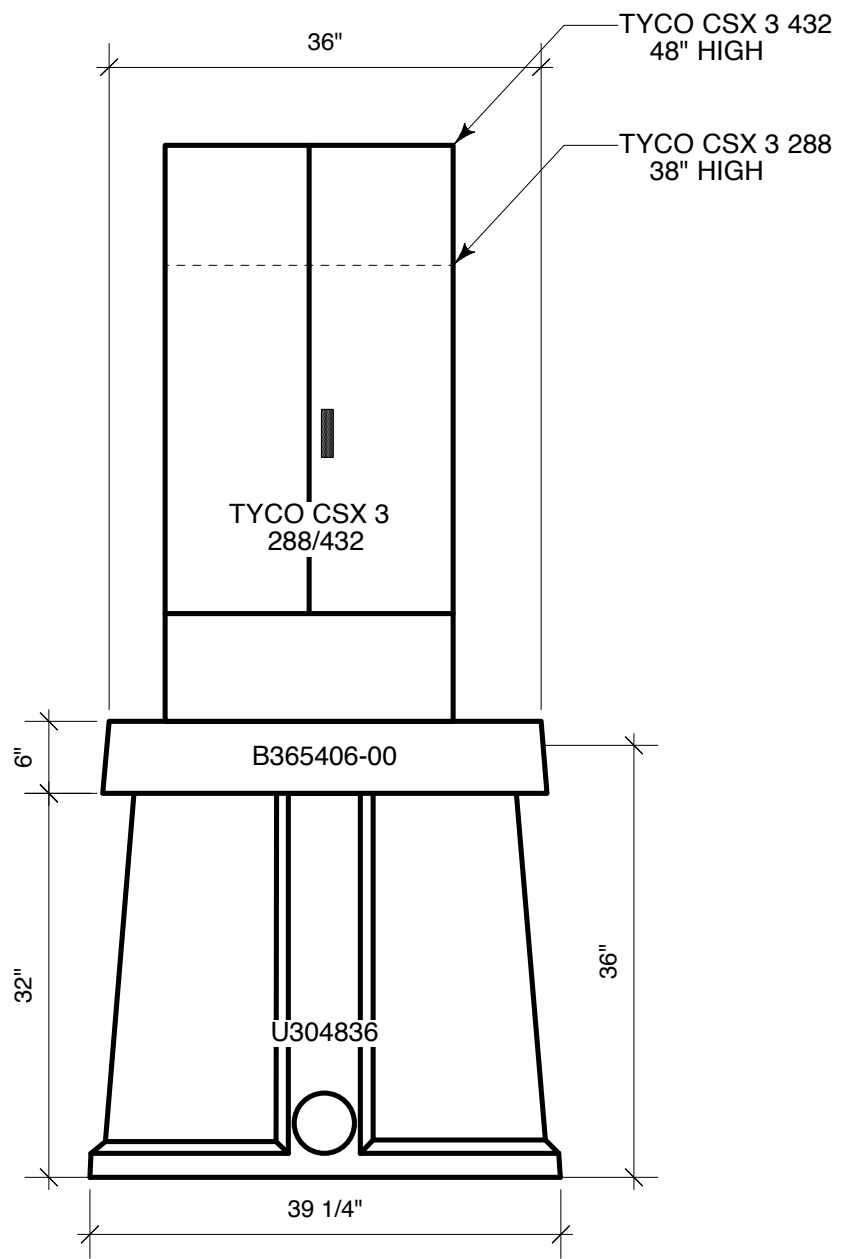


Drawing	P.02.C.E.2.213.A	MFG	Tyco	<i>Tunnel Mill Polymer, Inc.</i> 103 Main St. Po Box 23 Alden, IA 50006 Phone: 515.859.7629 Fax: 515.859.7706 Email: Sales@tunnelmill.com Website: Tunnelmill.com
Drawn By	Marcela Hoversten	Cabinet	CSX-3 288/432	
Date	03/26/10	Foundation	B365406-00	
Checked By	Brian Day	Vault	U304836	
Date	00/00/00	Please check tunnelmill.com for the latest version of this drawing and for downloads in other drawing formats.		
Revision	A			
Revision Date	00/00/00			
Page	1 OF 8			



Drawing	MFG
P.02.C.E.2.213.A	Tyco
Drawn By	Cabinet
Marcela Hoversten	CSX-3 288/432
Date	Foundation
03/26/10	B365406-00
Checked By	Vault
Brian Day	U304836
Date	Please check tunnelmill.com for the latest version of this drawing and for downloads in other drawing formats.
Revision	
A	
Revision Date	Sales@tunnelmill.com Website: Tunnelmill.com
00/00/00	
Page	
2 OF 8	

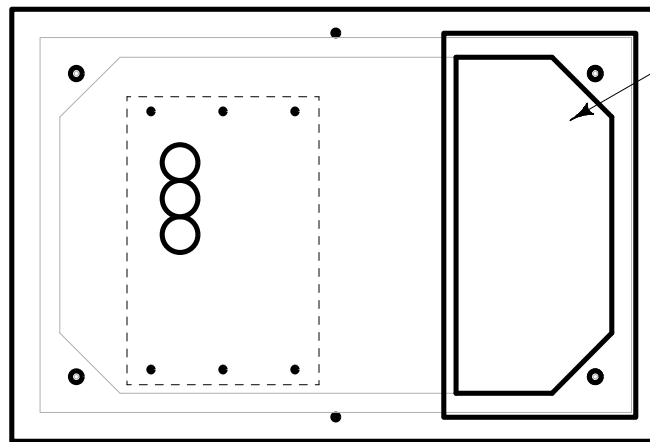
**Tunnel Mill
Polymer, Inc.**
 103 Main St.
 Po Box 23
 Alden, IA 50006
 Phone:
 515.859.7629
 Fax:
 515.859.7706
 Email:
 Sales@tunnelmill.com
 Website:
 Tunnelmill.com



Drawing	P.02.C.E.2.213.A	MFG	Tyco
Drawn By	Marcela Hoversten	Cabinet	CSX-3 288/432
Date	03/26/10	Foundation	B365406-00
Checked By	Brian Day	Vault	U304836
Date	00/00/00	Please check tunnelmill.com for the latest version of this drawing and for downloads in other drawing formats.	
Revision	A		
Revision Date	00/00/00		
Page	3 OF 8		

***Tunnel Mill
Polymer, Inc.***

103 Main St.
Po Box 23
Alden, IA 50006
Phone:
515.859.7629
Fax:
515.859.7706
Email:
Sales@tunnelmill.com
Website:
Tunnelmill.com



16" x 32" HATCH

Drawing	P.02.C.E.2.213.A	MFG	Tyco	<i>Tunnel Mill Polymer, Inc.</i> 103 Main St. Po Box 23 Alden, IA 50006 Phone: 515.859.7629 Fax: 515.859.7706 Email: Sales@tunnelmill.com Website: Tunnelmill.com
Drawn By	Marcela Hoversten	Cabinet	CSX-3 288/432	
Date	03/26/10	Foundation	B365406-00	
Checked By	Brian Day	Vault	U304836	
Date	00/00/00	Please check tunnelmill.com for the latest version of this drawing and for downloads in other drawing formats.		
Revision	A			
Revision Date	00/00/00			
Page	4 OF 8			