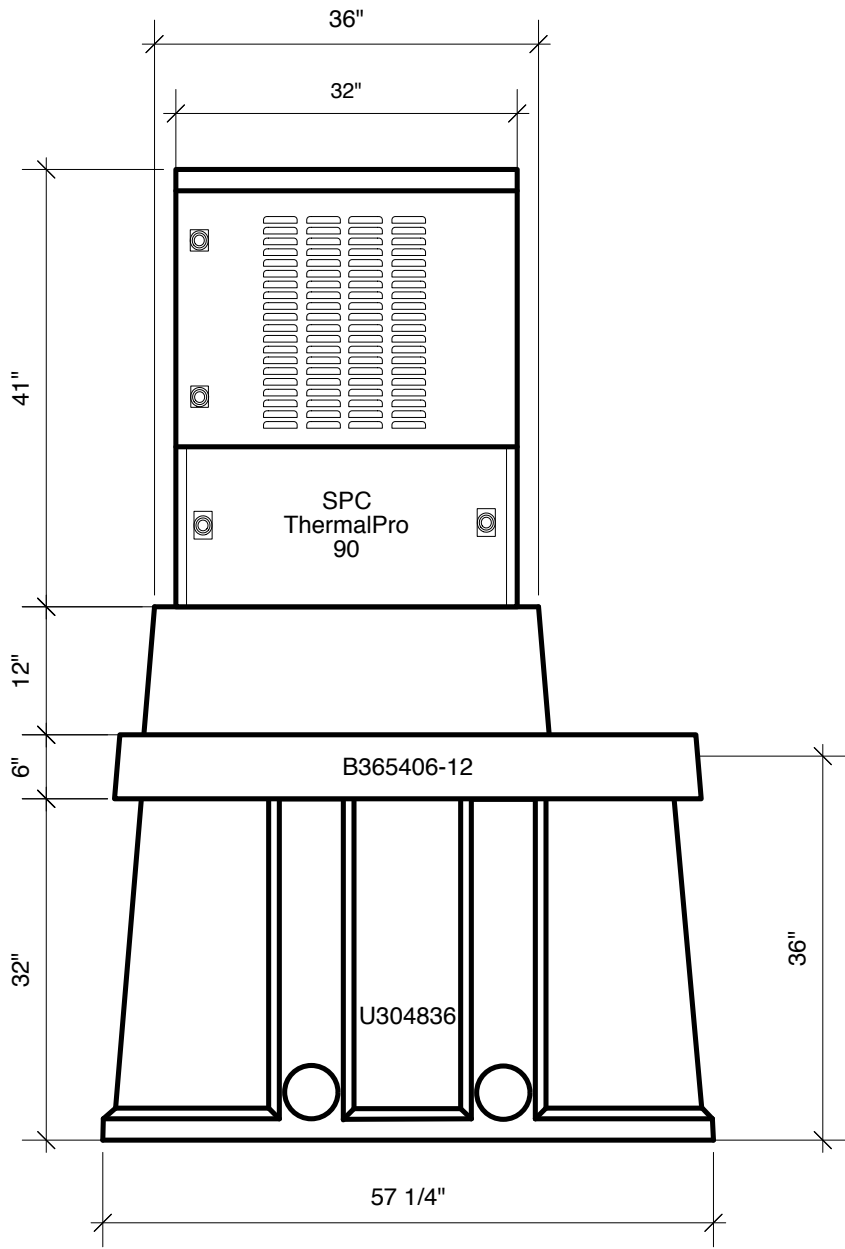
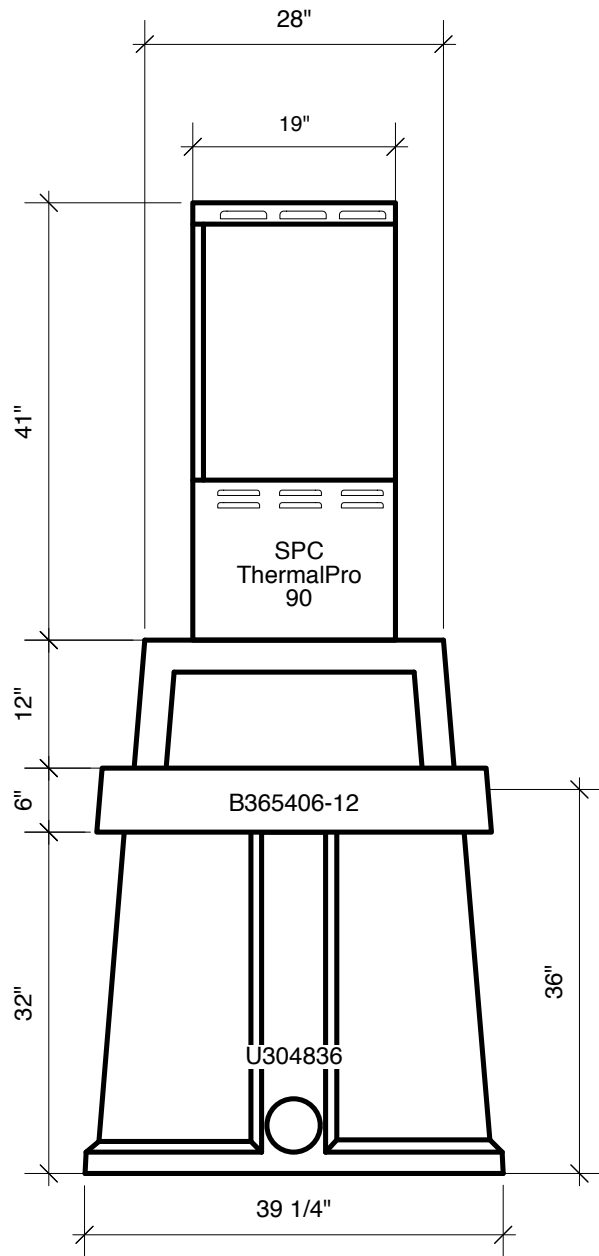


Drawing	MFG	<p><b><i>Tunnel Mill Polymer, Inc.</i></b></p> <p>103 Main St. Po Box 23 Alden, IA 50006 Phone: 515.859.7629 Fax: 515.859.7706 Email: Sales@tunnelmill.com Website: Tunnelmill.com</p>
D.06.D.E.1.1502.A	SPC	
Drawn By	Cabinet	
Marcela Hoversten	ThermalPro 90	
Date	Foundation	
07/13/10	B365406-12	
Checked By	Vault	
Brian Day	U304836	
Date	Please check tunnelmill.com for the latest version of this drawing and for downloads in other drawing formats.	
00/00/00		
Revision		
A		
Revision Date		
00/00/00		
Page		
1 OF 8		

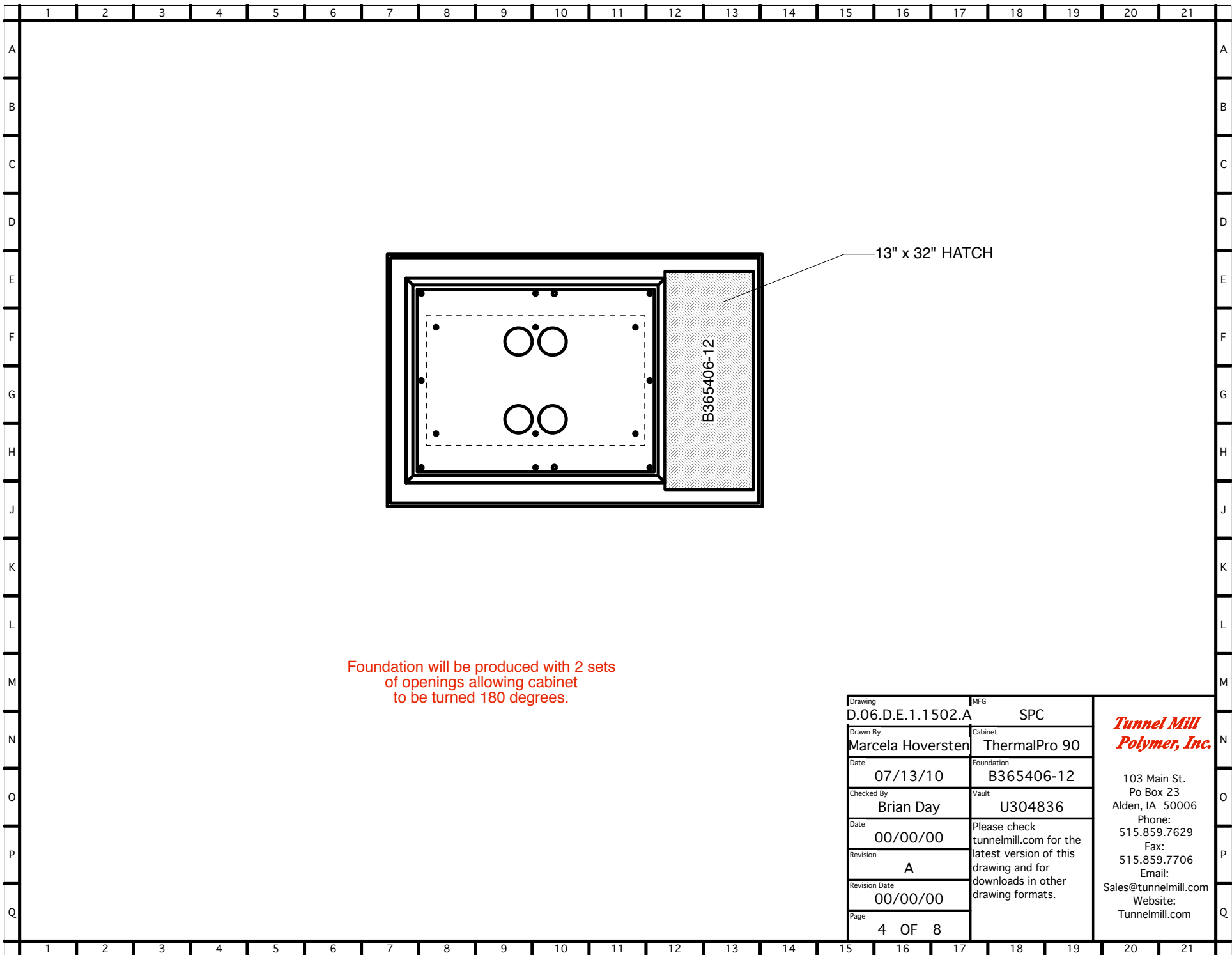


Drawing	D.06.D.E.1.1502.A	MFG	SPC
Drawn By	Marcela Hoversten	Cabinet	ThermalPro 90
Date	07/13/10	Foundation	B365406-12
Checked By	Brian Day	Vault	U304836
Date	00/00/00	Please check tunnelmill.com for the latest version of this drawing and for downloads in other drawing formats.	
Revision	A		
Revision Date	00/00/00		
Page	2 OF 8		

***Tunnel Mill  
Polymer, Inc.***  
 103 Main St.  
 Po Box 23  
 Alden, IA 50006  
 Phone: 515.859.7629  
 Fax: 515.859.7706  
 Email: Sales@tunnelmill.com  
 Website: Tunnelmill.com



Drawing	MFG	<p><b><i>Tunnel Mill Polymer, Inc.</i></b></p> <p>103 Main St. Po Box 23 Alden, IA 50006 Phone: 515.859.7629 Fax: 515.859.7706 Email: Sales@tunnelmill.com Website: Tunnelmill.com</p>
D.06.D.E.1.1502.A	SPC	
Drawn By	Cabinet	
Marcela Hoversten	ThermalPro 90	
Date	Foundation	
07/13/10	B365406-12	
Checked By	Vault	
Brian Day	U304836	
Date	Please check tunnelmill.com for the latest version of this drawing and for downloads in other drawing formats.	
00/00/00		
Revision		
A		
Revision Date		
00/00/00		
Page		
3 OF 8		



Foundation will be produced with 2 sets of openings allowing cabinet to be turned 180 degrees.

Drawing	D.06.D.E.1.1502.A	MFG	SPC	<b><i>Tunnel Mill Polymer, Inc.</i></b>  103 Main St. Po Box 23 Alden, IA 50006 Phone: 515.859.7629 Fax: 515.859.7706 Email: Sales@tunnelmill.com Website: Tunnelmill.com
Drawn By	Marcela Hoversten	Cabinet	ThermalPro 90	
Date	07/13/10	Foundation	B365406-12	
Checked By	Brian Day	Vault	U304836	
Date	00/00/00	Please check tunnelmill.com for the latest version of this drawing and for downloads in other drawing formats.		
Revision	A			
Revision Date	00/00/00			
Page	4 OF 8			