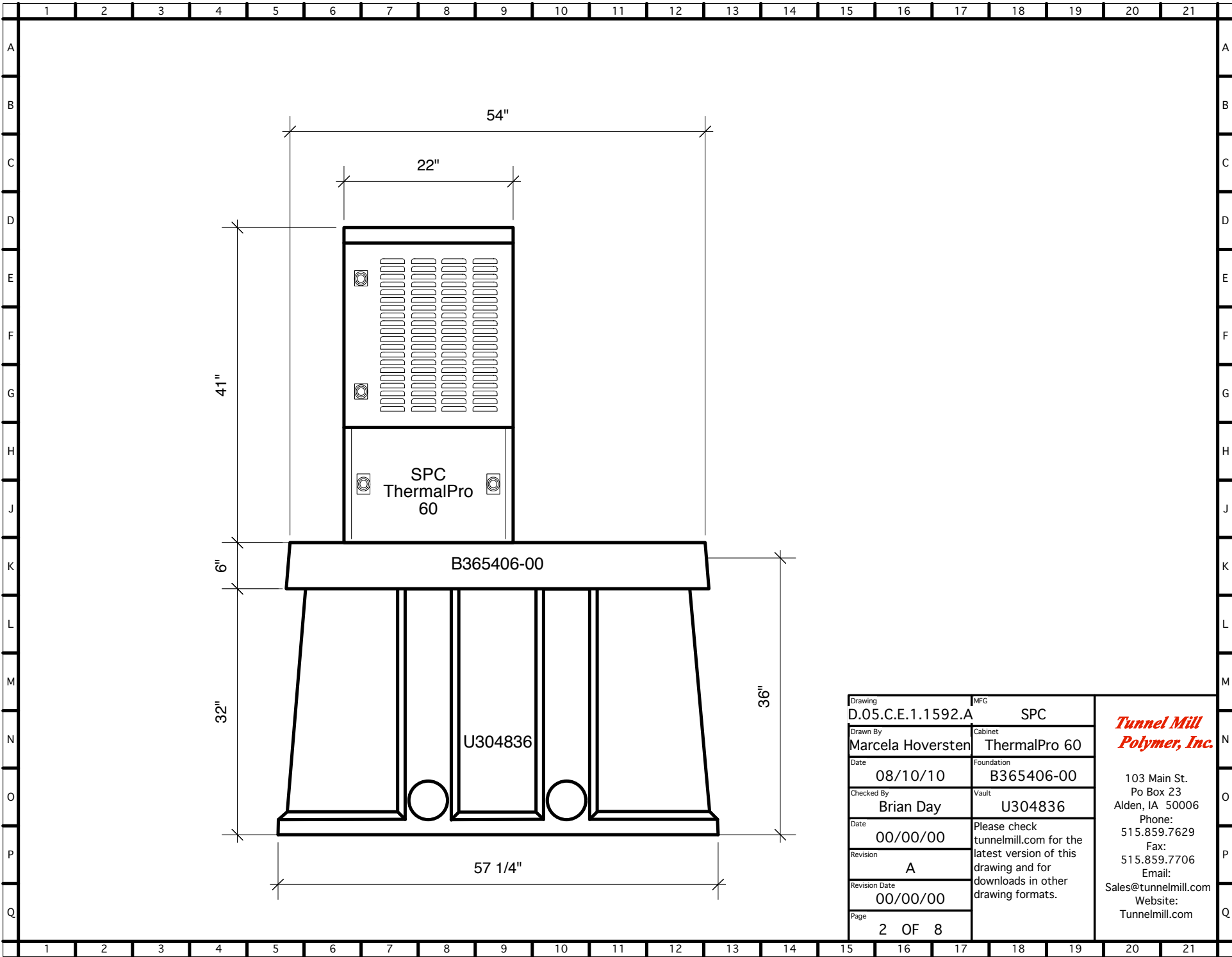


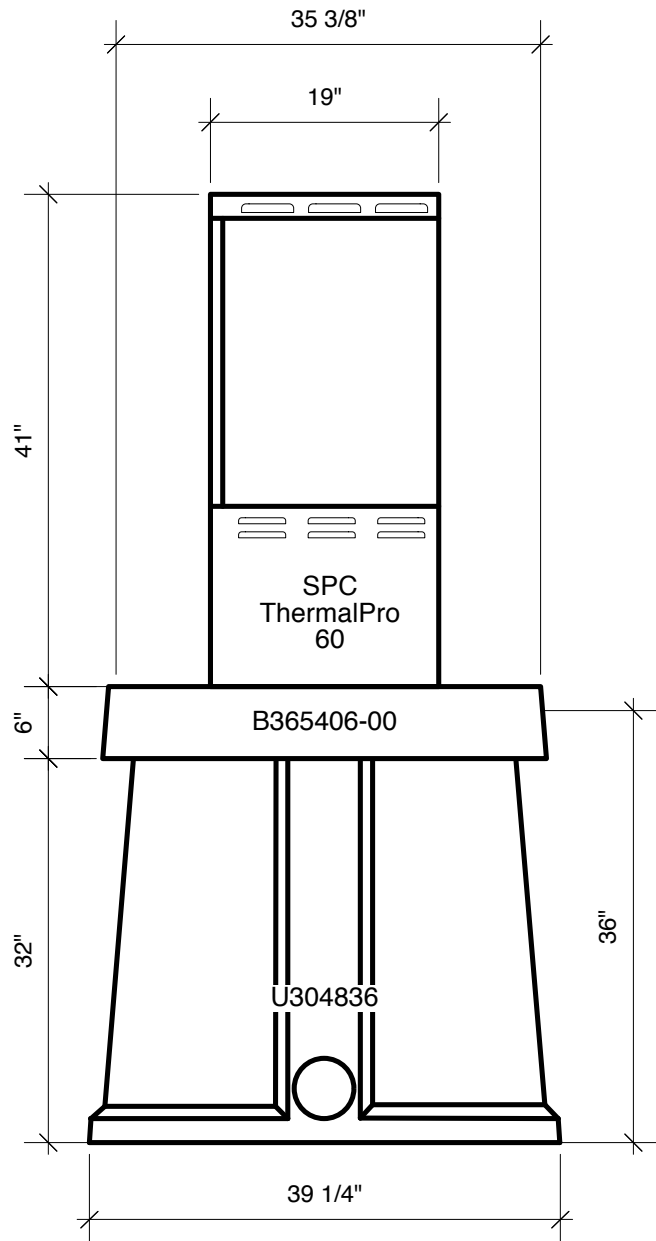
Drawing	MFG	<p><i>Tunnel Mill Polymer, Inc.</i></p> <p>103 Main St. Po Box 23 Alden, IA 50006 Phone: 515.859.7629 Fax: 515.859.7706 Email: Sales@tunnelmill.com Website: Tunnelmill.com</p>
D.05.C.E.1.1592.A	SPC	
Drawn By	Cabinet	
Marcela Hoversten	ThermalPro 60	
Date	Foundation	
08/10/10	B365406-00	
Checked By	Vault	
Brian Day	U304836	
Date	Please check tunnelmill.com for the latest version of this drawing and for downloads in other drawing formats.	
00/00/00		
Revision		
A		
Revision Date		
00/00/00		
Page		
1 OF 8		



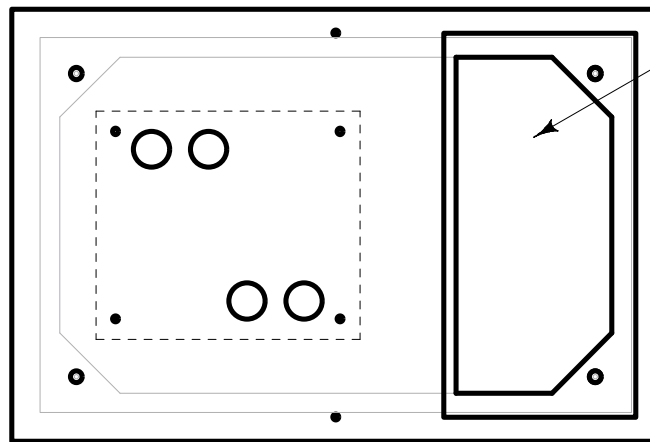
Drawing	D.05.C.E.1.1592.A	MFG	SPC
Drawn By	Marcela Hoversten	Cabinet	ThermalPro 60
Date	08/10/10	Foundation	B365406-00
Checked By	Brian Day	Vault	U304836
Date	00/00/00	Please check tunnelmill.com for the latest version of this drawing and for downloads in other drawing formats.	
Revision	A		
Revision Date	00/00/00		
Page	2 OF 8		

***Tunnel Mill
Polymer, Inc.***

103 Main St.
Po Box 23
Alden, IA 50006
Phone: 515.859.7629
Fax: 515.859.7706
Email: Sales@tunnelmill.com
Website: Tunnelmill.com



Drawing	MFG	<p><i>Tunnel Mill Polymer, Inc.</i></p> <p>103 Main St. Po Box 23 Alden, IA 50006 Phone: 515.859.7629 Fax: 515.859.7706 Email: Sales@tunnelmill.com Website: Tunnelmill.com</p>
D.05.C.E.1.1592.A	SPC	
Drawn By	Cabinet	
Marcela Hoversten	ThermalPro 60	
Date	Foundation	
08/10/10	B365406-00	
Checked By	Vault	
Brian Day	U304836	
Date	Please check tunnelmill.com for the latest version of this drawing and for downloads in other drawing formats.	
00/00/00		
Revision		
A		
Revision Date		
00/00/00		
Page		
3 OF 8		



16" x 32" HATCH

Foundation will be produced with 2 sets of openings allowing cabinet to be turned 180 degrees.

Drawing	D.05.C.E.1.1592.A	MFG	SPC	<p><i>Tunnel Mill Polymer, Inc.</i></p> <p>103 Main St. Po Box 23 Alden, IA 50006 Phone: 515.859.7629 Fax: 515.859.7706 Email: Sales@tunnelmill.com Website: Tunnelmill.com</p>
Drawn By	Marcela Hoversten	Cabinet	ThermalPro 60	
Date	08/10/10	Foundation	B365406-00	
Checked By	Brian Day	Vault	U304836	
Date	00/00/00	Please check tunnelmill.com for the latest version of this drawing and for downloads in other drawing formats.		
Revision	A			
Revision Date	00/00/00			
Page	4 OF 8			