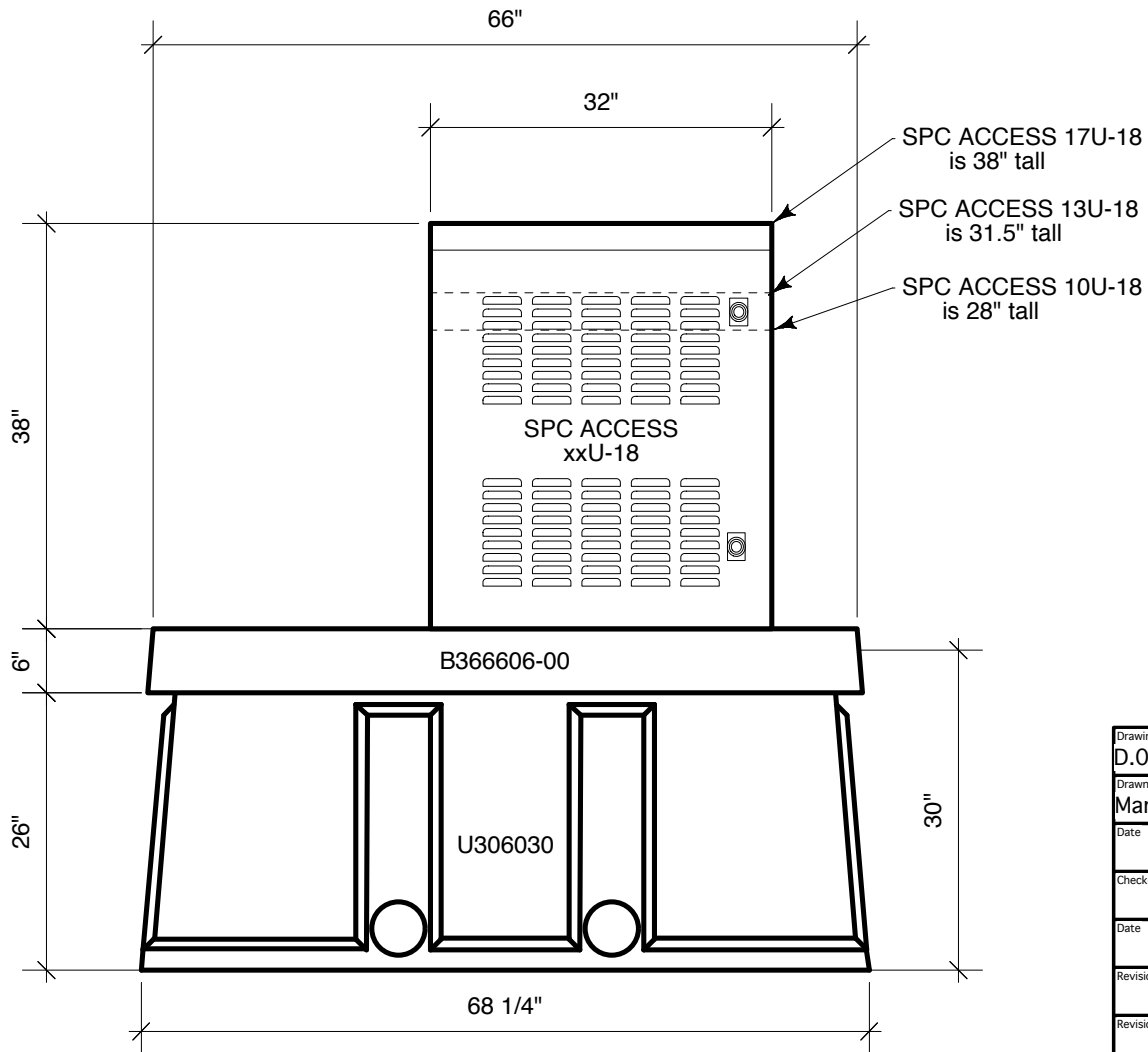


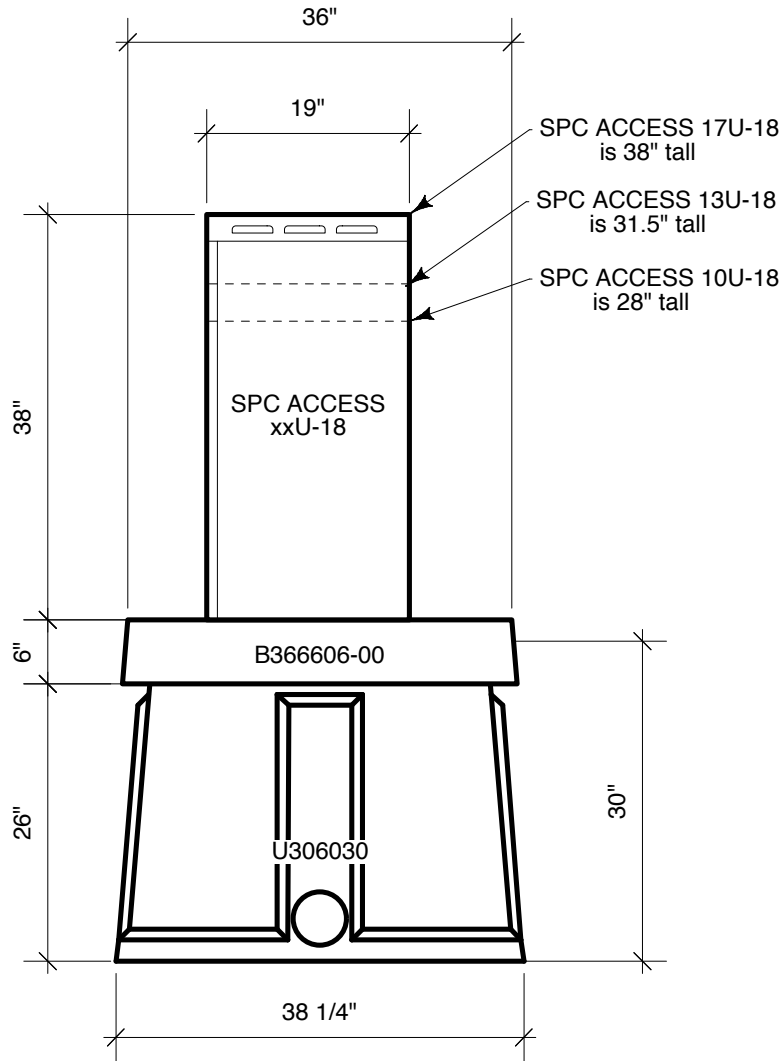
Drawing	MFG	<p><b><i>Tunnel Mill Polymer, Inc.</i></b></p> <p>103 Main St. Po Box 23 Alden, IA 50006 Phone: 515.859.7629 Fax: 515.859.7706 Email: Sales@tunnelmill.com Website: Tunnelmill.com</p>
D.01.F.F.1.1503.A	SPC	
Drawn By	Cabinet	
Marcela Hoversten	Access XXU-18	
Date	Foundation	
07/13/10	B366606-00	
Checked By	Vault	
Brian Day	U306030	
Date	Please check tunnelmill.com for the latest version of this drawing and for downloads in other drawing formats.	
00/00/00		
Revision		
A		
Revision Date		
00/00/00		
Page		
1 OF 8		



Drawing	D.01.F.F.1.1503.A	MFG	SPC
Drawn By	Marcela Hoversten	Cabinet	Access XXU-18
Date	07/13/10	Foundation	B366606-00
Checked By	Brian Day	Vault	U306030
Date	00/00/00	Please check tunnelmill.com for the latest version of this drawing and for downloads in other drawing formats.	
Revision	A		
Revision Date	00/00/00		
Page	2 OF 8		

***Tunnel Mill  
Polymer, Inc.***

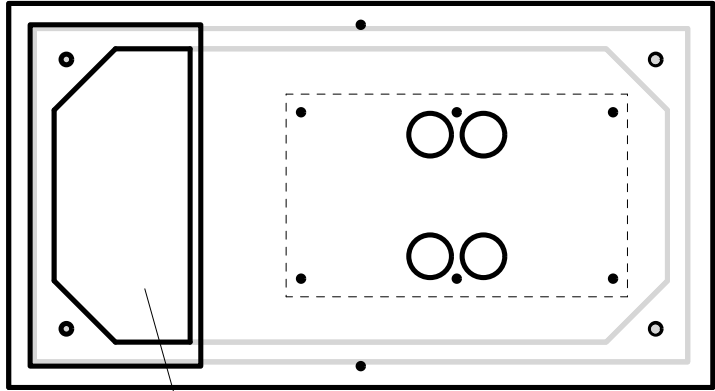
103 Main St.  
Po Box 23  
Alden, IA 50006  
Phone:  
515.859.7629  
Fax:  
515.859.7706  
Email:  
Sales@tunnelmill.com  
Website:  
Tunnelmill.com



Drawing	D.01.F.F.1.1503.A	MFG	SPC
Drawn By	Marcela Hoversten	Cabinet	Access XXU-18
Date	07/13/10	Foundation	B366606-00
Checked By	Brian Day	Vault	U306030
Date	00/00/00	Please check tunnelmill.com for the latest version of this drawing and for downloads in other drawing formats.	
Revision	A		
Revision Date	00/00/00		
Page	3 OF 8		

***Tunnel Mill  
Polymer, Inc.***

103 Main St.  
Po Box 23  
Alden, IA 50006  
Phone:  
515.859.7629  
Fax:  
515.859.7706  
Email:  
Sales@tunnelmill.com  
Website:  
Tunnelmill.com



16" x 32" HATCH

Foundation will be produced with 2 sets of openings allowing cabinet to be turned 180 degrees.

Drawing D.01.F.F.1.1503.A	MFG SPC	<p><b><i>Tunnel Mill Polymer, Inc.</i></b></p> <p>103 Main St. Po Box 23 Alden, IA 50006 Phone: 515.859.7629 Fax: 515.859.7706 Email: Sales@tunnelmill.com Website: Tunnelmill.com</p>
Drawn By Marcela Hoversten	Cabinet Access XXU-18	
Date 07/13/10	Foundation B366606-00	
Checked By Brian Day	Vault U306030	
Date 00/00/00	Please check tunnelmill.com for the latest version of this drawing and for downloads in other drawing formats.	
Revision A		
Revision Date 00/00/00		
Page 4 OF 8		