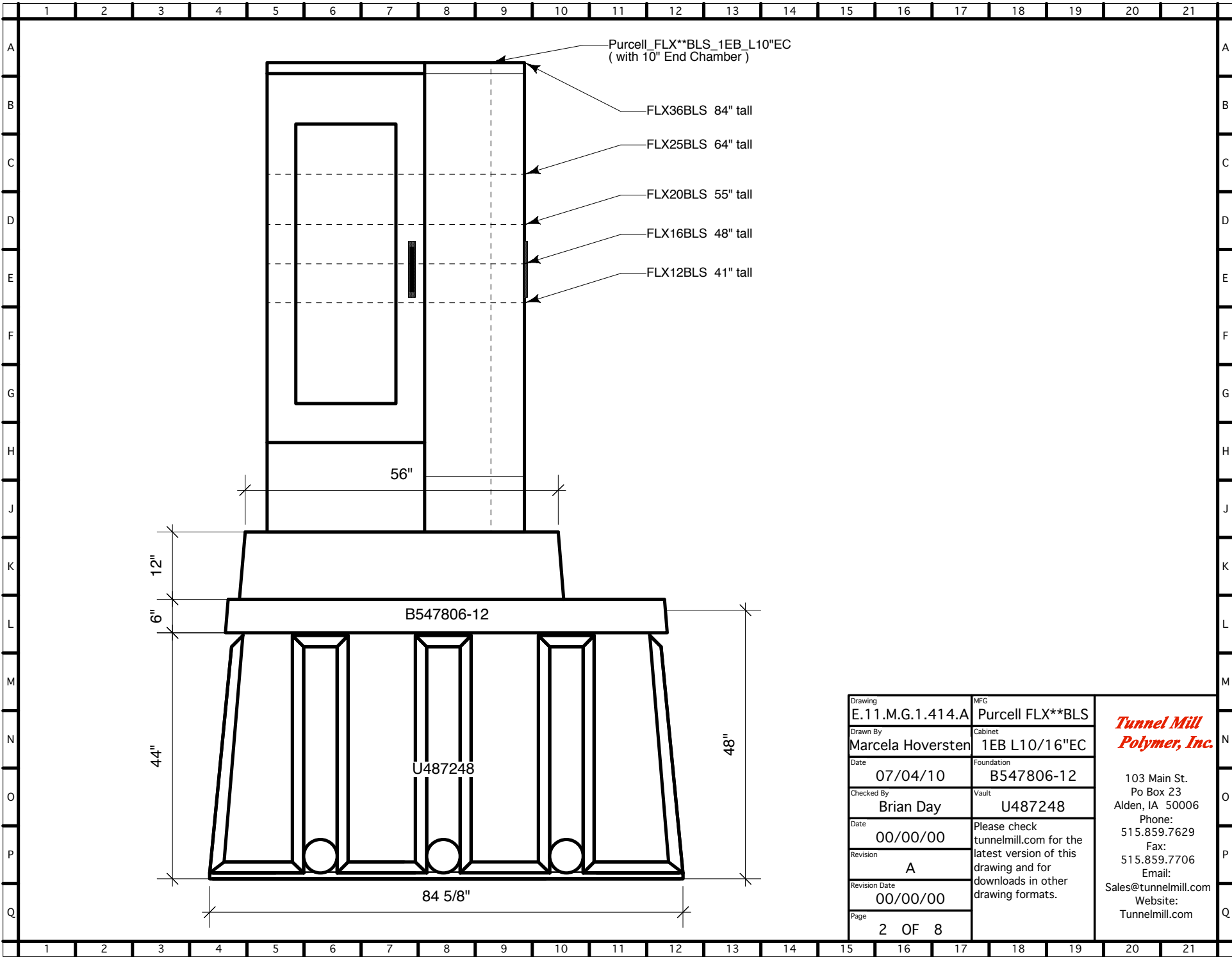


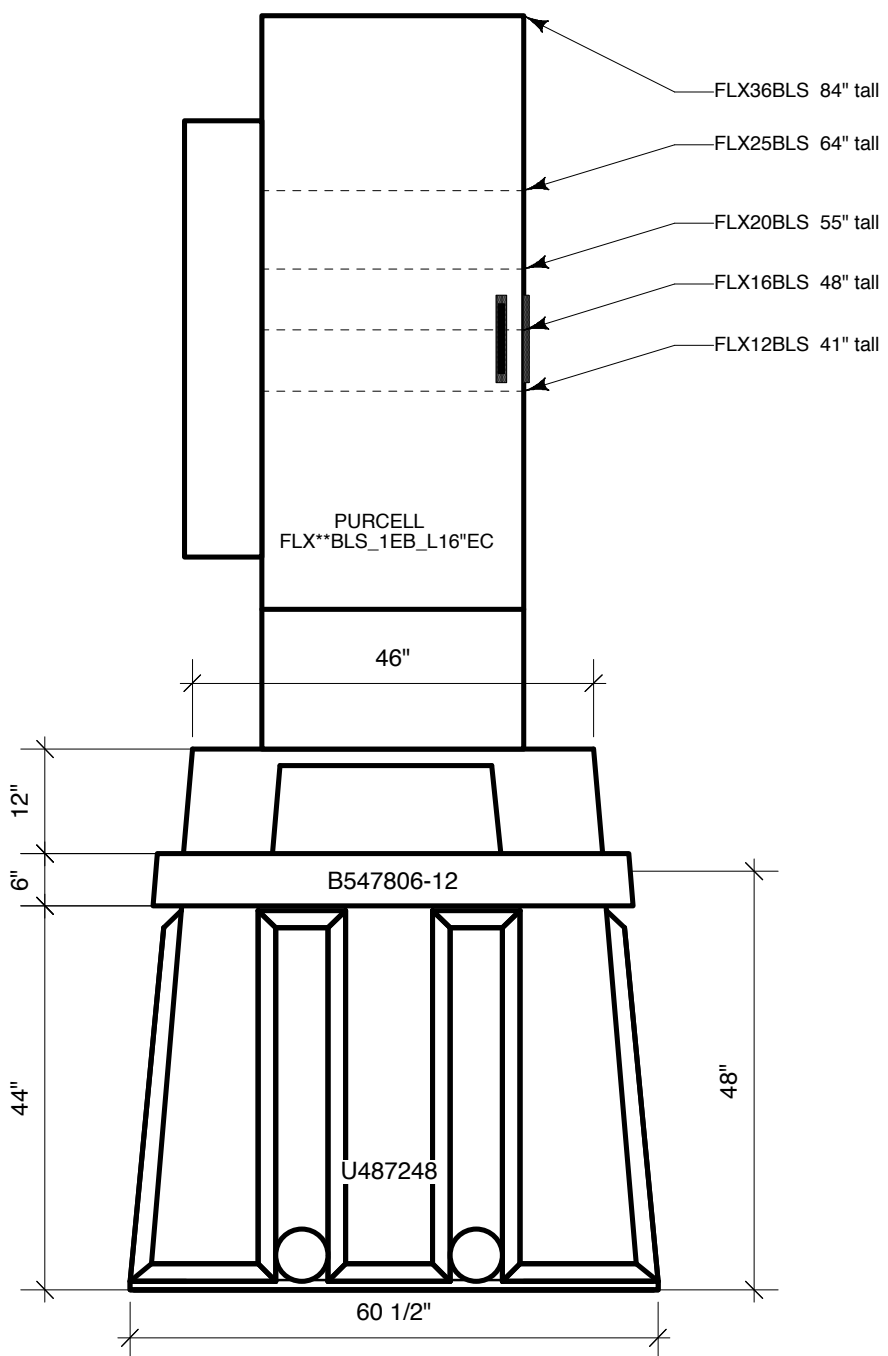
Drawing	E.11.M.G.1.414.A	MFG	Purcell FLX**BLS	<p style="text-align: center;"><i>Tunnel Mill Polymer, Inc.</i></p> <p style="text-align: center;">103 Main St. Po Box 23 Alden, IA 50006 Phone: 515.859.7629 Fax: 515.859.7706 Email: Sales@tunnelmill.com Website: Tunnelmill.com</p>
Drawn By	Marcela Hoversten	Cabinet	1EB L10/16"EC	
Date	07/04/10	Foundation	B547806-12	
Checked By	Brian Day	Vault	U487248	
Date	00/00/00	Please check tunnelmill.com for the latest version of this drawing and for downloads in other drawing formats.		
Revision	A			
Revision Date	00/00/00			
Page	1 OF 8			



Drawing	E.11.M.G.1.414.A	MFG	Purcell FLX**BLS
Drawn By	Marcela Hoversten	Cabinet	1EB L10/16"EC
Date	07/04/10	Foundation	B547806-12
Checked By	Brian Day	Vault	U487248
Date	00/00/00	Please check tunnelmill.com for the latest version of this drawing and for downloads in other drawing formats.	
Revision	A		
Revision Date	00/00/00		
Page	2 OF 8		

***Tunnel Mill
Polymer, Inc.***

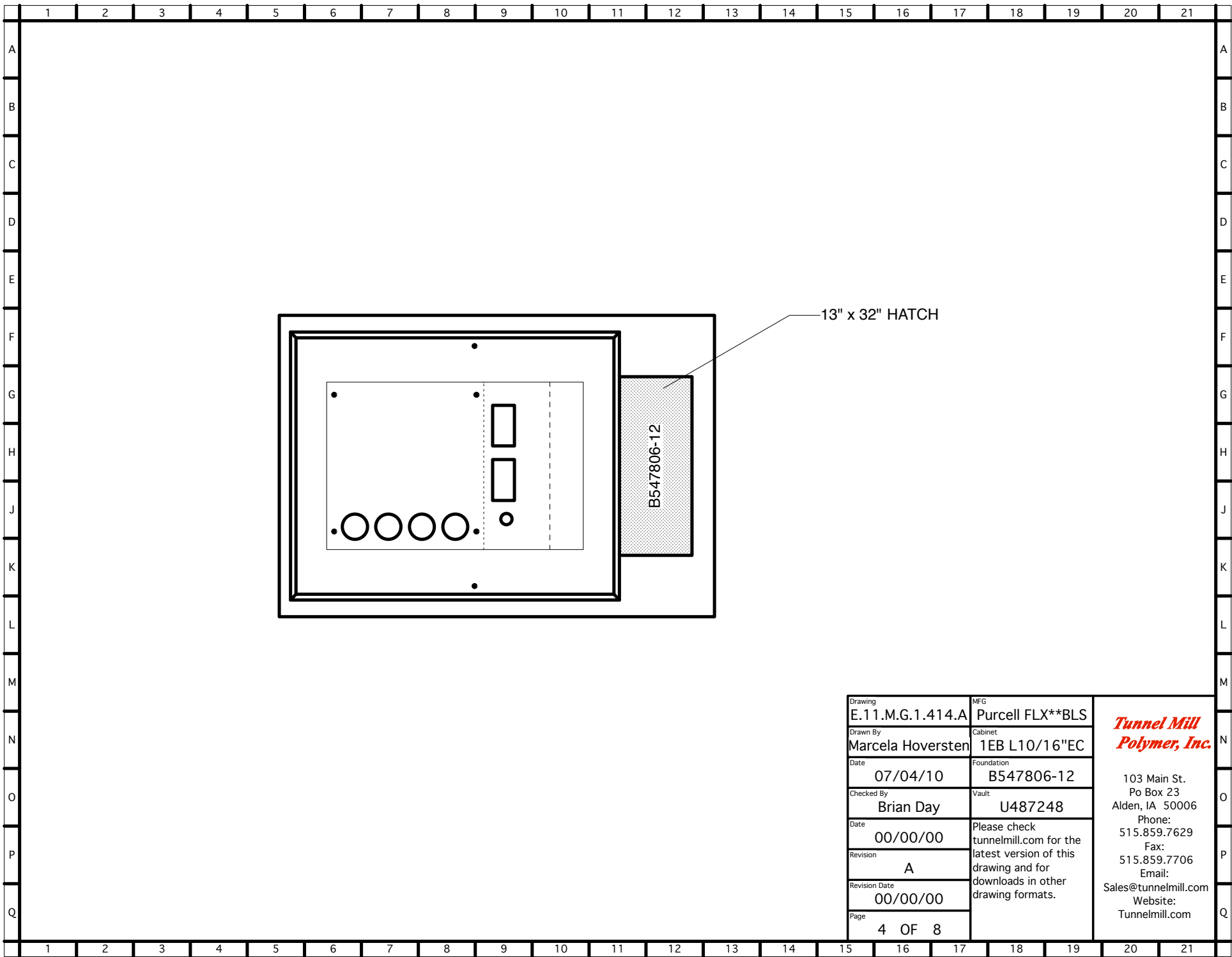
103 Main St.
Po Box 23
Alden, IA 50006
Phone: 515.859.7629
Fax: 515.859.7706
Email: Sales@tunnelmill.com
Website: Tunnelmill.com



Drawing	MFG
E.11.M.G.1.414.A	Purcell FLX**BLS
Drawn By	Cabinet
Marcela Hoversten	1EB L10/16"EC
Date	Foundation
07/04/10	B547806-12
Checked By	Vault
Brian Day	U487248
Date	Please check tunnelmill.com for the latest version of this drawing and for downloads in other drawing formats.
00/00/00	
Revision	
A	
Revision Date	
00/00/00	
Page	
3 OF 8	

***Tunnel Mill
Polymer, Inc.***

103 Main St.
Po Box 23
Alden, IA 50006
Phone:
515.859.7629
Fax:
515.859.7706
Email:
Sales@tunnelmill.com
Website:
Tunnelmill.com



13" x 32" HATCH

B547806-12

Drawing	E.11.M.G.1.414.A	MFG	Purcell FLX**BLS	<p><i>Tunnel Mill Polymer, Inc.</i></p> <p>103 Main St. Po Box 23 Alden, IA 50006 Phone: 515.859.7629 Fax: 515.859.7706 Email: Sales@tunnelmill.com Website: Tunnelmill.com</p>
Drawn By	Marcela Hoversten	Cabinet	1EB L10/16"EC	
Date	07/04/10	Foundation	B547806-12	
Checked By	Brian Day	Vault	U487248	
Date	00/00/00	Please check tunnelmill.com for the latest version of this drawing and for downloads in other drawing formats.		
Revision	A			
Revision Date	00/00/00			
Page	4 OF 8			

Purcell FlexSure BLS

	1 EB only	1 EB + 1 EC	2 EB + 1 EC	2EB + 2 EC	3 EB + 1 EC	3 EB + 2 EC	4 EB + 1 EC	4 EB + 2 EC
FLX12BLS (EB only)	41x30x30	-	-	-	-	-	-	-
FLX12BLS(with 16" EC)	-	41x46x30	41x76x30	41x92x30	41x106x30	41x122x30	41x136x30	41x152x30
FLX12BLS (with 10" EC)	-	41x40x30	41x70x30	41x80x30	41x100x30	41x110x30	41x130x30	41x140x300
TMPI cabinet number	E.10	E.11	E.12	E.13	E.14	E.15	E.16	E.17
FLX16BLS (EB only)	48x30x30	-	-	-	-	-	-	-
FLX16BLS (with 16" EC)	-	48x46x30	48x76x30	48x92x30	48x106x30	48x122x30	48x136x30	48x152x30
FLX16BLS (with 10" EC)	-	48x40x30	48x70x30	48x80x30	48x100x30	48x110x30	48x130x30	48x140x30
TMPI cabinet number	E.10	E.11	E.12	E.13	E.14	E.15	E.16	E.17
FLX20BLS (EB only)	55x30x30	-	-	-	-	-	-	-
FLX20BLS (with 16" EC)	-	55x46x30	55x76x30	55x92x30	55x106x30	55x122x30	55x136x30	55x152x30
FLX20BLS (with 10" EC)	-	55x40x30	55x70x30	55x80x30	55x100x30	55x110x30	55x130x30	55x140x30
TMPI cabinet number	E.10	E.11	E.12	E.13	E.14	E.15	E.16	E.17
FLX25BLS (EB only)	64x30x30	-	-	-	-	-	-	-
FLX25BLS (with 16" EC)	-	64x46x30	64x76x30	64x92x30	64x106x30	64x122x30	64x136x30	64x152x30
FLX25BLS (with 10" EC)	-	64x40x30	64x70x30	64x80x30	64x100x30	64x110x30	64x130x30	64x140x30
TMPI cabinet number	E.10	E.11	E.12	E.13	E.14	E.15	E.16	E.17
FLX36BLS (EB only)	84x30x30	-	-	-	-	-	-	-
FLX36BLS (with 16" EC)	-	84x46x30	84x76x30	84x92x30	84x106x30	84x122x30	84x136x30	84x152x30
FLX36BLS (with 10" EC)	-	84x40x30	84x70x30	84x80x30	84x100x30	84x110x30	84x130x30	84x140x30
TMPI cabinet number	E.10	E.11	E.12	E.13	E.14	E.15	E.16	E.17

EB = Equipment Bay
EC = End Chamber
All dimensions exterior (H x W x D)

Drawing	E.11.M.G.1.414.A	MFG	Purcell FLX**BLS
Drawn By	Marcela Hoversten	Cabinet	1 EB L10/16"EC
Date	07/04/10	Foundation	B547806-12
Checked By	Brian Day	Vault	U487248
Date	00/00/00	Please check tunnelmill.com for the latest version of this drawing and for downloads in other drawing formats.	
Revision	A		
Revision Date	00/00/00		
Page	5 OF 8		

*Tunnel Mill
Polymer, Inc.*

103 Main St.
Po Box 23
Alden, IA 50006
Phone:
515.859.7629
Fax:
515.859.7706
Email:
Sales@tunnelmill.com
Website:
Tunnelmill.com