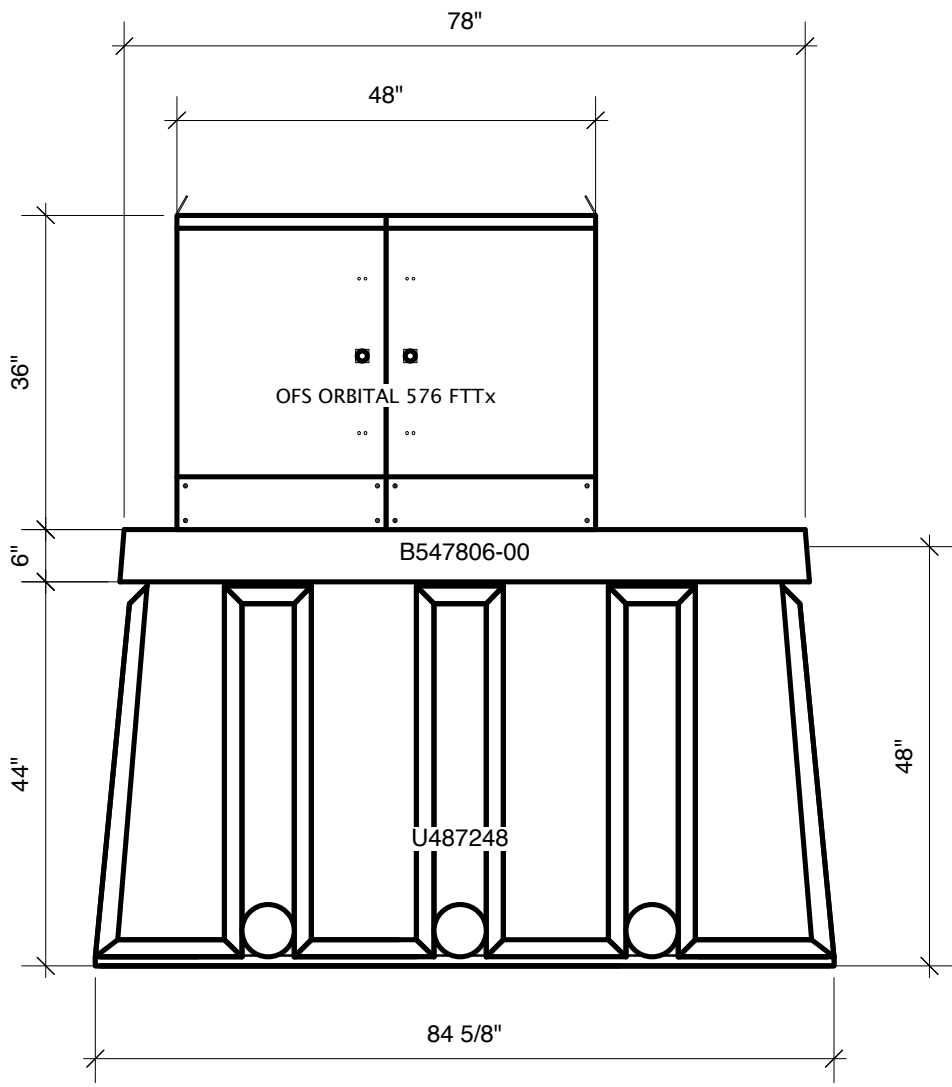


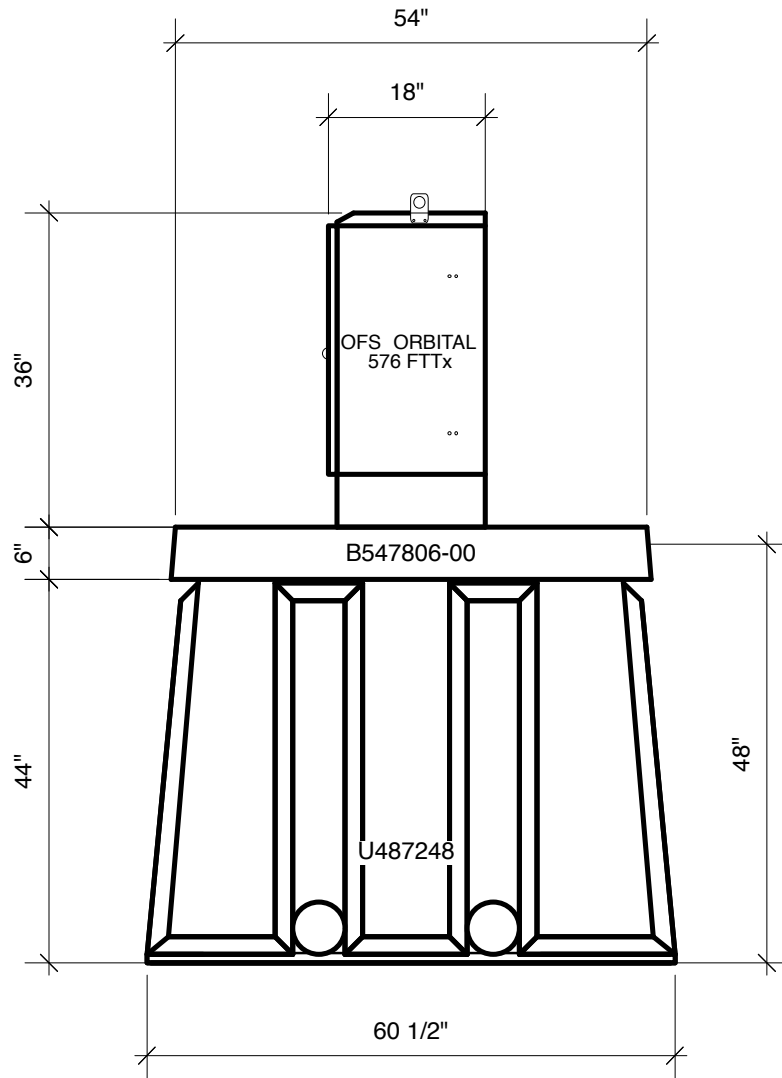
Drawing	N.02.K.G.1.172.A	MFG	OFS	<b><i>Tunnel Mill Polymer, Inc.</i></b>  103 Main St. Po Box 23 Alden, IA 50006 Phone: 515.859.7629 Fax: 515.859.7706 Email: Sales@tunnelmill.com Website: Tunnelmill.com
Drawn By	Marcela Hoversten	Cabinet	ORBITAL 576	
Date	04/10/10	Foundation	B547806-00	
Checked By	Brian Day	Vault	U487248	
Date	00/00/00	Please check tunnelmill.com for the latest version of this drawing and for downloads in other drawing formats.		
Revision	A			
Revision Date	00/00/00			
Page	1 OF 8			



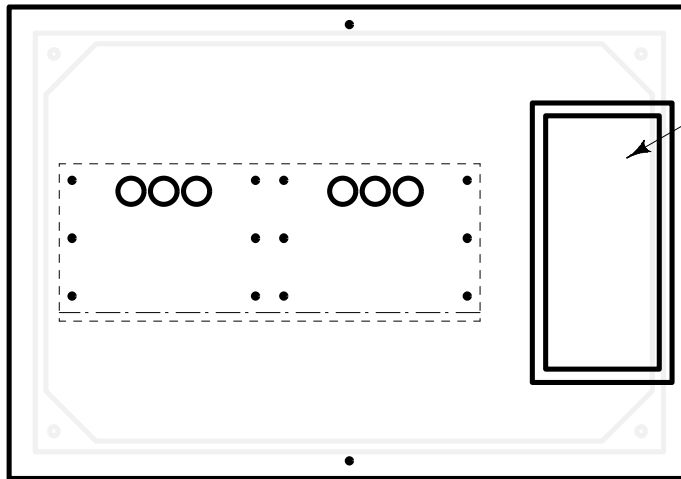
Drawing	N.02.K.G.1.172.A	MFG	OFS
Drawn By	Marcela Hoversten	Cabinet	ORBITAL 576
Date	04/10/10	Foundation	B547806-00
Checked By	Brian Day	Vault	U487248
Date	00/00/00	Please check tunnelmill.com for the latest version of this drawing and for downloads in other drawing formats.	
Revision	A		
Revision Date	00/00/00		
Page	2 OF 8		

***Tunnel Mill  
Polymer, Inc.***

103 Main St.  
Po Box 23  
Alden, IA 50006  
Phone: 515.859.7629  
Fax: 515.859.7706  
Email: Sales@tunnelmill.com  
Website: Tunnelmill.com



Drawing	N.02.K.G.1.172.A	MFG	OFS	<b><i>Tunnel Mill Polymer, Inc.</i></b>  103 Main St. Po Box 23 Alden, IA 50006 Phone: 515.859.7629 Fax: 515.859.7706 Email: Sales@tunnelmill.com Website: Tunnelmill.com
Drawn By	Marcela Hoversten	Cabinet	ORBITAL 576	
Date	04/10/10	Foundation	B547806-00	
Checked By	Brian Day	Vault	U487248	
Date	00/00/00	Please check tunnelmill.com for the latest version of this drawing and for downloads in other drawing formats.		
Revision	A			
Revision Date	00/00/00			
Page	3 OF 8			



16" x 32" HATCH

Drawing	N.02.K.G.1.172.A	MFG	OFS	<p><b><i>Tunnel Mill Polymer, Inc.</i></b></p> <p>103 Main St. Po Box 23 Alden, IA 50006 Phone: 515.859.7629 Fax: 515.859.7706 Email: Sales@tunnelmill.com Website: Tunnelmill.com</p>
Drawn By	Marcela Hoversten	Cabinet	ORBITAL 576	
Date	04/10/10	Foundation	B547806-00	
Checked By	Brian Day	Vault	U487248	
Date	00/00/00	Please check tunnelmill.com for the latest version of this drawing and for downloads in other drawing formats.		
Revision	A			
Revision Date	00/00/00			
Page	4 OF 8			