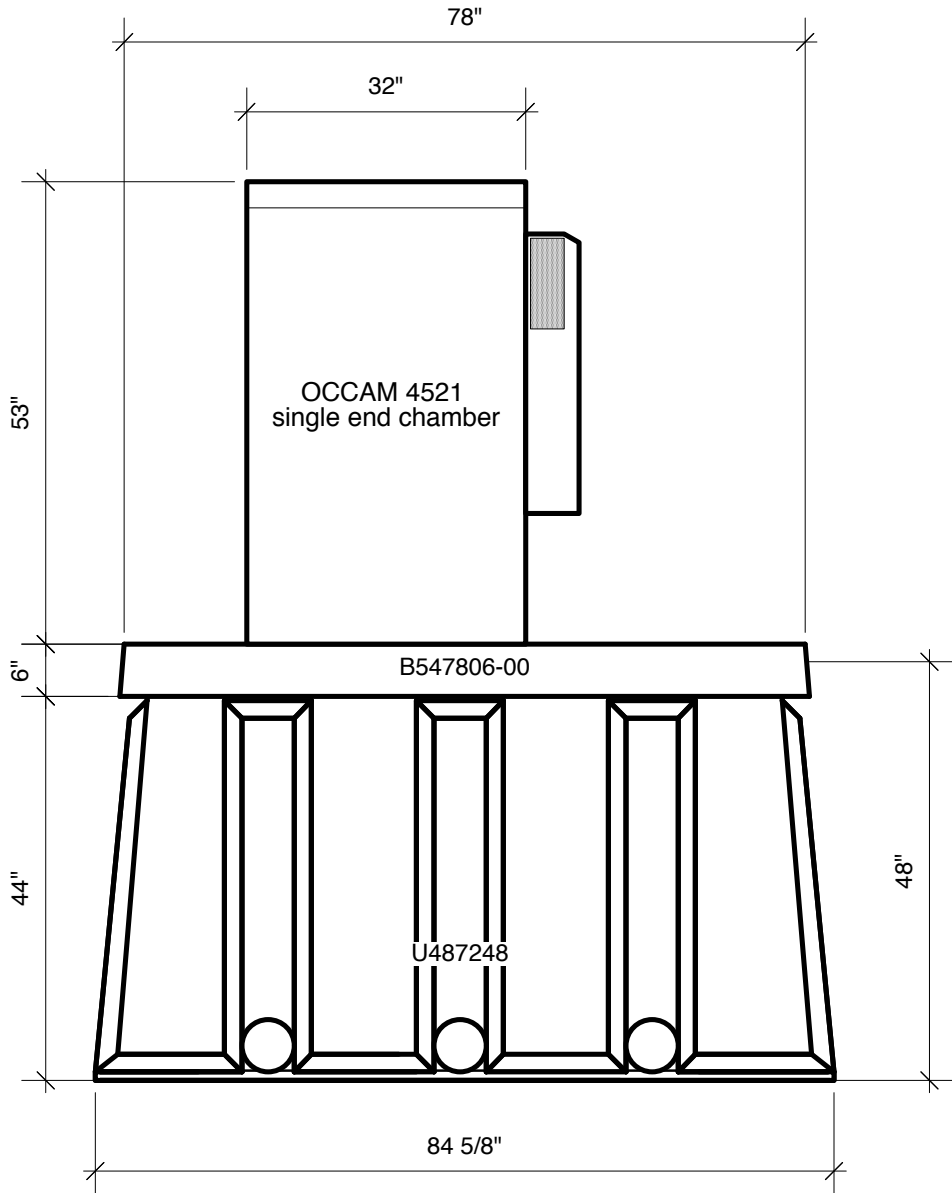
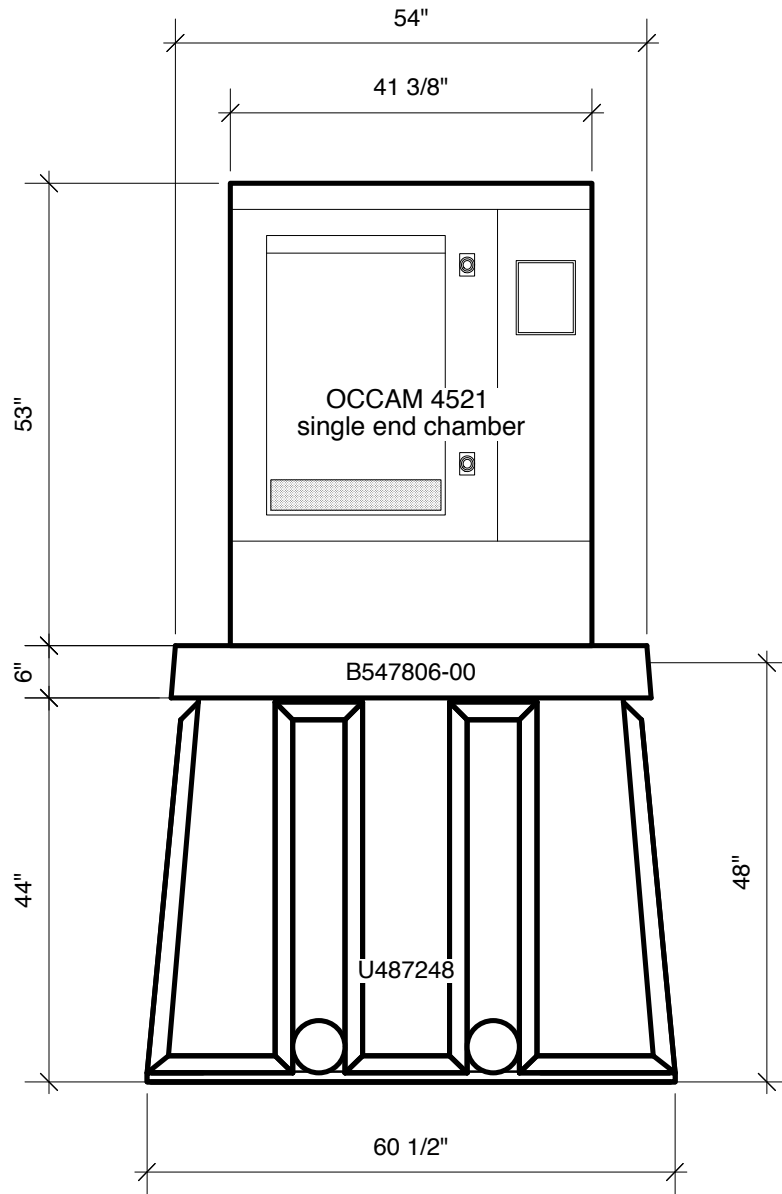


Drawing	B.08.K.G.2.464.A	MFG	Occam	<b><i>Tunnel Mill Polymer, Inc.</i></b>  103 Main St. Po Box 23 Alden, IA 50006 Phone: 515.859.7629 Fax: 515.859.7706 Email: Sales@tunnelmill.com Website: Tunnelmill.com
Drawn By	Marcela Hoverster	Cabinet	RTC 4521 single EC	
Date	09/23/10	Foundation	B547806-00	
Checked By	Brian Day	Vault	U487248	
Date	00/00/00	Please check tunnelmill.com for the latest version of this drawing and for downloads in other drawing formats.		
Revision	A			
Revision Date	00/00/00			
Page	1 OF 8			

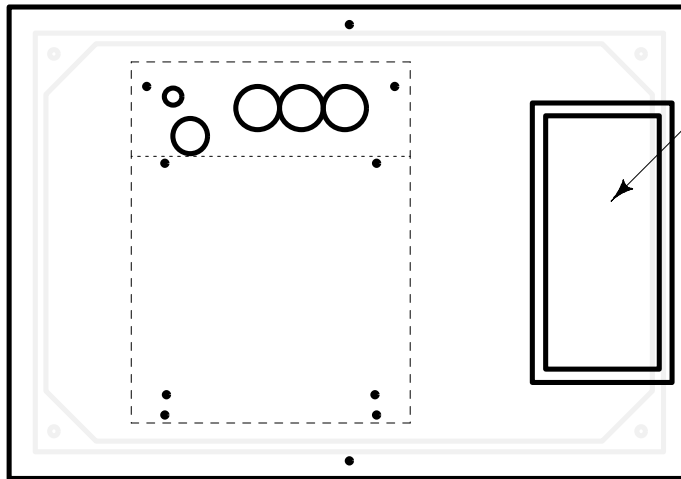


Drawing	B.08.K.G.2.464.A	MFG	Occam
Drawn By	Marcela Hoverster	Cabinet	RTC 4521 single EC
Date	09/23/10	Foundation	B547806-00
Checked By	Brian Day	Vault	U487248
Date	00/00/00	Please check tunnelmill.com for the latest version of this drawing and for downloads in other drawing formats.	
Revision	A		
Revision Date	00/00/00		
Page	2 OF 8		

***Tunnel Mill  
Polymer, Inc.***  
 103 Main St.  
 Po Box 23  
 Alden, IA 50006  
 Phone: 515.859.7629  
 Fax: 515.859.7706  
 Email: Sales@tunnelmill.com  
 Website: Tunnelmill.com



Drawing	B.08.K.G.2.464.A	MFG	Occam	<b><i>Tunnel Mill Polymer, Inc.</i></b>
Drawn By	Marcela Hoverster	Cabinet	RTC 4521 single EC	
Date	09/23/10	Foundation	B547806-00	103 Main St. Po Box 23 Alden, IA 50006 Phone: 515.859.7629 Fax: 515.859.7706 Email: Sales@tunnelmill.com Website: Tunnelmill.com
Checked By	Brian Day	Vault	U487248	
Date	00/00/00	Please check tunnelmill.com for the latest version of this drawing and for downloads in other drawing formats.		
Revision	A			
Revision Date	00/00/00			
Page	3 OF 8			



16" x 32" HATCH

Drawing	MFG	<b><i>Tunnel Mill Polymer, Inc.</i></b>  103 Main St. Po Box 23 Alden, IA 50006 Phone: 515.859.7629 Fax: 515.859.7706 Email: Sales@tunnelmill.com Website: Tunnelmill.com
B.08.K.G.2.464.A	Occam	
Drawn By	Cabinet	
Marcela Hoverster	RTC 4521 single EC	
Date	Foundation	
09/23/10	B547806-00	
Checked By	Vault	
Brian Day	U487248	
Date	Please check tunnelmill.com for the latest version of this drawing and for downloads in other drawing formats.	
Revision		
A		
Revision Date		
00/00/00		
Page		
4 OF 8		