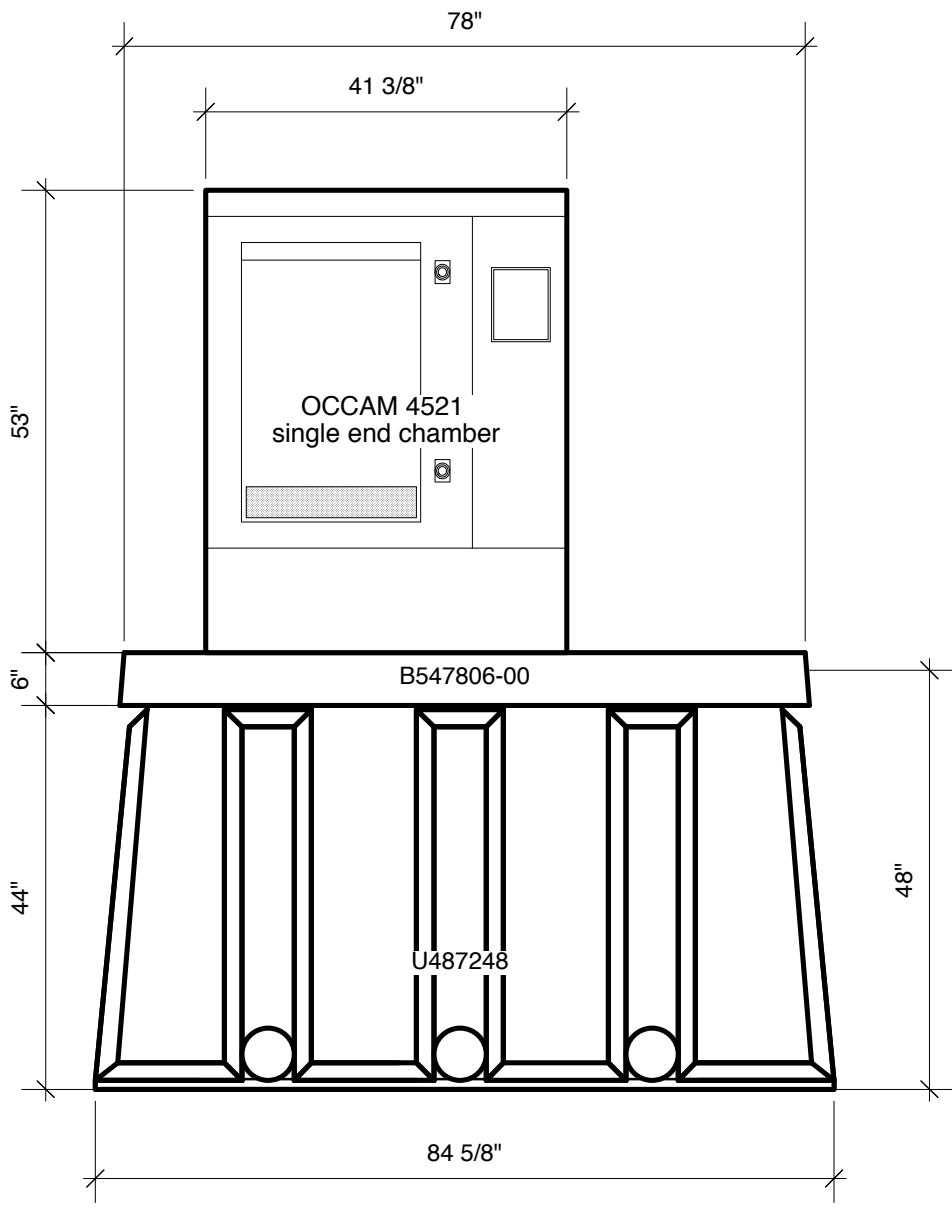


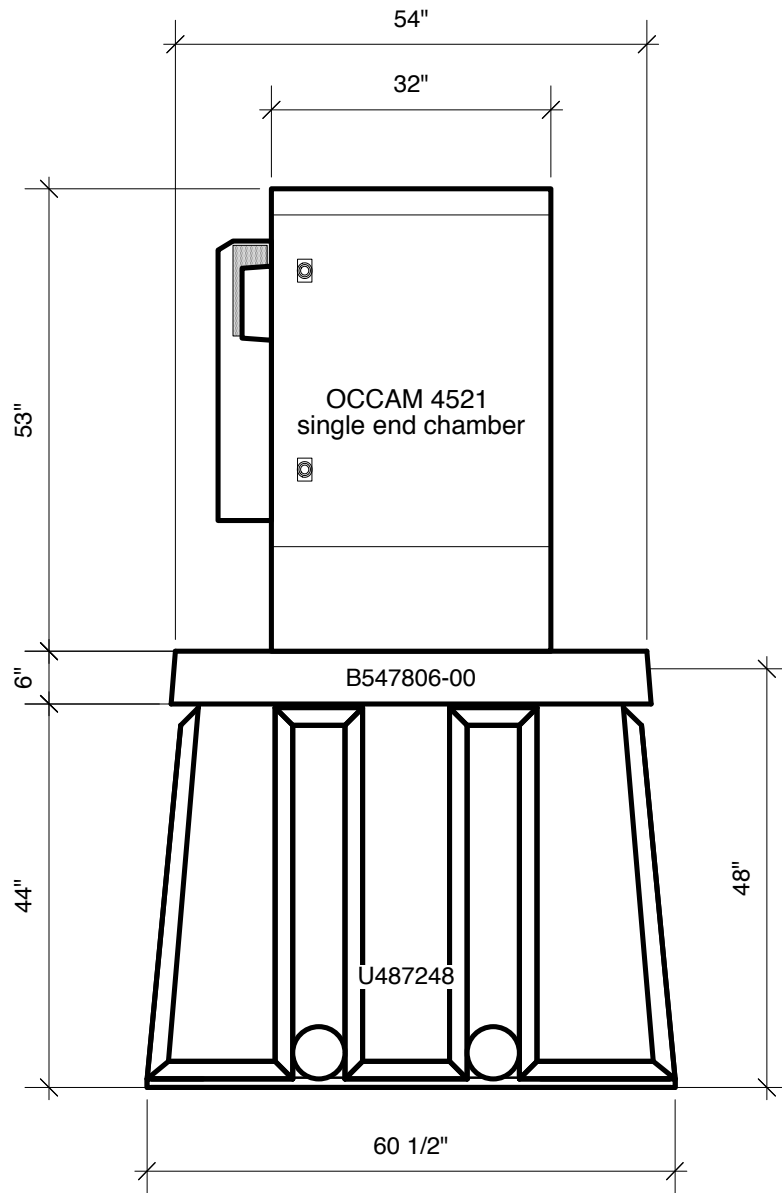
Drawing	B.08.K.G.1.463.A	MFG	Occam	<i>Tunnel Mill Polymer, Inc.</i> 103 Main St. Po Box 23 Alden, IA 50006 Phone: 515.859.7629 Fax: 515.859.7706 Email: Sales@tunnelmill.com Website: Tunnelmill.com
Drawn By	Marcela Hoverster	Cabinet	RTC 4521 single EC	
Date	09/23/10	Foundation	B547806-00	
Checked By	Brian Day	Vault	U487248	
Date	00/00/00	Please check tunnelmill.com for the latest version of this drawing and for downloads in other drawing formats.		
Revision	A			
Revision Date	00/00/00			
Page	1 OF 8			



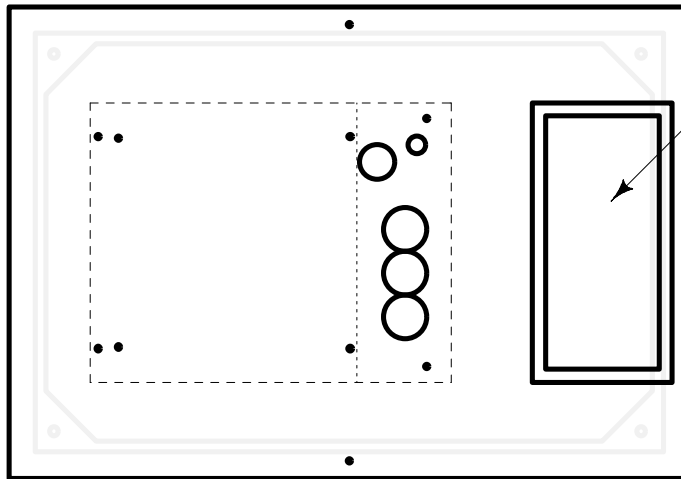
Drawing	B.08.K.G.1.463.A	MFG	Occam
Drawn By	Marcela Hoverster	Cabinet	RTC 4521 single EC
Date	09/23/10	Foundation	B547806-00
Checked By	Brian Day	Vault	U487248
Date	00/00/00	Please check tunnelmill.com for the latest version of this drawing and for downloads in other drawing formats.	
Revision	A		
Revision Date	00/00/00		
Page	2 OF 8		

***Tunnel Mill
Polymer, Inc.***

103 Main St.
Po Box 23
Alden, IA 50006
Phone: 515.859.7629
Fax: 515.859.7706
Email: Sales@tunnelmill.com
Website: Tunnelmill.com



Drawing	MFG	<i>Tunnel Mill Polymer, Inc.</i>
B.08.K.G.1.463.A	Occam	
Drawn By	Cabinet	103 Main St. Po Box 23 Alden, IA 50006 Phone: 515.859.7629 Fax: 515.859.7706 Email: Sales@tunnelmill.com Website: Tunnelmill.com
Marcela Hoverster	RTC 4521 single EC	
Date	Foundation	
09/23/10	B547806-00	
Checked By	Vault	
Brian Day	U487248	
Date	Please check tunnelmill.com for the latest version of this drawing and for downloads in other drawing formats.	
00/00/00		
Revision		
A		
Revision Date		
00/00/00		
Page		
3 OF 8		



16" x 32" HATCH

Drawing	MFG	<i>Tunnel Mill Polymer, Inc.</i> 103 Main St. Po Box 23 Alden, IA 50006 Phone: 515.859.7629 Fax: 515.859.7706 Email: Sales@tunnelmill.com Website: Tunnelmill.com
B.08.K.G.1.463.A	Occam	
Drawn By	Cabinet	RTC 4521 single EC
Marcela Hoverster		
Date	Foundation	Please check tunnelmill.com for the latest version of this drawing and for downloads in other drawing formats.
09/23/10	B547806-00	
Checked By	Vault	4 OF 8
Brian Day	U487248	
Date	Revision	
00/00/00	A	
Revision Date	Page	
00/00/00	4 OF 8	