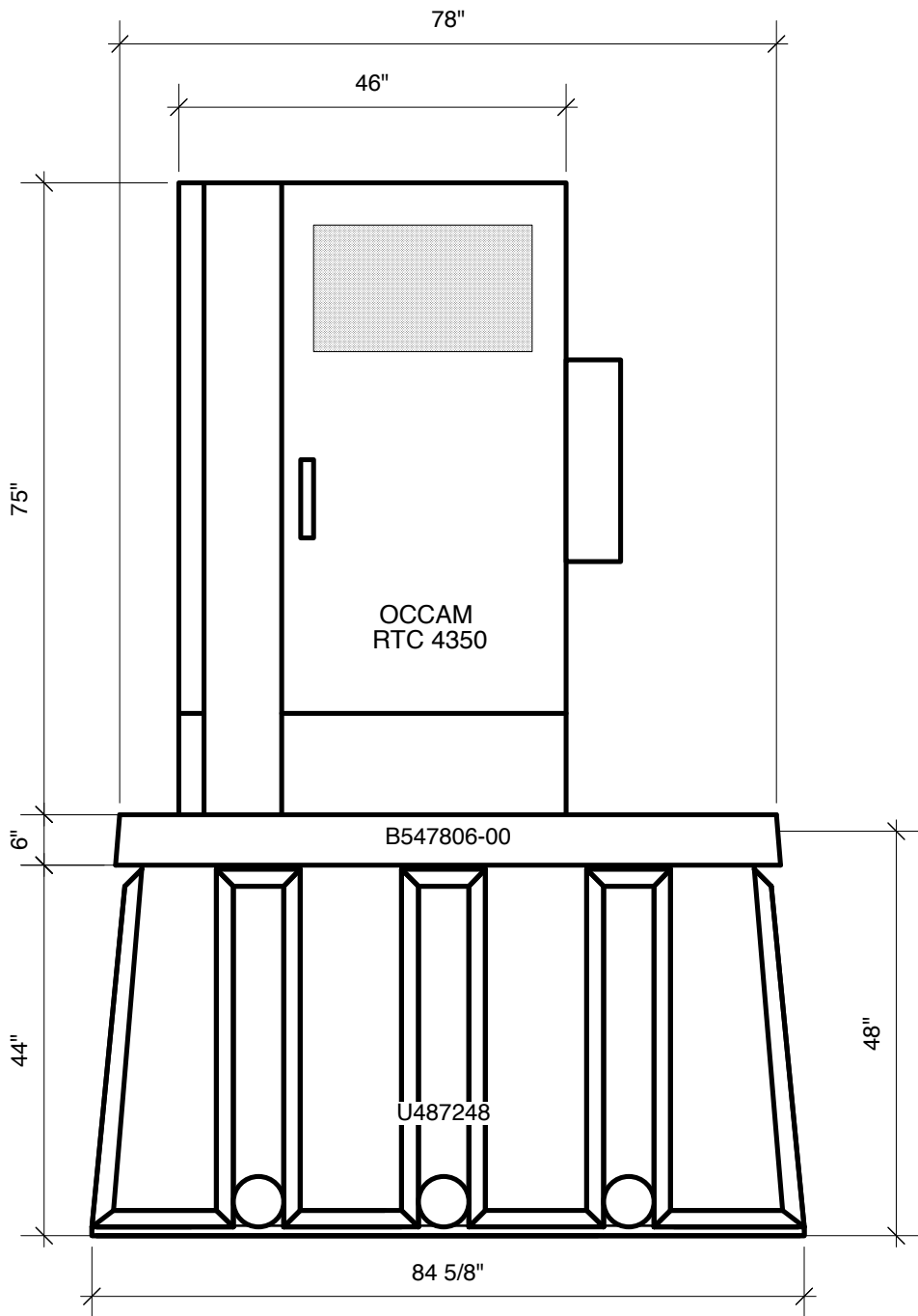
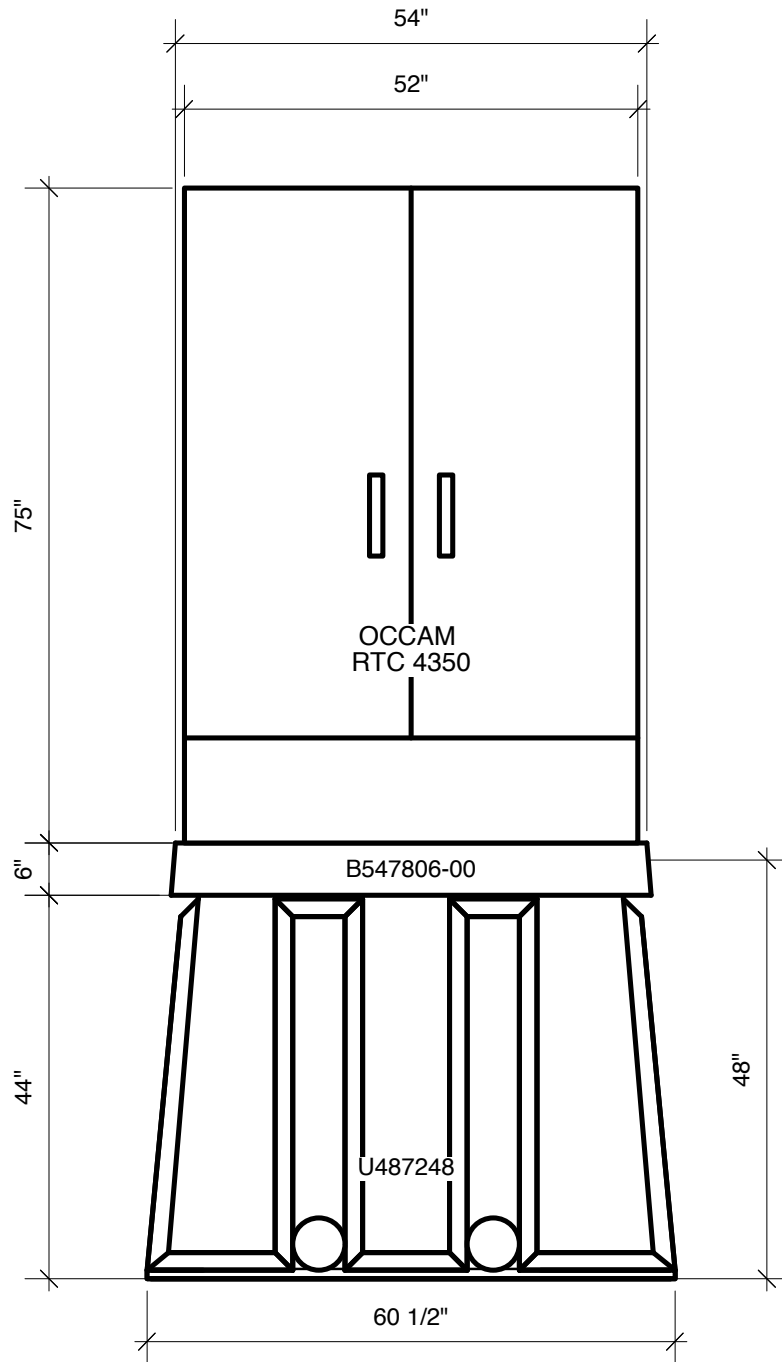


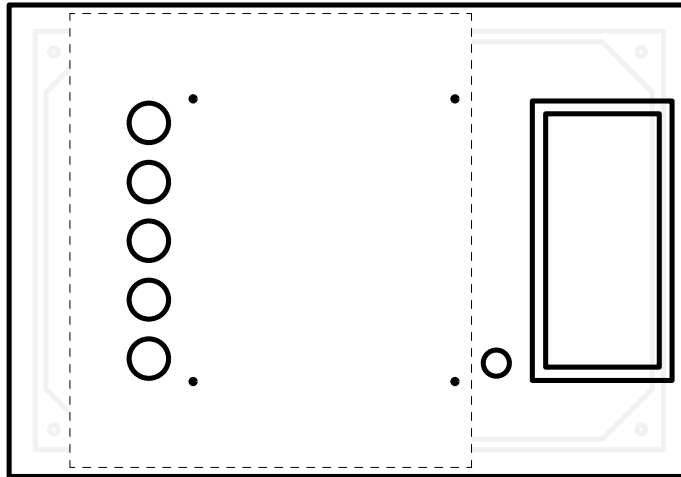
Drawing	B.05.K.G.1.521.A	MFG	Occam	<p><b><i>Tunnel Mill Polymer, Inc.</i></b></p> <p>103 Main St. Po Box 23 Alden, IA 50006 Phone: 515.859.7629 Fax: 515.859.7706 Email: Sales@tunnelmill.com Website: Tunnelmill.com</p>
Drawn By	Marcela Hoversten	Cabinet	RTC 4350	
Date	01/13/10	Foundation	B547806-00	
Checked By	Brian Day	Vault	U487248	
Date	00/00/00	Please check tunnelmill.com for the latest version of this drawing and for downloads in other drawing formats.		
Revision	A			
Revision Date	00/00/00			
Page	1 OF 8			



Drawing	MFG	<b><i>Tunnel Mill Polymer, Inc.</i></b>  103 Main St. Po Box 23 Alden, IA 50006 Phone: 515.859.7629 Fax: 515.859.7706 Email: Sales@tunnelmill.com Website: Tunnelmill.com
B.05.K.G.1.521.A	Occam	
Drawn By	Cabinet	
Marcela Hoversten	RTC 4350	
Date	Foundation	
01/13/10	B547806-00	
Checked By	Vault	Please check tunnelmill.com for the latest version of this drawing and for downloads in other drawing formats.
Brian Day	U487248	
Date		
00/00/00		
Revision		
A		
Revision Date		
00/00/00		
Page		
2 OF 8		



Drawing	B.05.K.G.1.521.A	MFG	Occam	<b><i>Tunnel Mill Polymer, Inc.</i></b>  103 Main St. Po Box 23 Alden, IA 50006 Phone: 515.859.7629 Fax: 515.859.7706 Email: Sales@tunnelmill.com Website: Tunnelmill.com
Drawn By	Marcela Hoversten	Cabinet	RTC 4350	
Date	01/13/10	Foundation	B547806-00	
Checked By	Brian Day	Vault	U487248	
Date	00/00/00	Please check tunnelmill.com for the latest version of this drawing and for downloads in other drawing formats.		
Revision	A	Revision Date	00/00/00	
Page	3 OF 8			



Drawing	MFG	<p><b><i>Tunnel Mill Polymer, Inc.</i></b></p> <p>103 Main St. Po Box 23 Alden, IA 50006 Phone: 515.859.7629 Fax: 515.859.7706 Email: Sales@tunnelmill.com Website: Tunnelmill.com</p>
B.05.K.G.1.521.A	Occam	
Drawn By	Cabinet	
Marcela Hoversten	RTC 4350	
Date	Foundation	
01/13/10	B547806-00	
Checked By	Vault	
Brian Day	U487248	
Date	Please check tunnelmill.com for the latest version of this drawing and for downloads in other drawing formats.	
00/00/00		
Revision		
A		
Revision Date		
00/00/00		
Page		
4 OF 8		