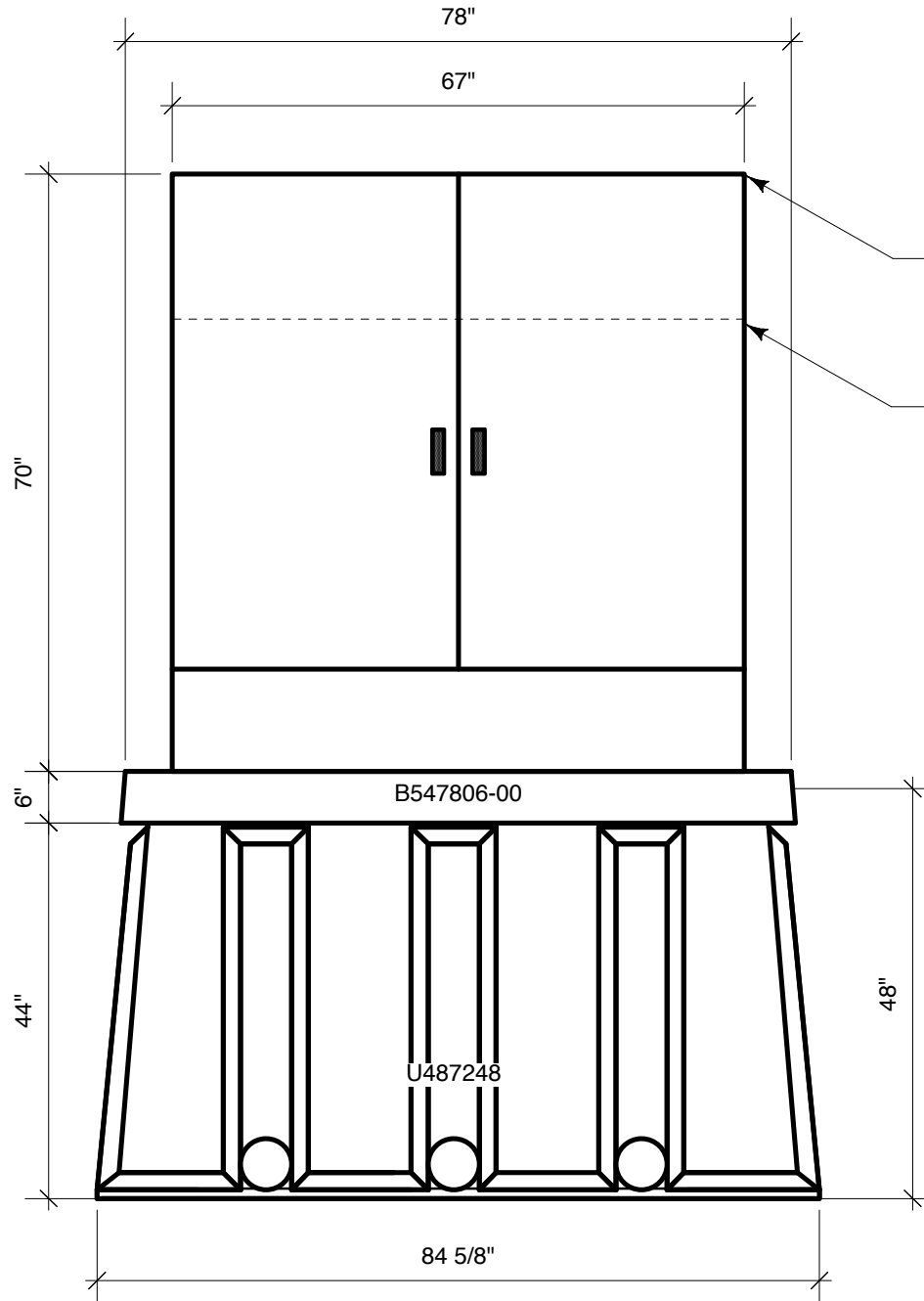


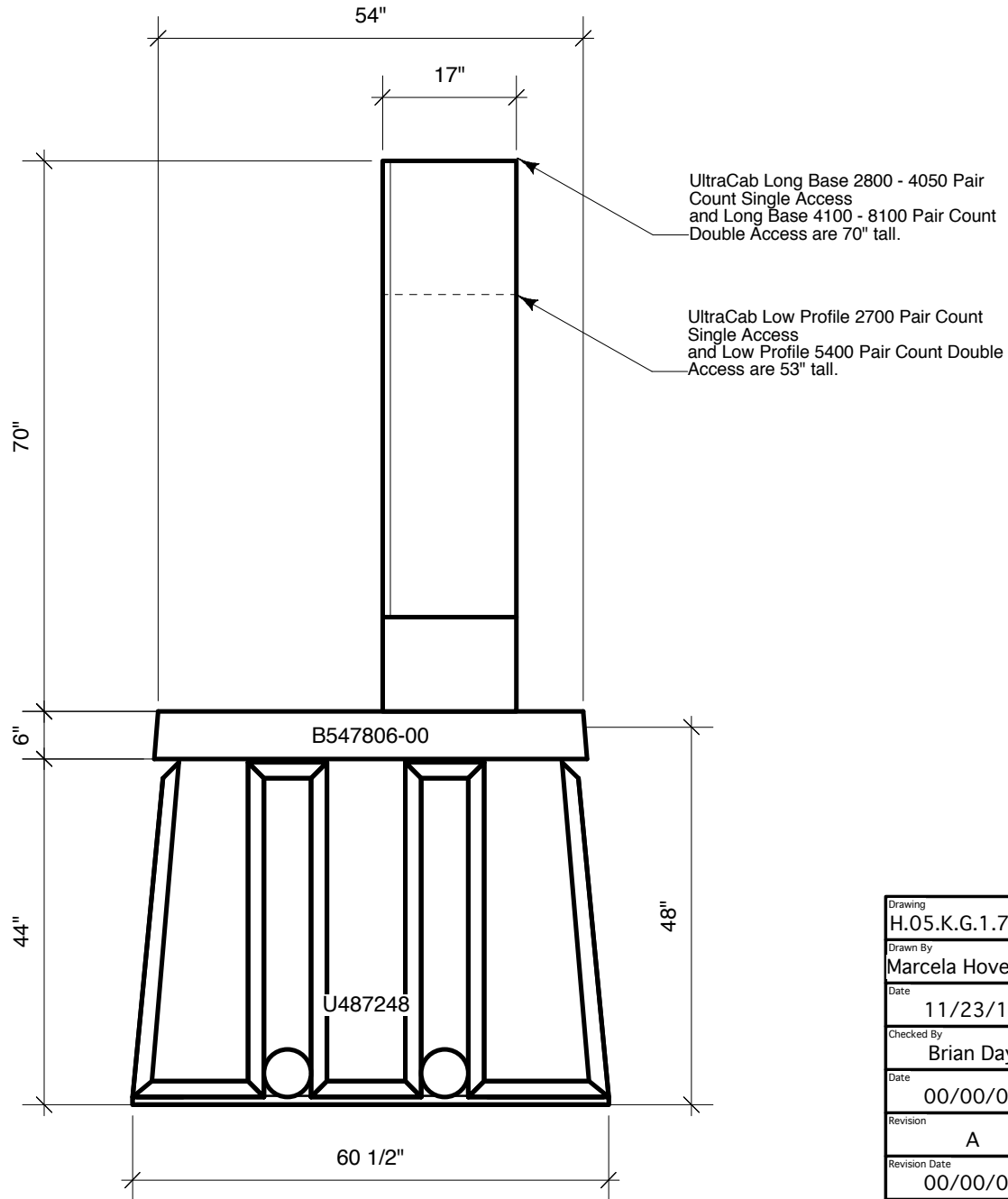
Drawing	MFG	<i>Tunnel Mill Polymer, Inc.</i>
H.05.K.G.1.787.A	Emerson (UltraCab)	
Drawn By	Cabinet	103 Main St. Po Box 23 Alden, IA 50006 Phone: 515.859.7629 Fax: 515.859.7706 Email: Sales@tunnelmill.com Website: Tunnelmill.com
Marcela Hoverst	Low Profile/Long Base	
Date	Foundation	
11/23/10	B547806-00	
Checked By	Vault	
Brian Day	U487248	
Date	Please check tunnelmill.com for the latest version of this drawing and for downloads in other drawing formats.	
00/00/00		
Revision		
A		
Revision Date		
00/00/00		
Page		
1 OF 8		



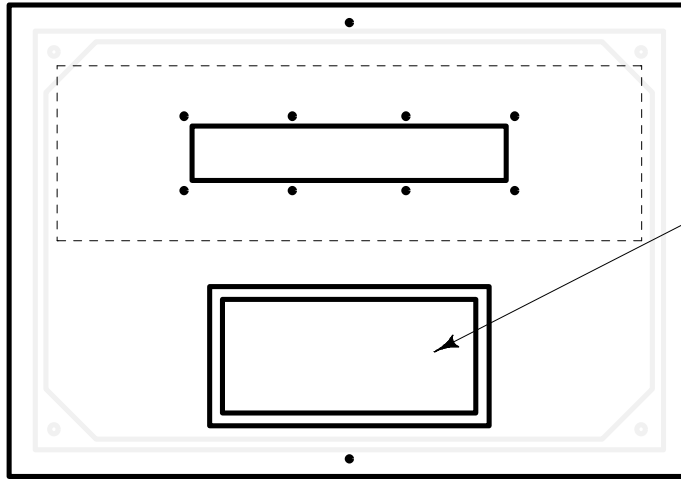
UltraCab Long Base 2800 - 4050 Pair Count Single Access and Long Base 4100 - 8100 Pair Count Double Access are 70" tall.

UltraCab Low Profile 2700 Pair Count Single Access and Low Profile 5400 Pair Count Double Access are 53" tall.

Drawing	MFG	Tunnel Mill Polymer, Inc.
H.05.K.G.1.787.AEmerson (UltraCab)		
Drawn By	Cabinet	103 Main St. Po Box 23 Alden, IA 50006 Phone: 515.859.7629 Fax: 515.859.7706 Email: Sales@tunnelmill.com Website: Tunnelmill.com
Marcela HoverstLow Profile/Long Base		
Date	Foundation	Please check tunnelmill.com for the latest version of this drawing and for downloads in other drawing formats.
11/23/10	B547806-00	
Checked By	Vault	Revision A
Brian Day	U487248	
Date	Revision Date	Page
00/00/00	00/00/00	
2 OF 8		



Drawing	MFG	Tunnel Mill Polymer, Inc.
H.05.K.G.1.787.AEmerson (UltraCab)		
Drawn By	Cabinet	103 Main St. Po Box 23 Alden, IA 50006 Phone: 515.859.7629 Fax: 515.859.7706 Email: Sales@tunnelmill.com Website: Tunnelmill.com
Marcela HoverstLow Profile/Long Base		
Date	Foundation	Please check tunnelmill.com for the latest version of this drawing and for downloads in other drawing formats.
11/23/10	B547806-00	
Checked By	Vault	3 OF 8
Brian Day	U487248	
Date	Revision	
00/00/00	A	
Revision Date	Page	
00/00/00	3 OF 8	



16" x 32" HATCH

Drawing	MFG	<i>Tunnel Mill Polymer, Inc.</i>
H.05.K.G.1.787.AEmerson (UltraCab)		
Drawn By	Cabinet	103 Main St. Po Box 23 Alden, IA 50006 Phone: 515.859.7629 Fax: 515.859.7706 Email: Sales@tunnelmill.com Website: Tunnelmill.com
Marcela HoverstLow Profile/Long Base		
Date	Foundation	
11/23/10	B547806-00	
Checked By	Vault	
Brian Day	U487248	
Date	Please check tunnelmill.com for the latest version of this drawing and for downloads in other drawing formats.	
00/00/00		
Revision		
A		
Revision Date		
00/00/00		
Page		
4 OF 8		