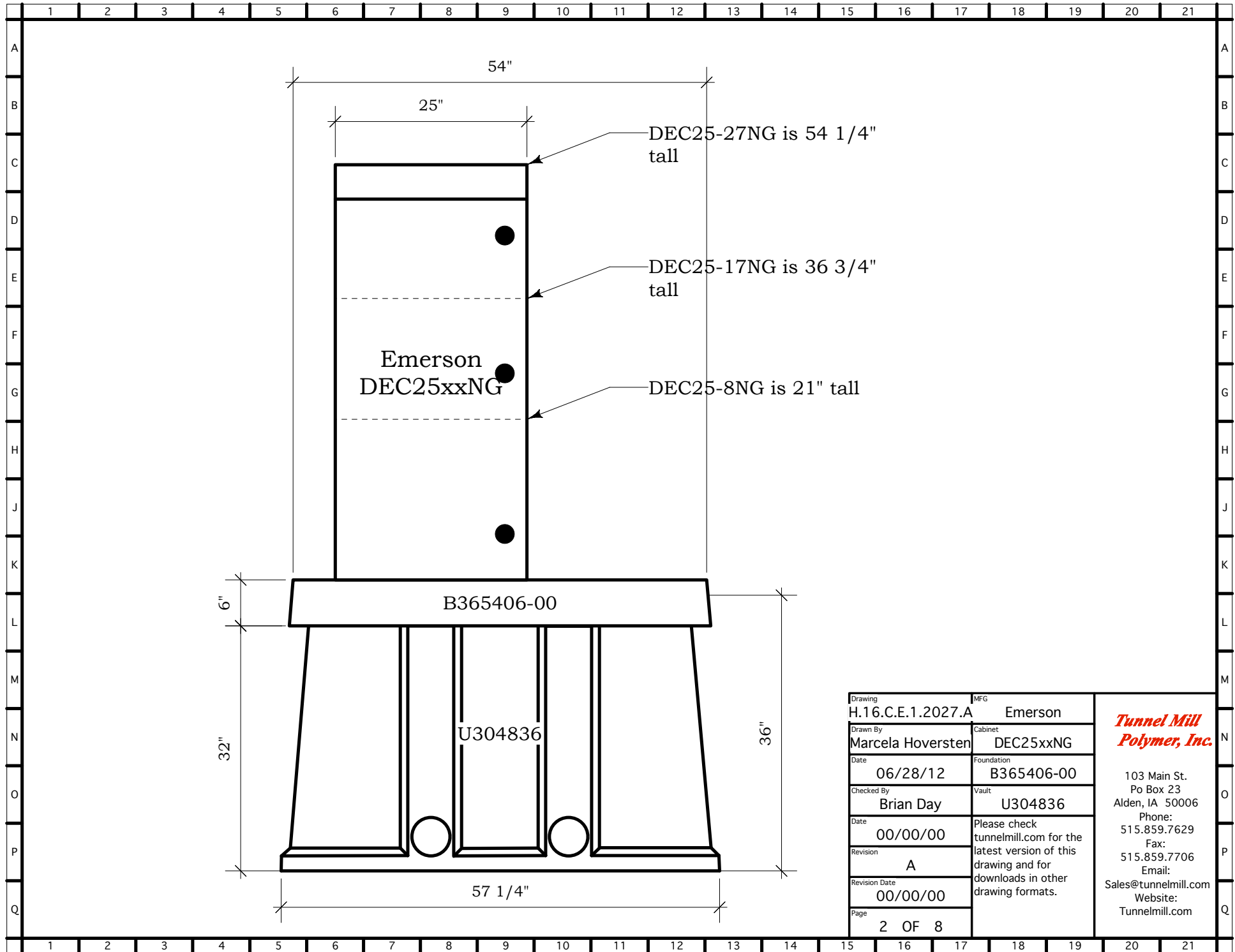


Drawing	MFG	<p><i>Tunnel Mill Polymer, Inc.</i></p> <p>103 Main St. Po Box 23 Alden, IA 50006 Phone: 515.859.7629 Fax: 515.859.7706 Email: Sales@tunnelmill.com Website: Tunnelmill.com</p>
H.16.C.E.1.2027.A	Emerson	
Drawn By	Cabinet	
Marcela Hoversten	DEC25xxNG	
Date	Foundation	
06/28/12	B365406-00	
Checked By	Vault	
Brian Day	U304836	
Date	Please check tunnelmill.com for the latest version of this drawing and for downloads in other drawing formats.	
00/00/00		
Revision		
A		
Revision Date		
00/00/00		
Page		
1 OF 8		



Emerson
DEC25xxNG

54"

25"

DEC25-27NG is 54 1/4" tall

DEC25-17NG is 36 3/4" tall

DEC25-8NG is 21" tall

B365406-00

U304836

6"

32"

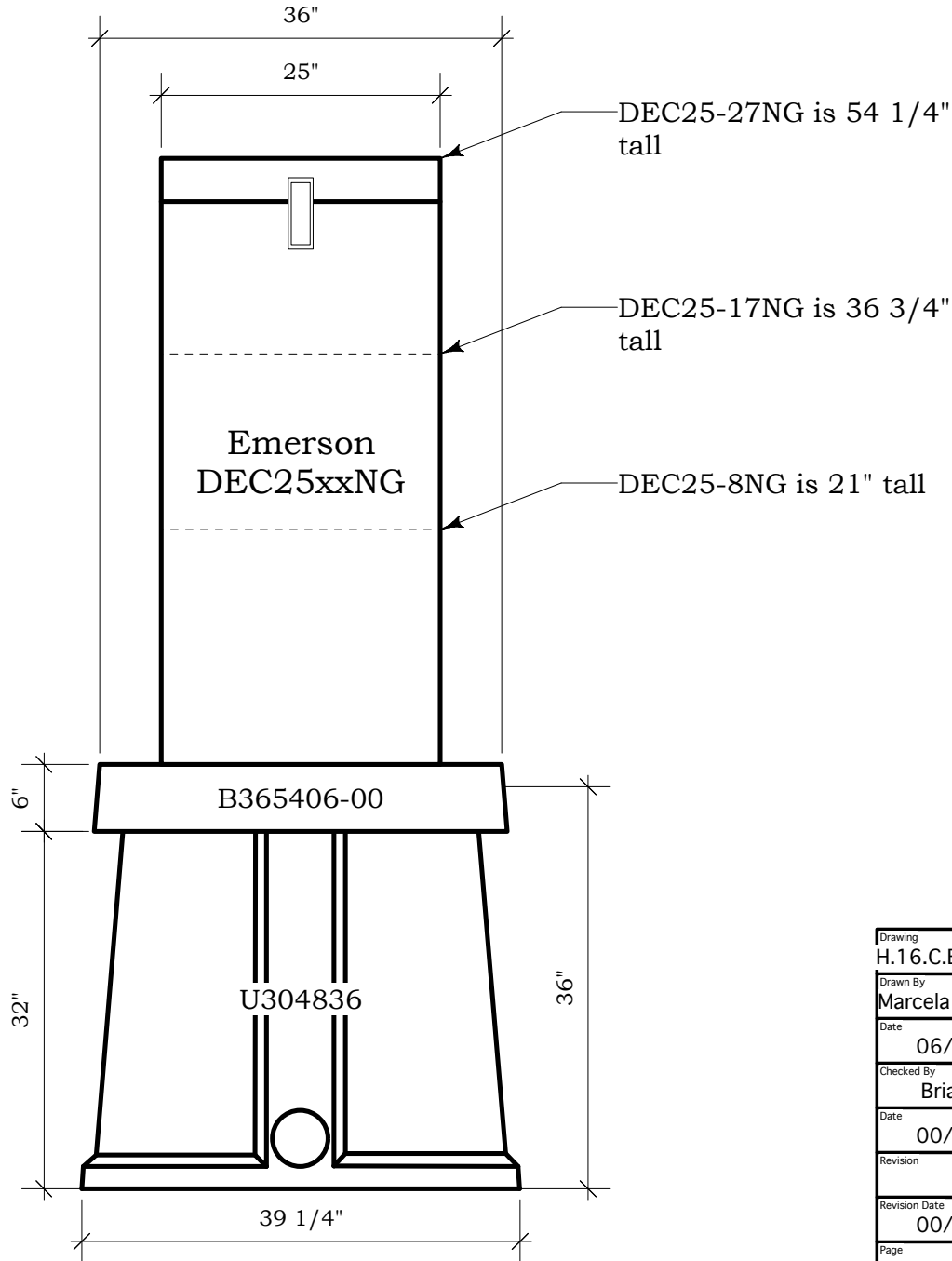
36"

57 1/4"

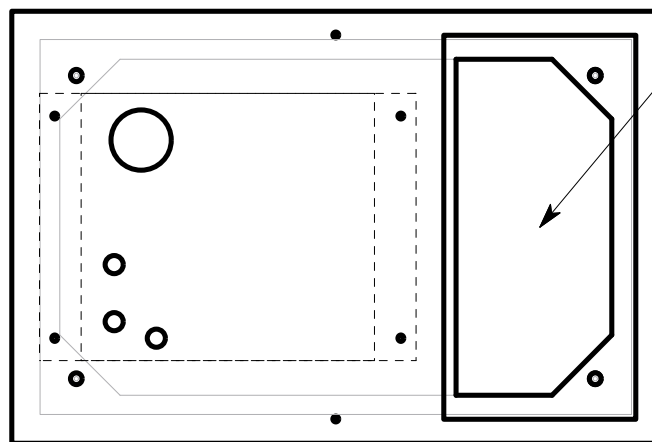
Drawing	H.16.C.E.1.2027.A	MFG	Emerson
Drawn By	Marcela Hoversten	Cabinet	DEC25xxNG
Date	06/28/12	Foundation	B365406-00
Checked By	Brian Day	Vault	U304836
Date	00/00/00	Please check tunnelmill.com for the latest version of this drawing and for downloads in other drawing formats.	
Revision	A		
Revision Date	00/00/00		
Page	2 OF 8		

**Tunnel Mill
Polymer, Inc.**

103 Main St.
Po Box 23
Alden, IA 50006
Phone: 515.859.7629
Fax: 515.859.7706
Email: Sales@tunnelmill.com
Website: Tunnelmill.com



Drawing	MFG	<p><i>Tunnel Mill Polymer, Inc.</i></p> <p>103 Main St. Po Box 23 Alden, IA 50006 Phone: 515.859.7629 Fax: 515.859.7706 Email: Sales@tunnelmill.com Website: Tunnelmill.com</p>
H.16.C.E.1.2027.A	Emerson	
Drawn By	Cabinet	
Marcela Hoversten	DEC25xxNG	
Date	Foundation	
06/28/12	B365406-00	
Checked By	Vault	<p>Please check tunnelmill.com for the latest version of this drawing and for downloads in other drawing formats.</p>
Brian Day	U304836	
Date		
00/00/00		
Revision		
A		
Revision Date		
00/00/00		
Page		
3 OF 8		



16" x 32" hatch

Drawing	MFG	<p><i>Tunnel Mill Polymer, Inc.</i></p> <p>103 Main St. Po Box 23 Alden, IA 50006 Phone: 515.859.7629 Fax: 515.859.7706 Email: Sales@tunnelmill.com Website: Tunnelmill.com</p>
H.16.C.E.1.2027.A	Emerson	
Drawn By	Cabinet	
Marcela Hoversten	DEC25xxNG	
Date	Foundation	
06/28/12	B365406-00	
Checked By	Vault	
Brian Day	U304836	
Date	Please check tunnelmill.com for the latest version of this drawing and for downloads in other drawing formats.	
00/00/00		
Revision		
A		
Revision Date		
00/00/00		
Page		
4 OF 8		