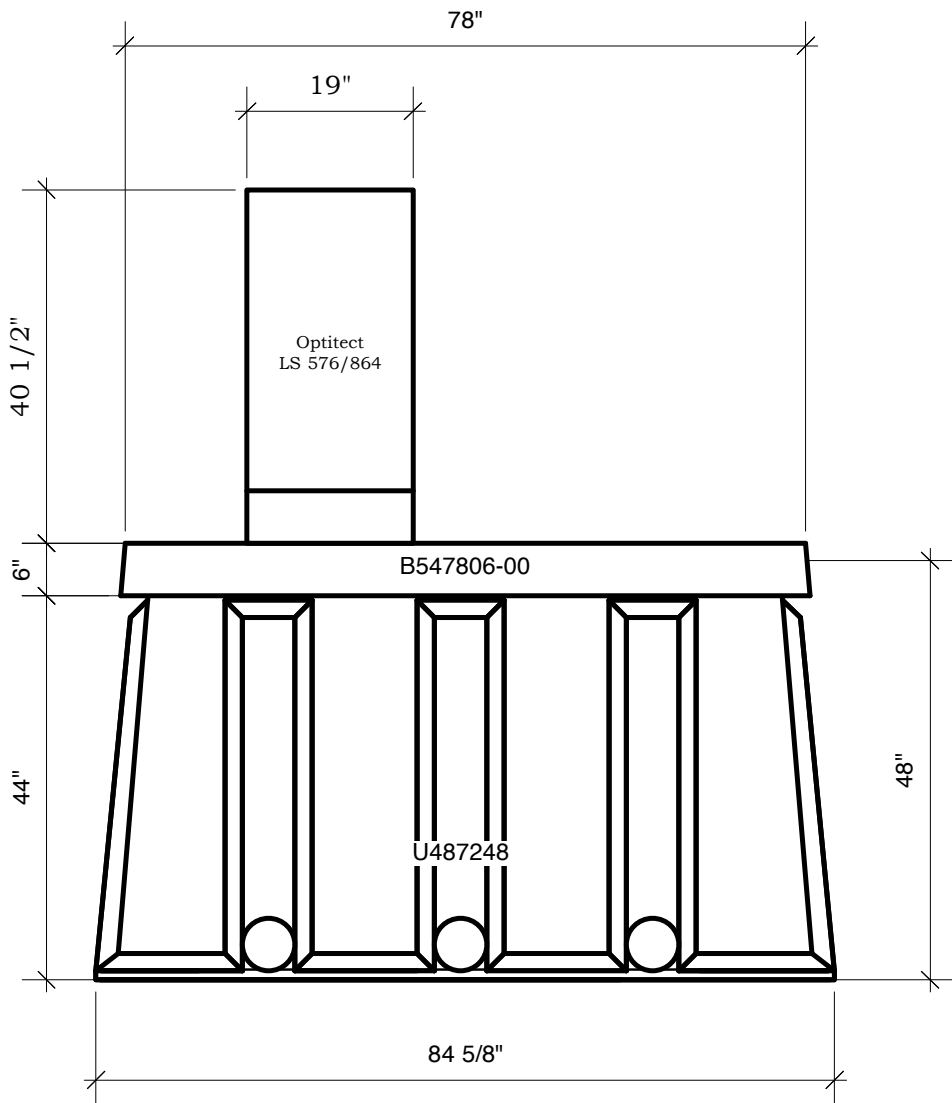


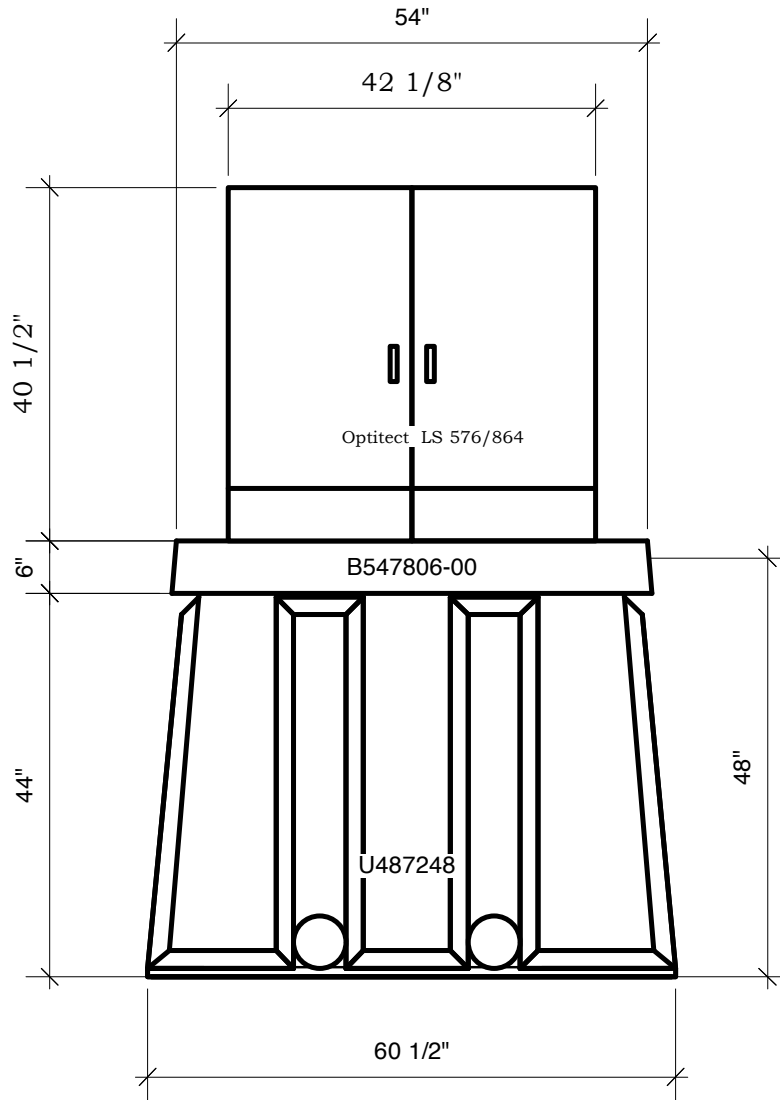
Drawing	U.03.K.G.2.115.A	MFG	Corning	<i>Tunnel Mill Polymer, Inc.</i>
Drawn By	Marcela Hoverste	Cabinet	OptiTect LS 576/864	
Date	03/16/10	Foundation	B547806-00	103 Main St. Po Box 23 Alden, IA 50006 Phone: 515.859.7629 Fax: 515.859.7706 Email: Sales@tunnelmill.com Website: Tunnelmill.com
Checked By	Brian Day	Vault	U487248	
Date	00/00/00	Please check tunnelmill.com for the latest version of this drawing and for downloads in other drawing formats.		
Revision	A			
Revision Date	00/00/00			
Page	1 OF 8			



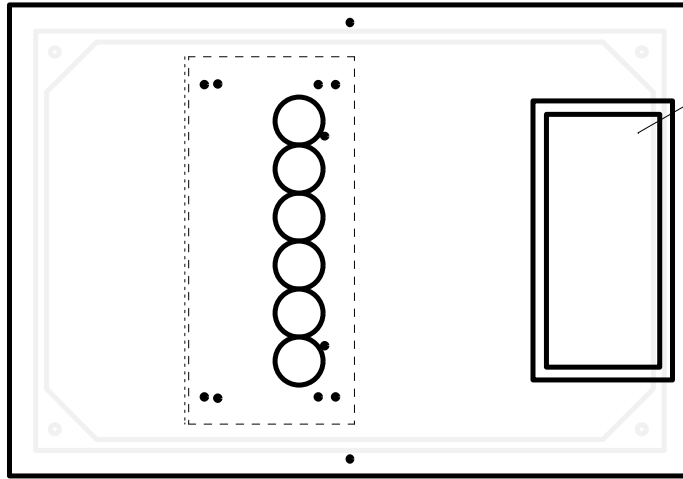
Drawing	MFG	Corning
U.03.K.G.2.115.A	Cabinet	
Drawn By	Foundation	B547806-00
Marcela Hoverst	Vault	
Date	03/16/10	U487248
Checked By	Brian Day	
Date	00/00/00	Please check tunnelmill.com for the latest version of this drawing and for downloads in other drawing formats.
Revision	A	
Revision Date	00/00/00	
Page	2 OF 8	

***Tunnel Mill
Polymer, Inc.***

103 Main St.
Po Box 23
Alden, IA 50006
Phone:
515.859.7629
Fax:
515.859.7706
Email:
Sales@tunnelmill.com
Website:
Tunnelmill.com



Drawing	U.03.K.G.2.115.A	MFG	Corning	<i>Tunnel Mill Polymer, Inc.</i>
Drawn By	Marcela Hoverste	Cabinet	OptiText LS 576/864	
Date	03/16/10	Foundation	B547806-00	103 Main St. Po Box 23 Alden, IA 50006 Phone: 515.859.7629 Fax: 515.859.7706 Email: Sales@tunnelmill.com Website: Tunnelmill.com
Checked By	Brian Day	Vault	U487248	
Date	00/00/00	Please check tunnelmill.com for the latest version of this drawing and for downloads in other drawing formats.		
Revision	A			
Revision Date	00/00/00			
Page	3 OF 8			



16" x 32" HATCH

Drawing	U.03.K.G.2.115.A	MFG	Corning
Drawn By	Marcela Hoverste	Cabinet	OptiTect LS 576/864
Date	03/16/10	Foundation	B547806-00
Checked By	Brian Day	Vault	U487248
Date	00/00/00	Please check tunnelmill.com for the latest version of this drawing and for downloads in other drawing formats.	
Revision	A		
Revision Date	00/00/00		
Page	4 OF 8		
<i>Tunnel Mill Polymer, Inc.</i> 103 Main St. Po Box 23 Alden, IA 50006 Phone: 515.859.7629 Fax: 515.859.7706 Email: Sales@tunnelmill.com Website: Tunnelmill.com			