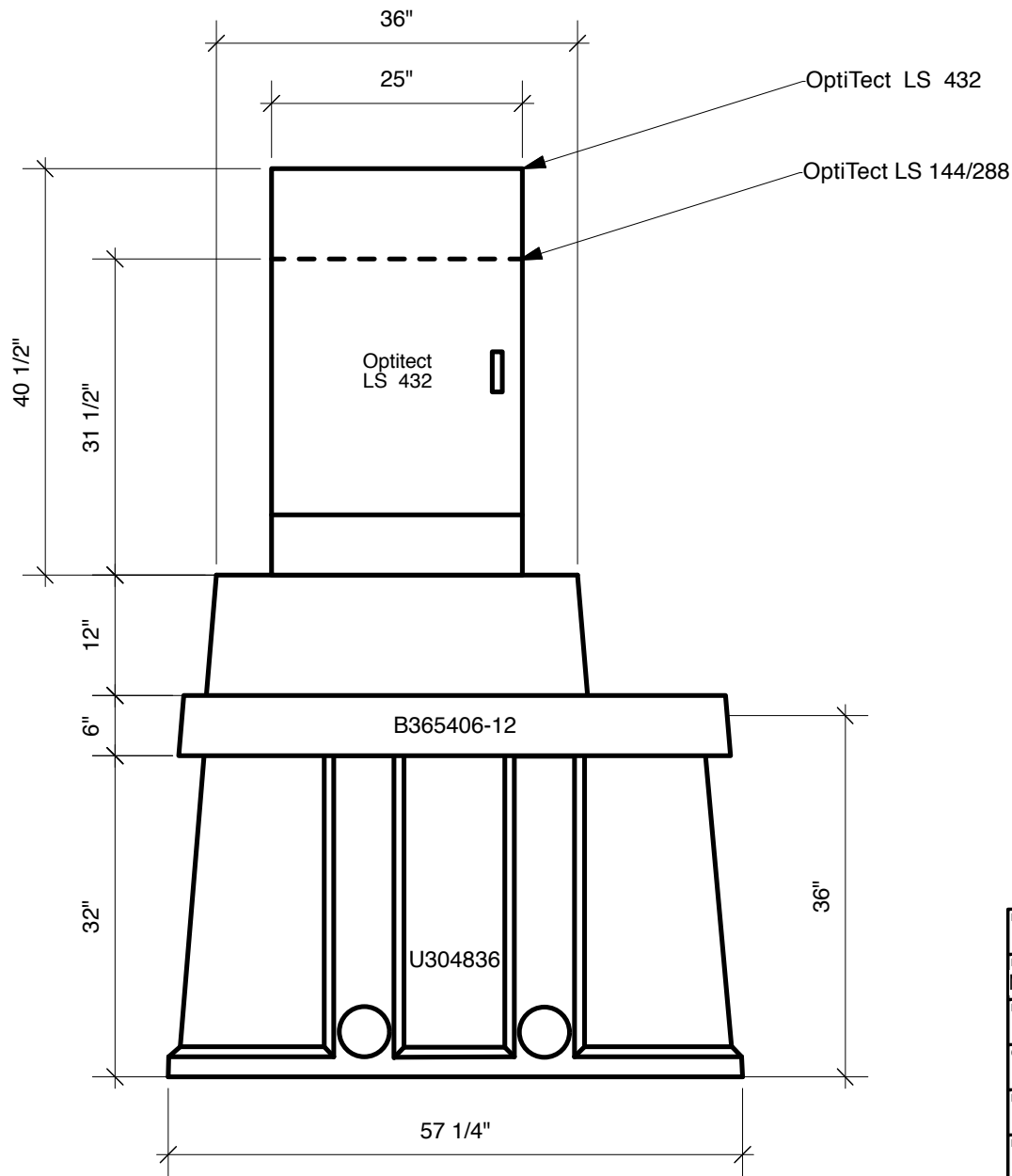


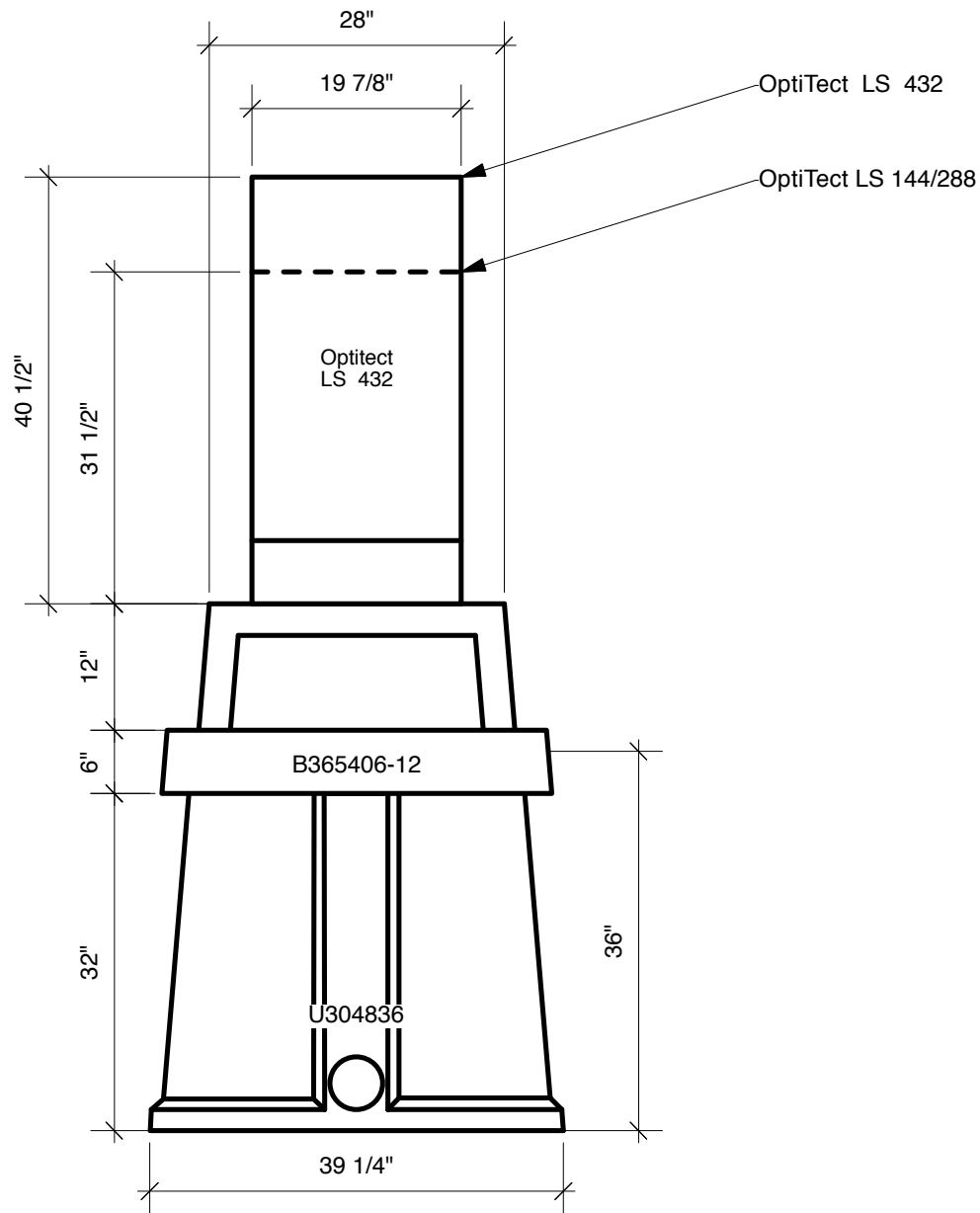
Drawing	U.02.D.E.1.110.A	MFG	Corning_OptiTect	<p><i>Tunnel Mill Polymer, Inc.</i></p> <p>103 Main St. Po Box 23 Alden, IA 50006 Phone: 515.859.7629 Fax: 515.859.7706 Email: Sales@tunnelmill.com Website: Tunnelmill.com</p>
Drawn By	Marcela Hoversten	Cabinet	LS 144/288/432	
Date	03/18/10	Foundation	B365406-12	
Checked By	Brian Day	Vault	U304836	
Date	00/00/00	Please check tunnelmill.com for the latest version of this drawing and for downloads in other drawing formats.		
Revision	A			
Revision Date	00/00/00			
Page	1 OF 8			



Drawing	MFG
U.02.D.E.1.110.A	Corning_OptiTect
Drawn By	Cabinet
Marcela Hoversten	LS 144/288/432
Date	Foundation
03/18/10	B365406-12
Checked By	Vault
Brian Day	U304836
Date	Please check tunnelmill.com for the latest version of this drawing and for downloads in other drawing formats.
00/00/00	
Revision	
A	
Revision Date	Sales@tunnelmill.com Website: Tunnelmill.com
00/00/00	
Page	
2 OF 8	

***Tunnel Mill
Polymer, Inc.***

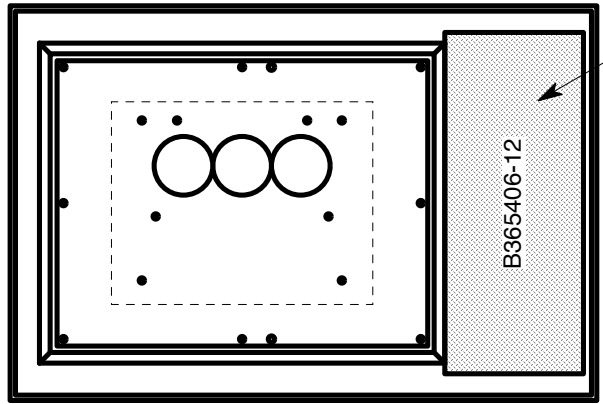
103 Main St.
Po Box 23
Alden, IA 50006
Phone:
515.859.7629
Fax:
515.859.7706
Email:
Sales@tunnelmill.com
Website:
Tunnelmill.com



Drawing	MFG
U.02.D.E.1.110.A	Corning_OptiTect
Drawn By	Cabinet
Marcela Hoversten	LS 144/288/432
Date	Foundation
03/18/10	B365406-12
Checked By	Vault
Brian Day	U304836
Date	Please check tunnelmill.com for the latest version of this drawing and for downloads in other drawing formats.
Revision	
A	
Revision Date	
00/00/00	
Page	
3 OF 8	

***Tunnel Mill
Polymer, Inc.***

103 Main St.
Po Box 23
Alden, IA 50006
Phone:
515.859.7629
Fax:
515.859.7706
Email:
Sales@tunnelmill.com
Website:
Tunnelmill.com



13" x 32" HATCH

B365406-12

Drawing	U.02.D.E.1.110.A	MFG	Corning_OptiTect	<p><i>Tunnel Mill Polymer, Inc.</i></p> <p>103 Main St. Po Box 23 Alden, IA 50006 Phone: 515.859.7629 Fax: 515.859.7706 Email: Sales@tunnelmill.com Website: Tunnelmill.com</p>
Drawn By	Marcela Hoversten	Cabinet	LS 144/288/432	
Date	03/18/10	Foundation	B365406-12	
Checked By	Brian Day	Vault	U304836	
Date	00/00/00	Please check tunnelmill.com for the latest version of this drawing and for downloads in other drawing formats.		
Revision	A			
Revision Date	00/00/00			
Page	4 OF 8			