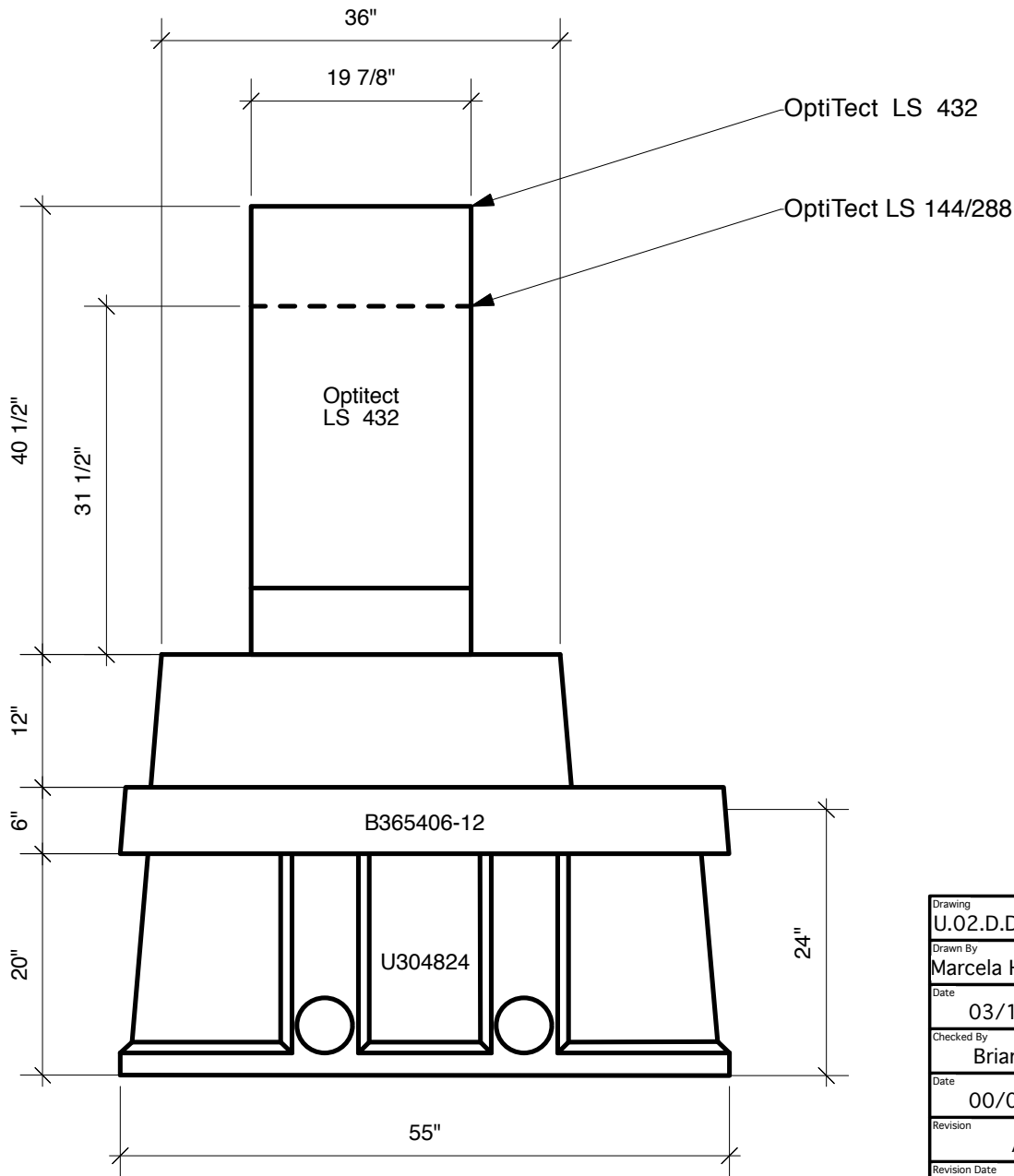


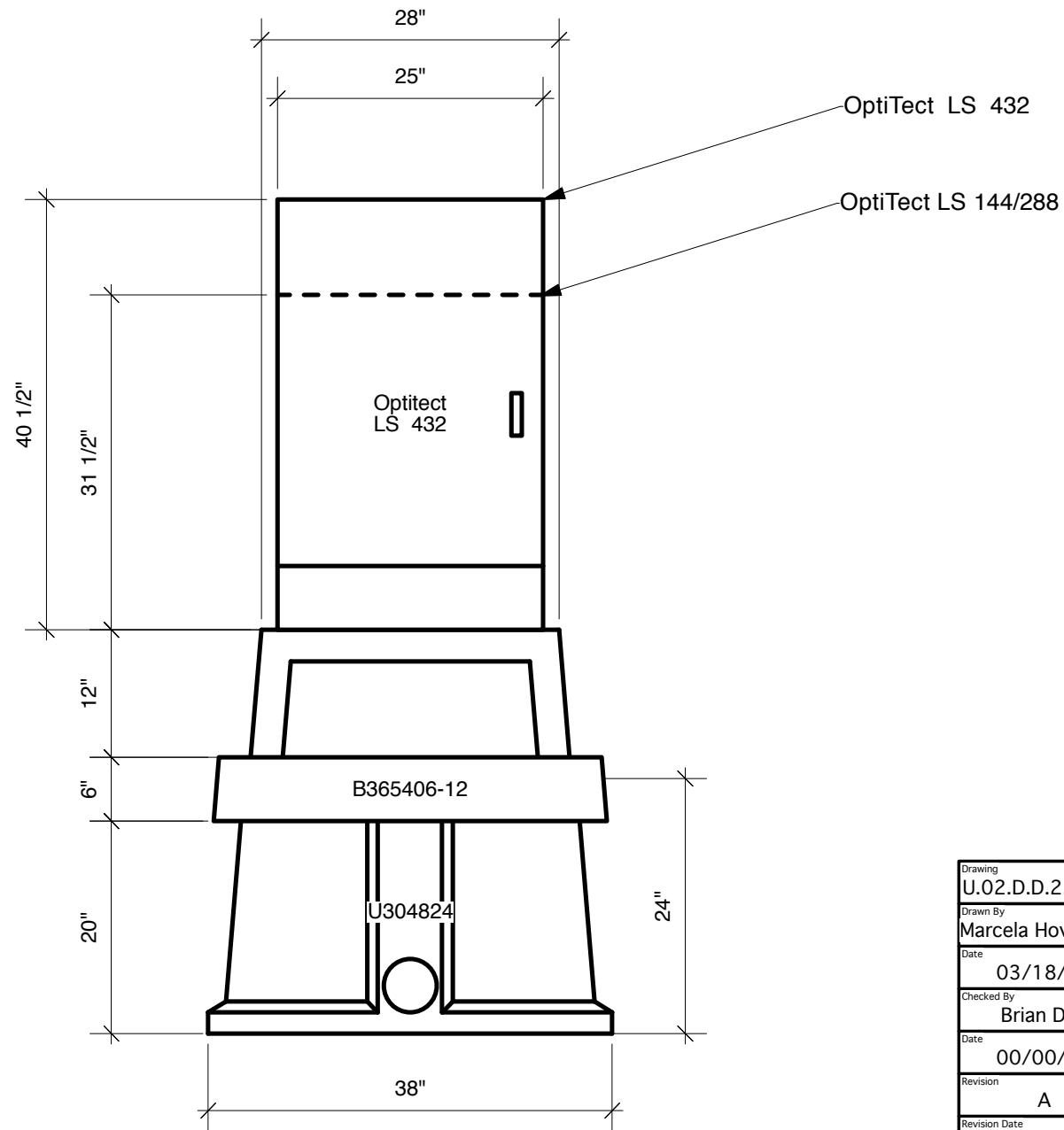
Drawing	U.02.D.D.2.111.A	MFG	Corning_OptiTect
Drawn By	Marcela Hoversten	Cabinet	LS 144/288/432
Date	03/18/10	Foundation	B365406-12_AP
Checked By	Brian Day	Vault	U304824
Date	00/00/00	Please check tunnelmill.com for the latest version of this drawing and for downloads in other drawing formats.	
Revision	A		
Revision Date	00/00/00		
Page	1 OF 8	<p><b><i>Tunnel Mill Polymer, Inc.</i></b></p> <p>103 Main St. Po Box 23 Alden, IA 50006 Phone: 515.859.7629 Fax: 515.859.7706 Email: Sales@tunnelmill.com Website: Tunnelmill.com</p>	



Drawing	U.02.D.D.2.111.A	MFG	Corning_OptiText
Drawn By	Marcela Hoversten	Cabinet	LS 144/288/432
Date	03/18/10	Foundation	B365406-12_AP
Checked By	Brian Day	Vault	U304824
Date	00/00/00	Please check tunnelmill.com for the latest version of this drawing and for downloads in other drawing formats.	
Revision	A		
Revision Date	00/00/00		
Page	2 OF 8		

***Tunnel Mill  
Polymer, Inc.***

103 Main St.  
Po Box 23  
Alden, IA 50006  
Phone: 515.859.7629  
Fax: 515.859.7706  
Email: Sales@tunnelmill.com  
Website: Tunnelmill.com



OptiTect LS 432

OptiTect LS 144/288

Optitect  
LS 432

B365406-12

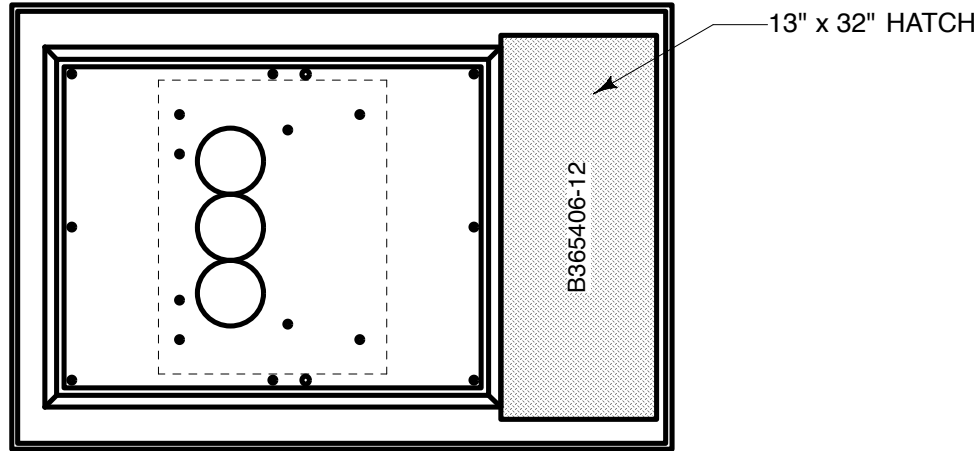
U304824

Drawing	U.02.D.D.2.111.A	MFG	Corning_OptiTect
Drawn By	Marcela Hoversten	Cabinet	LS 144/288/432
Date	03/18/10	Foundation	B365406-12_AP
Checked By	Brian Day	Vault	U304824
Date	00/00/00	Please check tunnelmill.com for the latest version of this drawing and for downloads in other drawing formats.	
Revision	A		
Revision Date	00/00/00		
Page	3 OF 8		

**Tunnel Mill  
Polymer, Inc.**

103 Main St.  
Po Box 23  
Alden, IA 50006  
Phone:  
515.859.7629  
Fax:  
515.859.7706  
Email:

Sales@tunnelmill.com  
Website:  
Tunnelmill.com



Drawing	U.02.D.D.2.111.A	MFG	Corning_OptiTect	<b><i>Tunnel Mill Polymer, Inc.</i></b>  103 Main St. Po Box 23 Alden, IA 50006 Phone: 515.859.7629 Fax: 515.859.7706 Email: Sales@tunnelmill.com Website: Tunnelmill.com
Drawn By	Marcela Hoversten	Cabinet	LS 144/288/432	
Date	03/18/10	Foundation	B365406-12_AP	
Checked By	Brian Day	Vault	U304824	
Date	00/00/00	Please check tunnelmill.com for the latest version of this drawing and for downloads in other drawing formats.		
Revision	A			
Revision Date	00/00/00			
Page	4 OF 8			