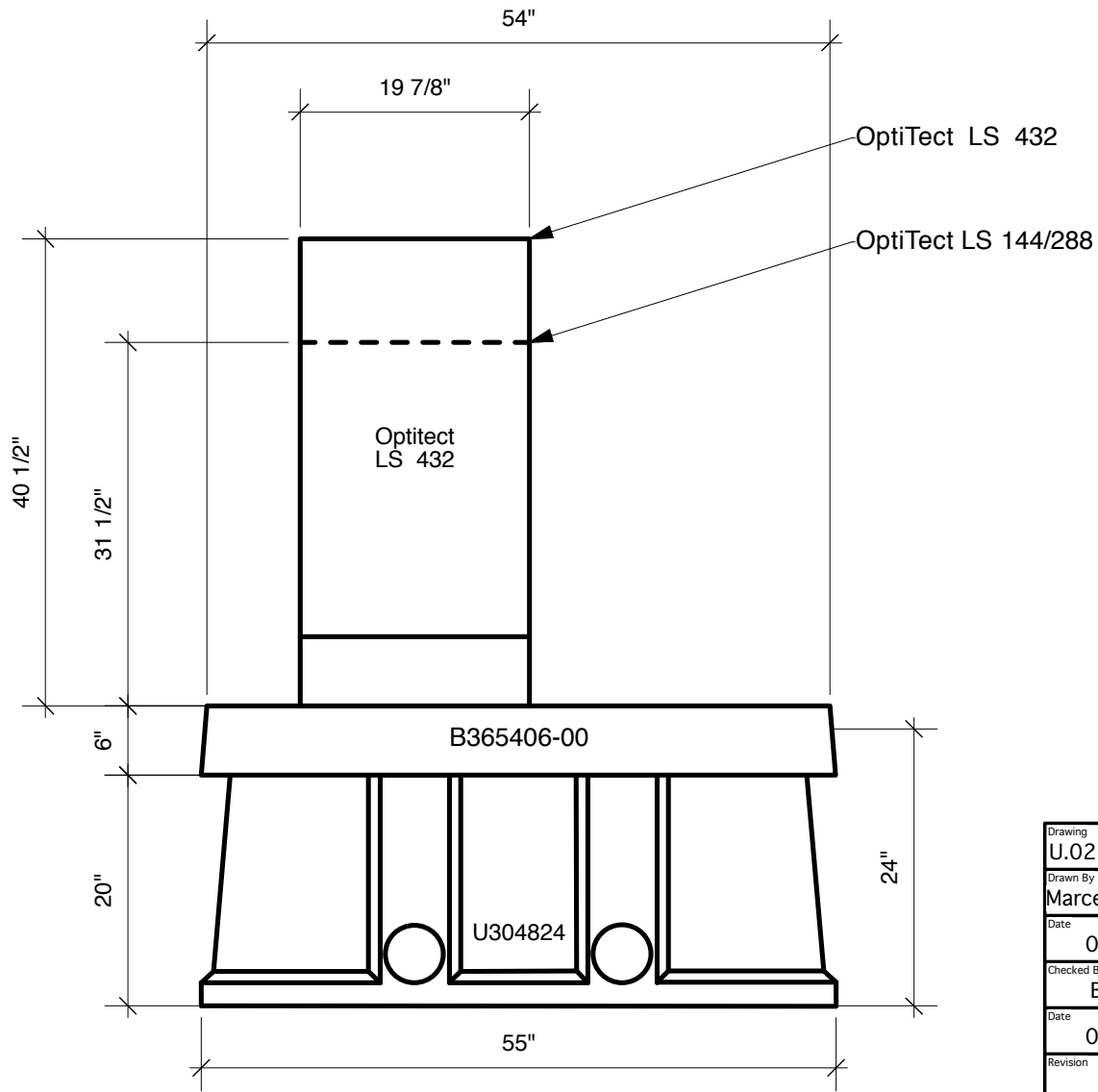


Drawing	U.02.C.D.2.109.A	MFG	Corning_OptiTect	<p><b><i>Tunnel Mill Polymer, Inc.</i></b></p> <p>103 Main St. Po Box 23 Alden, IA 50006 Phone: 515.859.7629 Fax: 515.859.7706 Email: Sales@tunnelmill.com Website: Tunnelmill.com</p>
Drawn By	Marcela Hoversten	Cabinet	LS 144/288/432	
Date	03/18/10	Foundation	B365406-00	
Checked By	Brian Day	Vault	U304824	
Date	00/00/00	Please check tunnelmill.com for the latest version of this drawing and for downloads in other drawing formats.		
Revision	A			
Revision Date	00/00/00			
Page	1 OF 8			



OptiTect LS 432

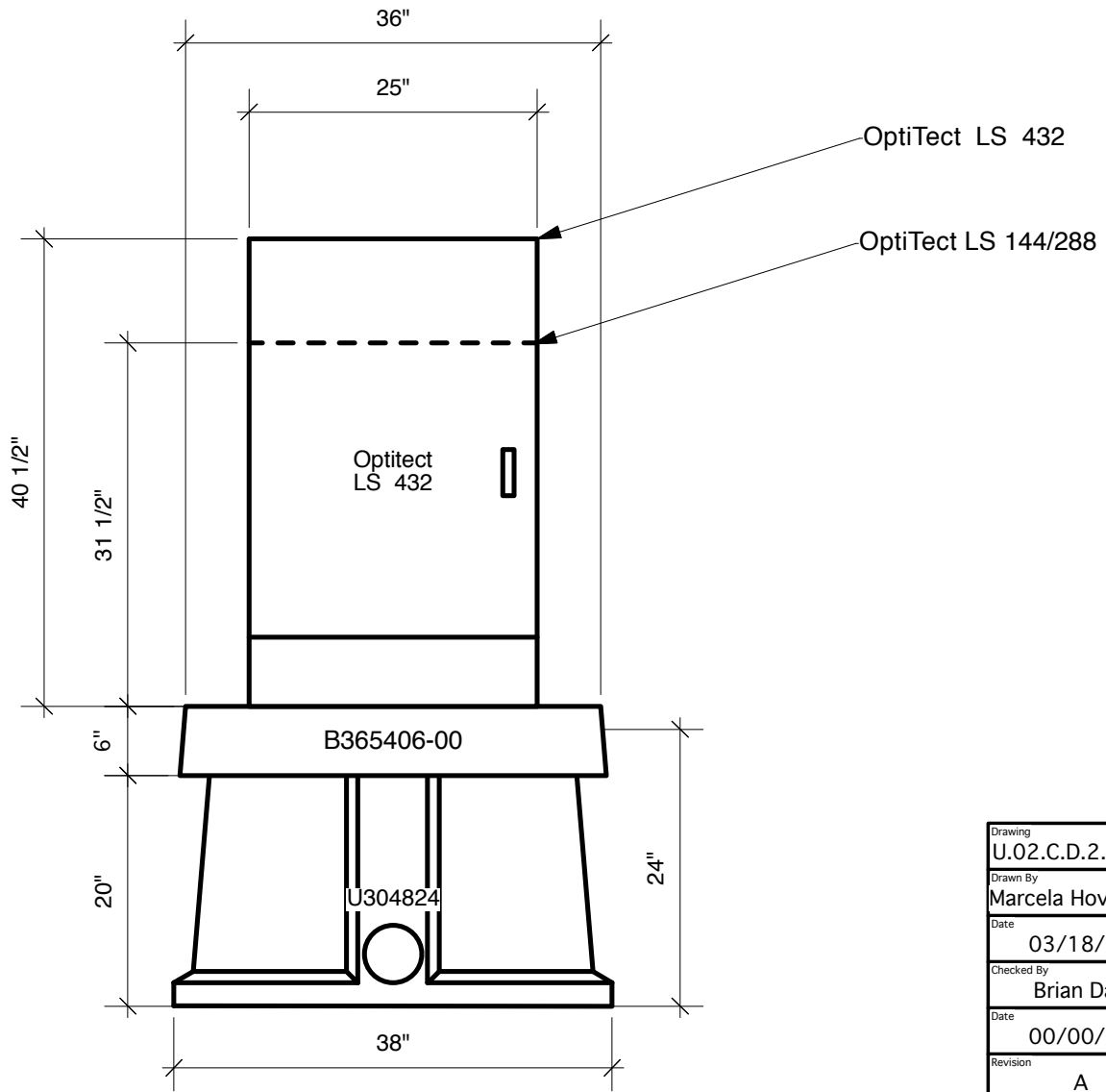
OptiTect LS 144/288

Optitect  
LS 432

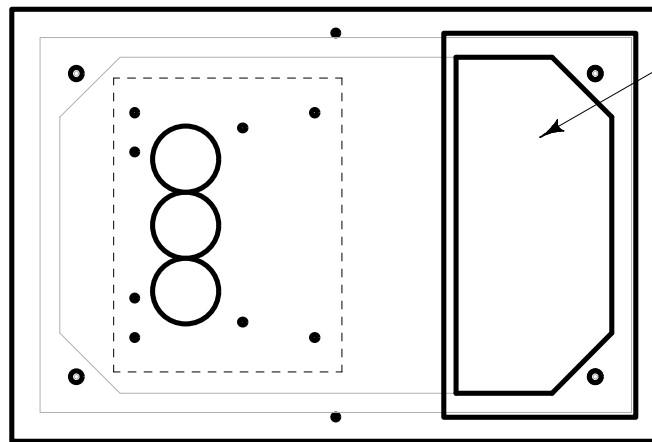
B365406-00

U304824

Drawing	MFG	<p><b><i>Tunnel Mill Polymer, Inc.</i></b></p> <p>103 Main St. Po Box 23 Alden, IA 50006 Phone: 515.859.7629 Fax: 515.859.7706 Email: Sales@tunnelmill.com Website: Tunnelmill.com</p>
U.02.C.D.2.109.A	Corning_OptiTect	
Drawn By	Cabinet	
Marcela Hoversten	LS 144/288/432	
Date	Foundation	
03/18/10	B365406-00	
Checked By	Vault	
Brian Day	U304824	
Date	Please check tunnelmill.com for the latest version of this drawing and for downloads in other drawing formats.	
00/00/00		
Revision		
A		
Revision Date		
00/00/00		
Page		
2 OF 8		



Drawing	U.02.C.D.2.109.A	MFG	Corning_OptiTect	<b><i>Tunnel Mill Polymer, Inc.</i></b>  103 Main St. Po Box 23 Alden, IA 50006 Phone: 515.859.7629 Fax: 515.859.7706 Email: Sales@tunnelmill.com Website: Tunnelmill.com	
Drawn By	Marcela Hoversten	Cabinet	LS 144/288/432		
Date	03/18/10	Foundation	B365406-00		
Checked By	Brian Day	Vault	U304824		
Date	00/00/00	Please check tunnelmill.com for the latest version of this drawing and for downloads in other drawing formats.			
Revision	A	Revision Date	00/00/00	Page	3 OF 8



16" x 32" HATCH

Drawing	U.02.C.D.2.109.A	MFG	Corning_OptiTect
Drawn By	Marcela Hoversten	Cabinet	LS 144/288/432
Date	03/18/10	Foundation	B365406-00
Checked By	Brian Day	Vault	U304824
Date	00/00/00	Please check tunnelmill.com for the latest version of this drawing and for downloads in other drawing formats.	
Revision	A		
Revision Date	00/00/00		
Page	4 OF 8		
<b><i>Tunnel Mill Polymer, Inc.</i></b> 103 Main St. Po Box 23 Alden, IA 50006 Phone: 515.859.7629 Fax: 515.859.7706 Email: Sales@tunnelmill.com Website: Tunnelmill.com			