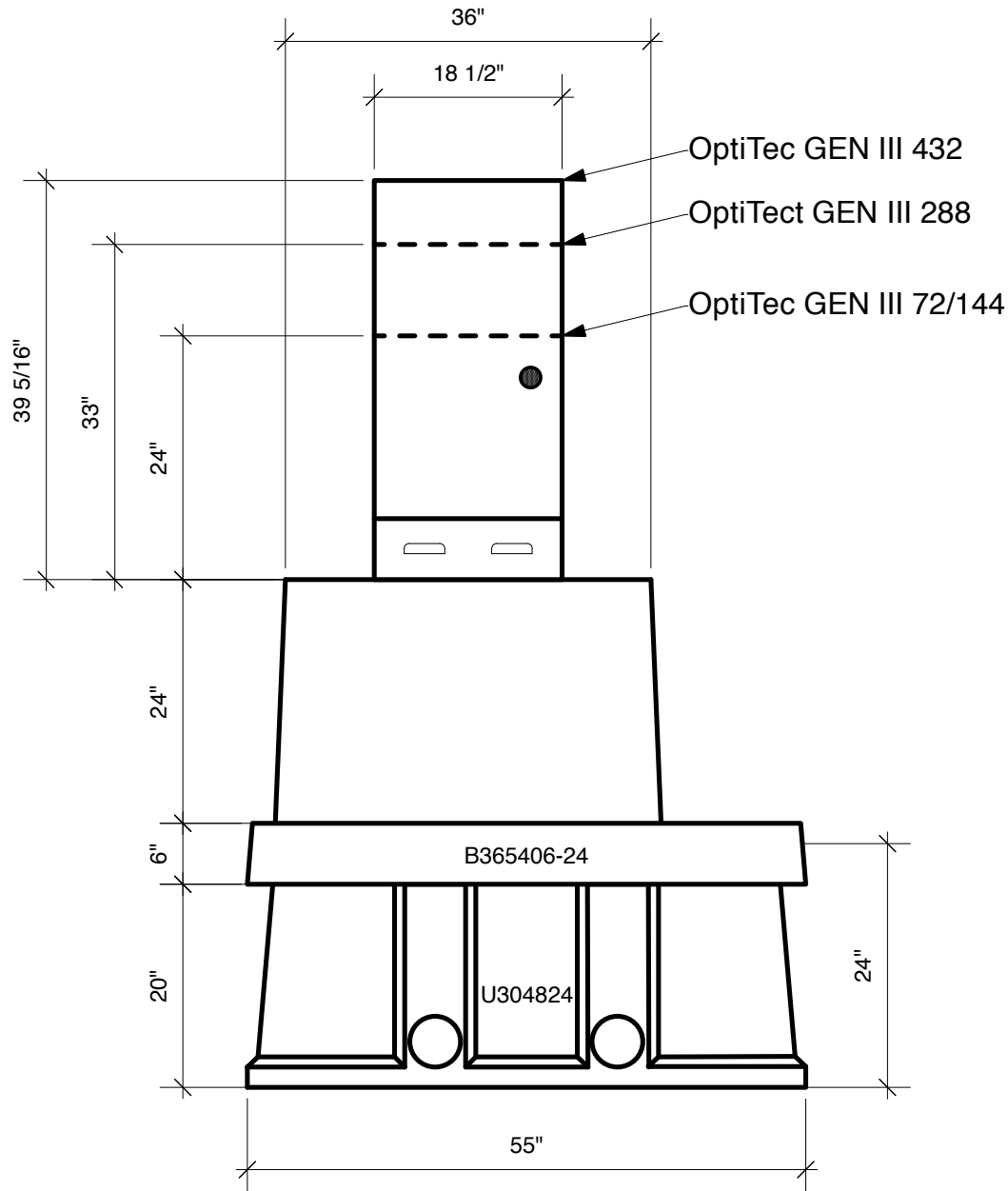


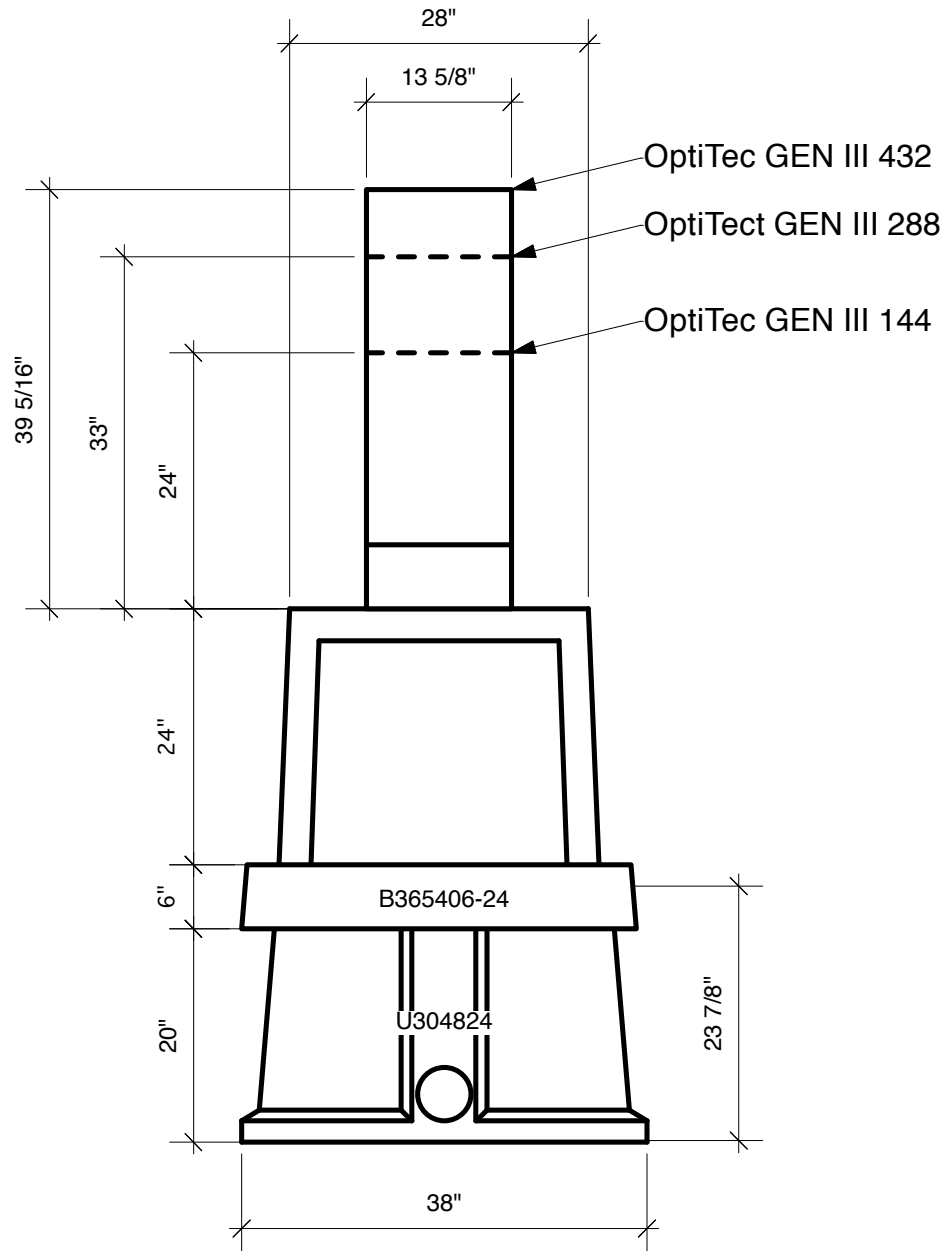
Drawing	U.01.E.D.1.104.A	MFG	Corning	<i>Tunnel Mill Polymer, Inc.</i> 103 Main St. Po Box 23 Alden, IA 50006 Phone: 515.859.7629 Fax: 515.859.7706 Email: Sales@tunnelmill.com Website: Tunnelmill.com
Drawn By	Marcela Hoversten	Cabinet	OptiTect Gen III	
Date	03/01/10	Foundation	B365406-24	
Checked By	Brian Day	Vault	U304824	
Date	00/00/00	Please check tunnelmill.com for the latest version of this drawing and for downloads in other drawing formats.		
Revision	A			
Revision Date	00/00/00			
Page	1 OF 8			



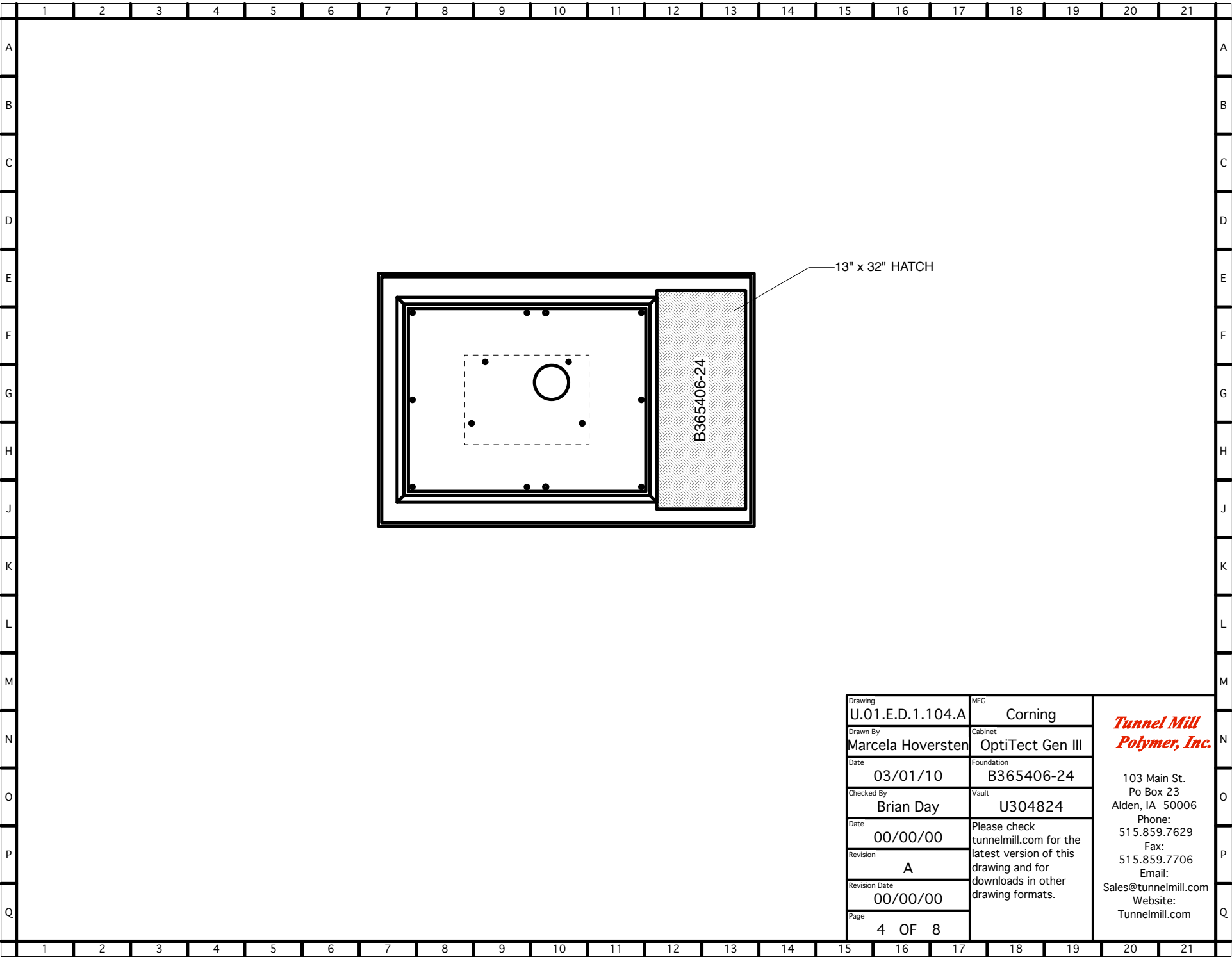
Drawing	MFG
U.01.E.D.1.104.A	Corning
Drawn By	Cabinet
Marcela Hoversten	OptiTect Gen III
Date	Foundation
03/01/10	B365406-24
Checked By	Vault
Brian Day	U304824
Date	Please check tunnelmill.com for the latest version of this drawing and for downloads in other drawing formats.
00/00/00	
Revision	
A	
Revision Date	Sales@tunnelmill.com Website: Tunnelmill.com
00/00/00	
Page	
2 OF 8	

***Tunnel Mill
Polymer, Inc.***

103 Main St.
Po Box 23
Alden, IA 50006
Phone:
515.859.7629
Fax:
515.859.7706
Email:
Sales@tunnelmill.com
Website:
Tunnelmill.com



Drawing	U.01.E.D.1.104.A	MFG	Corning	<i>Tunnel Mill Polymer, Inc.</i> 103 Main St. Po Box 23 Alden, IA 50006 Phone: 515.859.7629 Fax: 515.859.7706 Email: Sales@tunnelmill.com Website: Tunnelmill.com
Drawn By	Marcela Hoversten	Cabinet	OptiTect Gen III	
Date	03/01/10	Foundation	B365406-24	
Checked By	Brian Day	Vault	U304824	
Date	00/00/00	Please check tunnelmill.com for the latest version of this drawing and for downloads in other drawing formats.		
Revision	A			
Revision Date	00/00/00			
Page	3 OF 8			



Drawing	U.01.E.D.1.104.A	MFG	Corning	<i>Tunnel Mill Polymer, Inc.</i> 103 Main St. Po Box 23 Alden, IA 50006 Phone: 515.859.7629 Fax: 515.859.7706 Email: Sales@tunnelmill.com Website: Tunnelmill.com
Drawn By	Marcela Hoversten	Cabinet	OptiTect Gen III	
Date	03/01/10	Foundation	B365406-24	
Checked By	Brian Day	Vault	U304824	
Date	00/00/00	Please check tunnelmill.com for the latest version of this drawing and for downloads in other drawing formats.		
Revision	A			
Revision Date	00/00/00			
Page	4 OF 8			