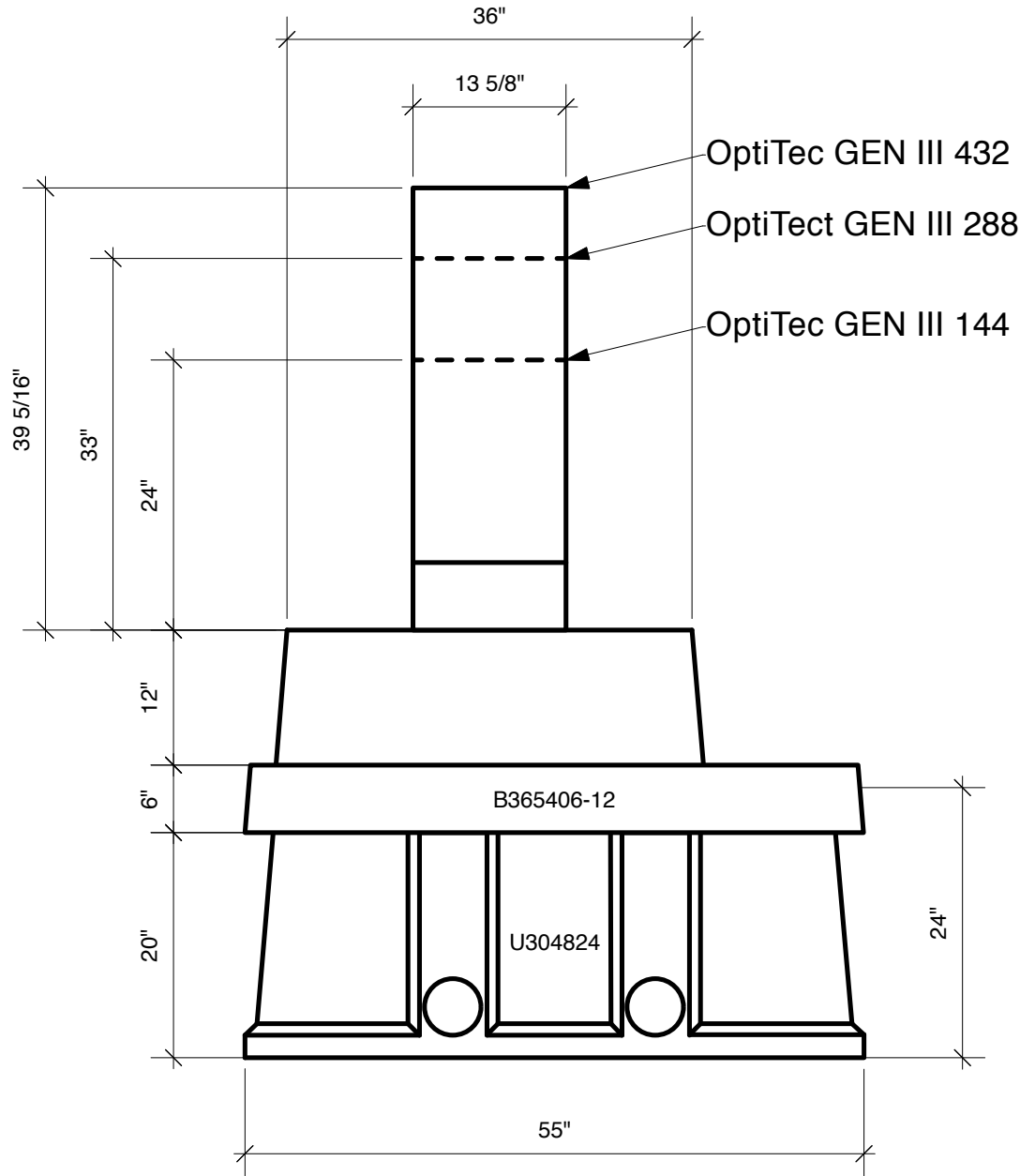
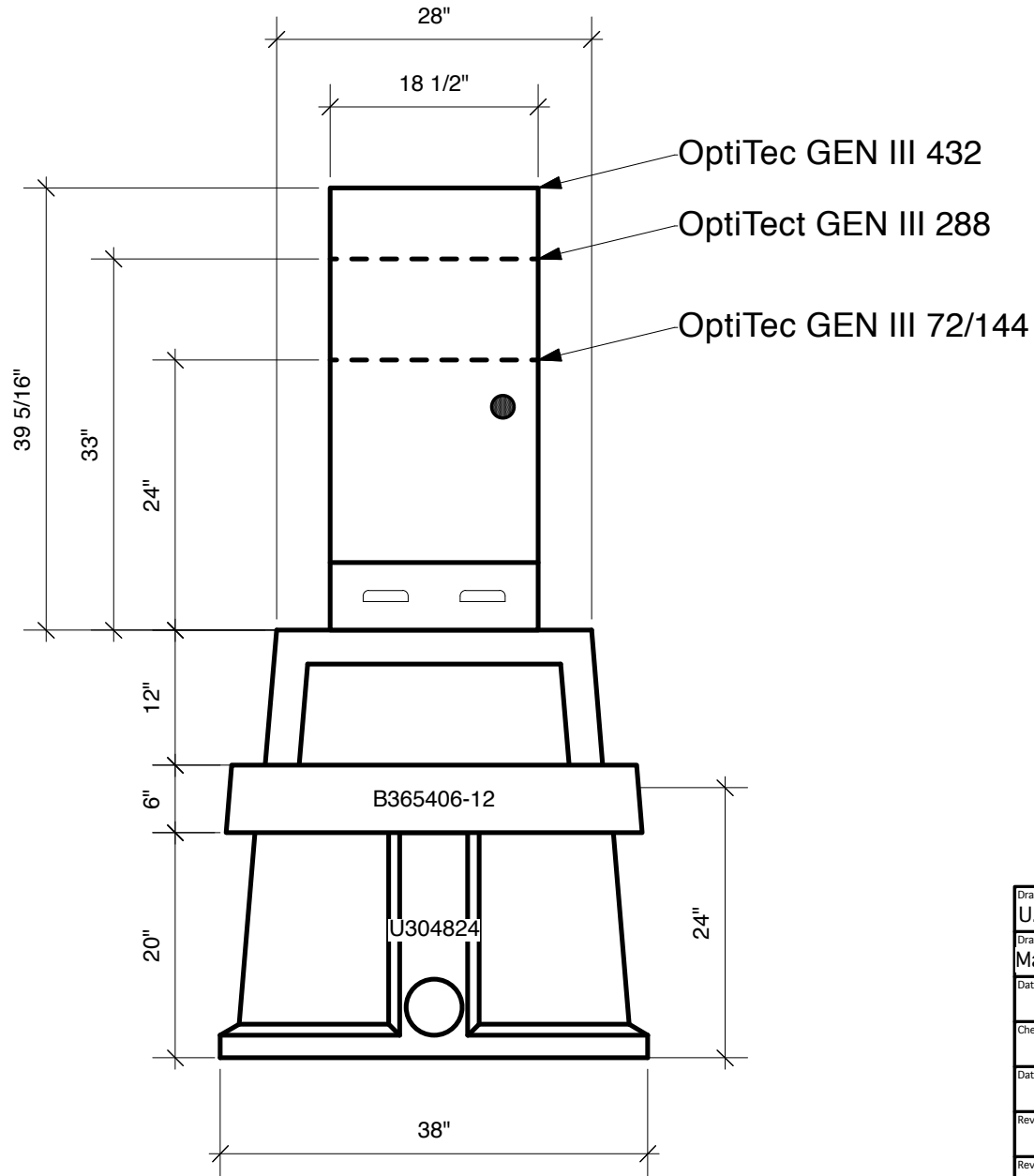


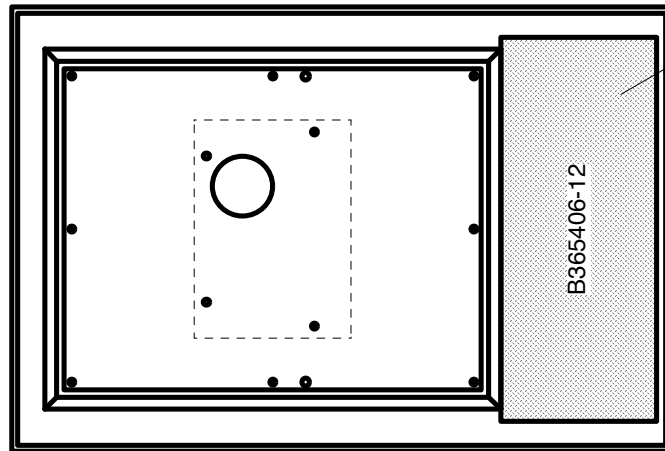
Drawing	U.01.D.D.2.105.A	MFG	Corning	<i>Tunnel Mill Polymer, Inc.</i> 103 Main St. Po Box 23 Alden, IA 50006 Phone: 515.859.7629 Fax: 515.859.7706 Email: Sales@tunnelmill.com Website: Tunnelmill.com
Drawn By	Marcela Hoversten	Cabinet	OptiTect Gen III	
Date	03/01/10	Foundation	B365406-12_AP	
Checked By	Brian Day	Vault	U304824	
Date	00/00/00	Please check tunnelmill.com for the latest version of this drawing and for downloads in other drawing formats.		
Revision	A			
Revision Date	00/00/00			
Page	1 OF 8			



Drawing	MFG	Tunnel Mill Polymer, Inc.
U.01.D.D.2.105.A	Corning	
Drawn By	Cabinet	103 Main St. Po Box 23 Alden, IA 50006 Phone: 515.859.7629 Fax: 515.859.7706 Email: Sales@tunnelmill.com Website: Tunnelmill.com
Marcela Hoversten	OptiTect Gen III	
Date	Foundation	Please check tunnelmill.com for the latest version of this drawing and for downloads in other drawing formats.
03/01/10	B365406-12_AP	
Checked By	Vault	2 OF 8
Brian Day	U304824	
Date	Revision	
00/00/00	A	
Revision	Revision Date	
A	00/00/00	
Page		
2 OF 8		



Drawing	U.01.D.D.2.105.A	MFG	Corning	<i>Tunnel Mill Polymer, Inc.</i> 103 Main St. Po Box 23 Alden, IA 50006 Phone: 515.859.7629 Fax: 515.859.7706 Email: Sales@tunnelmill.com Website: Tunnelmill.com
Drawn By	Marcela Hoversten	Cabinet	OptiTect Gen III	
Date	03/01/10	Foundation	B365406-12_AP	
Checked By	Brian Day	Vault	U304824	
Date	00/00/00	Please check tunnelmill.com for the latest version of this drawing and for downloads in other drawing formats.		
Revision	A			
Revision Date	00/00/00			
Page	3 OF 8			



13" x 32" HATCH

B365406-12

Drawing	U.01.D.D.2.105.A	MFG	Corning	<i>Tunnel Mill Polymer, Inc.</i> 103 Main St. Po Box 23 Alden, IA 50006 Phone: 515.859.7629 Fax: 515.859.7706 Email: Sales@tunnelmill.com Website: Tunnelmill.com
Drawn By	Marcela Hoversten	Cabinet	OptiTect Gen III	
Date	03/01/10	Foundation	B365406-12_AP	
Checked By	Brian Day	Vault	U304824	
Date	00/00/00	Please check tunnelmill.com for the latest version of this drawing and for downloads in other drawing formats.		
Revision	A			
Revision Date	00/00/00			
Page	4 OF 8			