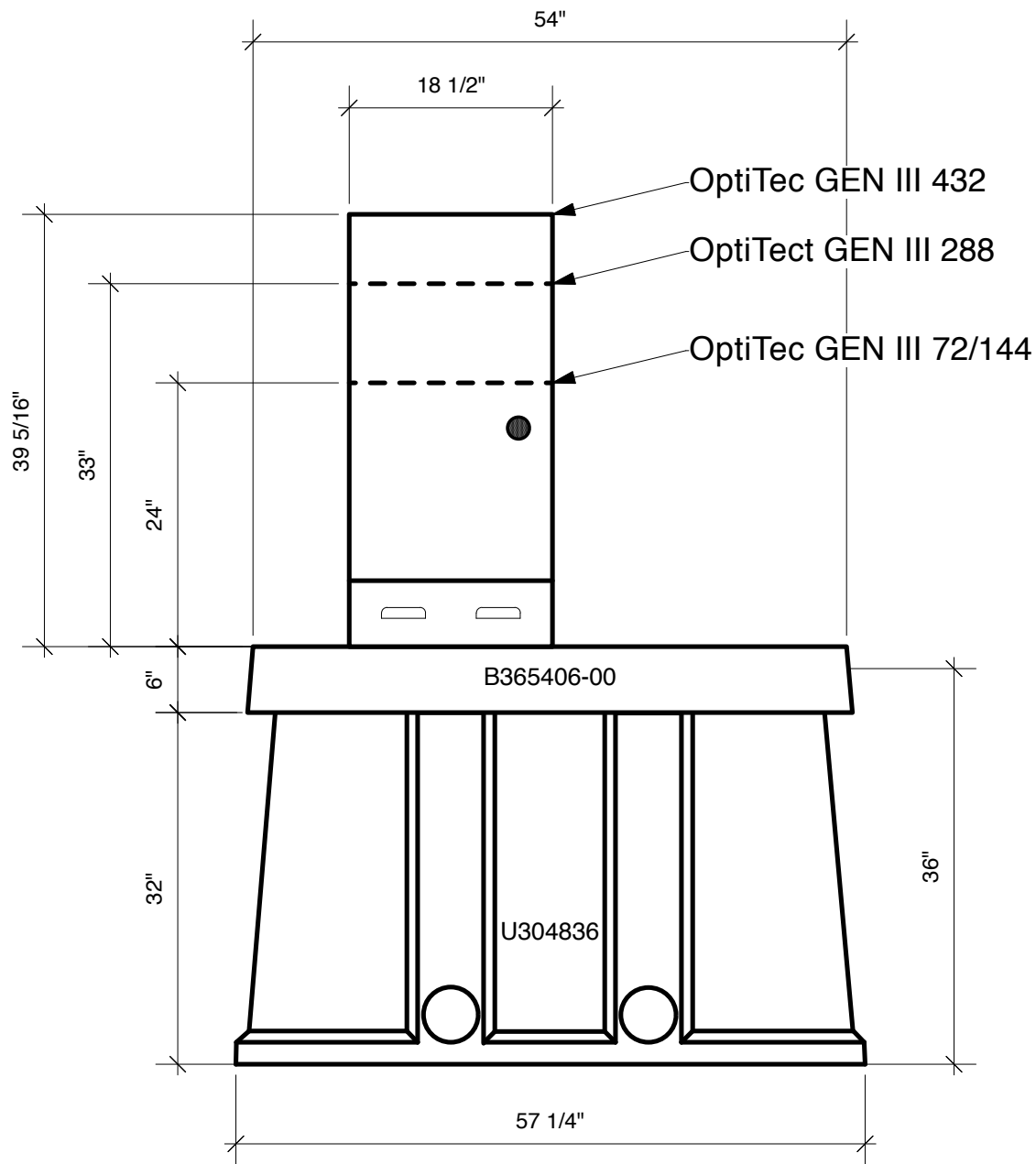
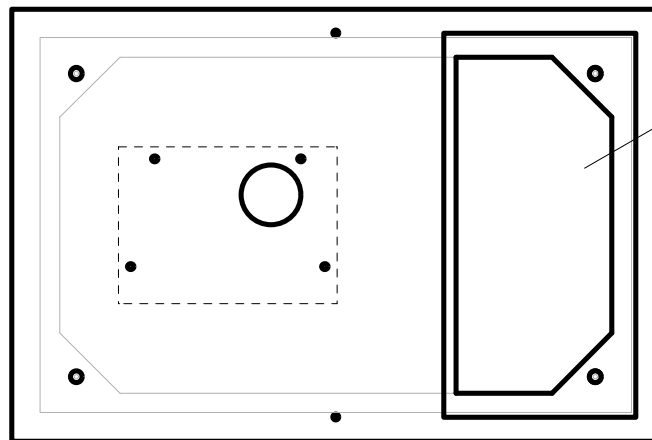


Drawing	U.01.C.E.1.102.A	MFG	Corning	<b><i>Tunnel Mill Polymer, Inc.</i></b>  103 Main St. Po Box 23 Alden, IA 50006 Phone: 515.859.7629 Fax: 515.859.7706 Email: Sales@tunnelmill.com Website: Tunnelmill.com
Drawn By	Marcela Hoversten	Cabinet	OptiTec Gen III	
Date	03/01/10	Foundation	B365406-00	
Checked By	Brian Day	Vault	U304836	
Date	00/00/00	Please check tunnelmill.com for the latest version of this drawing and for downloads in other drawing formats.		
Revision	A			
Revision Date	00/00/00			
Page	1 OF 8			



Drawing	MFG	<p><b><i>Tunnel Mill Polymer, Inc.</i></b></p> <p>103 Main St. Po Box 23 Alden, IA 50006 Phone: 515.859.7629 Fax: 515.859.7706 Email: Sales@tunnelmill.com Website: Tunnelmill.com</p>
U.01.C.E.1.102.A	Corning	
Drawn By	Cabinet	
Marcela Hoversten	OptiTec Gen III	
Date	Foundation	
03/01/10	B365406-00	
Checked By	Vault	
Brian Day	U304836	
Date	Please check tunnelmill.com for the latest version of this drawing and for downloads in other drawing formats.	
Revision	A	
Revision Date	00/00/00	
Page	2 OF 8	





16" x 32" HATCH

Drawing	U.01.C.E.1.102.A	MFG	Corning	<b><i>Tunnel Mill Polymer, Inc.</i></b>  103 Main St. Po Box 23 Alden, IA 50006 Phone: 515.859.7629 Fax: 515.859.7706 Email: Sales@tunnelmill.com Website: Tunnelmill.com
Drawn By	Marcela Hoversten	Cabinet	OptiTec Gen III	
Date	03/01/10	Foundation	B365406-00	
Checked By	Brian Day	Vault	U304836	
Date	00/00/00	Please check tunnelmill.com for the latest version of this drawing and for downloads in other drawing formats.		
Revision	A			
Revision Date	00/00/00			
Page	4 OF 8			