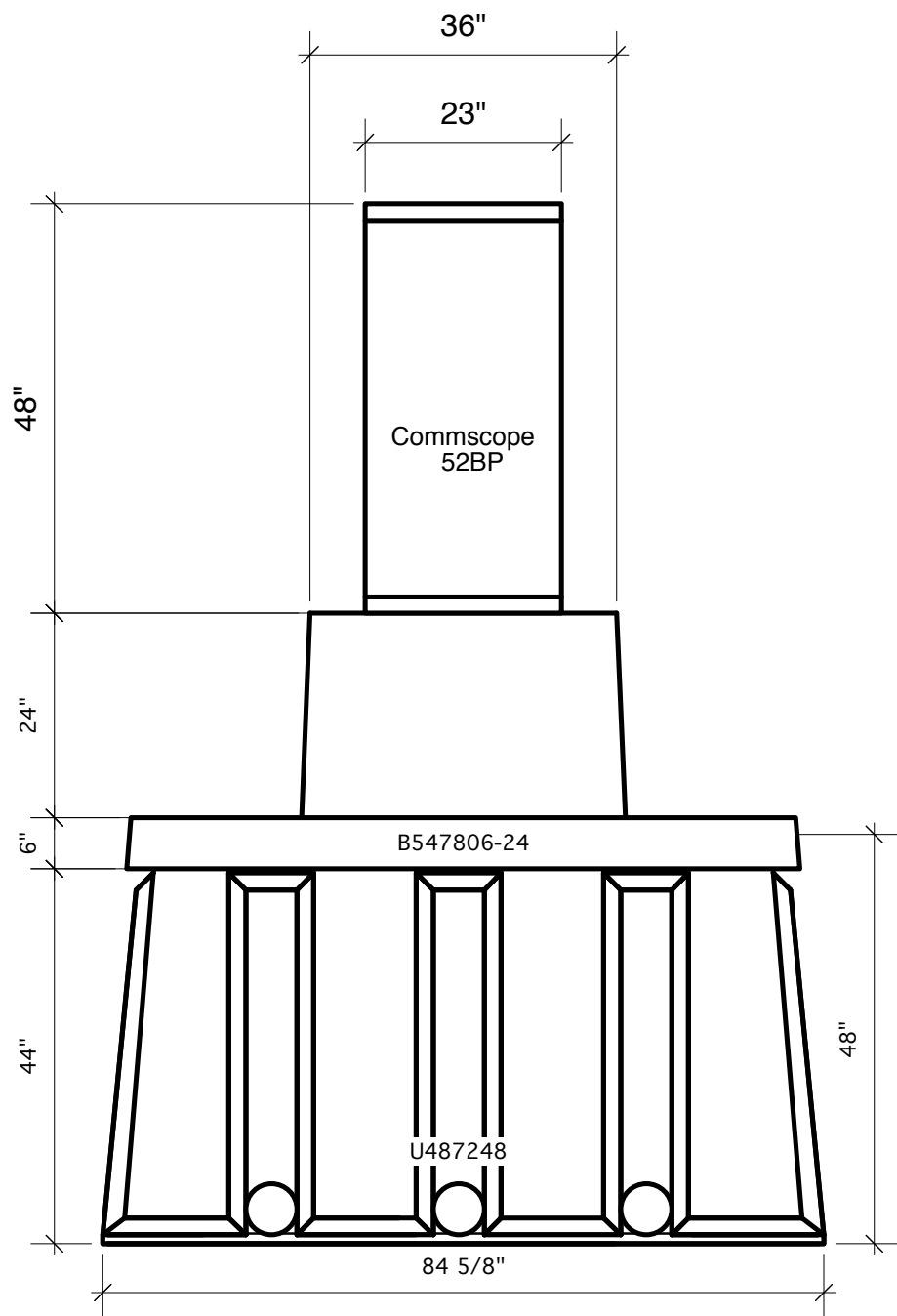


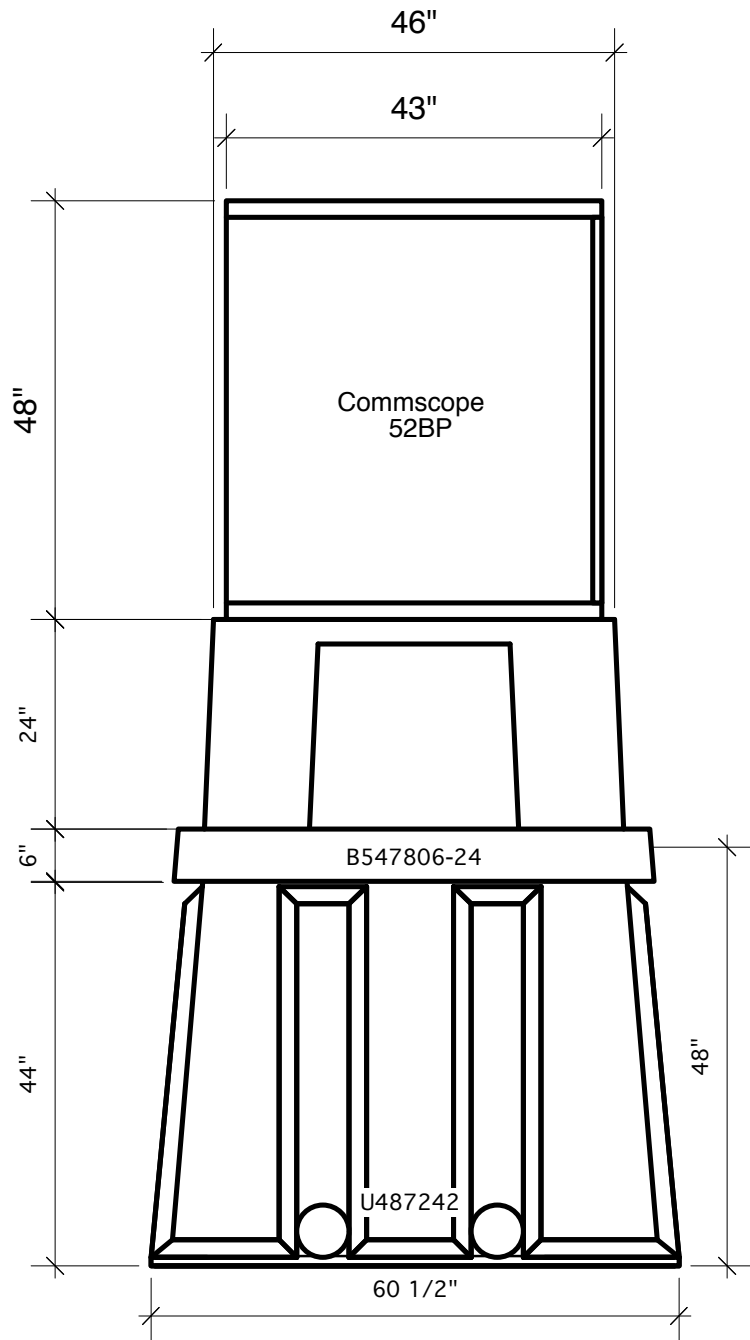
| | | | | |
|---------------|-------------------|--|------------|---|
| Drawing | G.04.N.G.2.520.A | MFG | Commscope | <i>Tunnel Mill Polymer, Inc.</i> 103 Main St. Po Box 23 Alden, IA 50006 Phone: 515.859.7629 Fax: 515.859.7706 Email: Sales@tunnelmill.com Website: Tunnelmill.com |
| Drawn By | Marcela Hoversten | Cabinet | 52BP | |
| Date | 08/05/09 | Foundation | B547806-24 | |
| Checked By | Brian Day | Vault | U487248 | |
| Date | 00/00/00 | Please check tunnelmill.com for the latest version of this drawing and for downloads in other drawing formats. | | |
| Revision | A | | | |
| Revision Date | 00/00/00 | | | |
| Page | 1 OF 8 | | | |



| | | | |
|---------------|-------------------|--|------------|
| Drawing | G.04.N.G.2.520.A | MFG | Commscope |
| Drawn By | Marcela Hoversten | Cabinet | 52BP |
| Date | 08/05/09 | Foundation | B547806-24 |
| Checked By | Brian Day | Vault | U487248 |
| Date | 00/00/00 | Please check tunnelmill.com for the latest version of this drawing and for downloads in other drawing formats. | |
| Revision | A | | |
| Revision Date | 00/00/00 | | |
| Page | 2 OF 8 | | |

***Tunnel Mill
Polymer, Inc.***

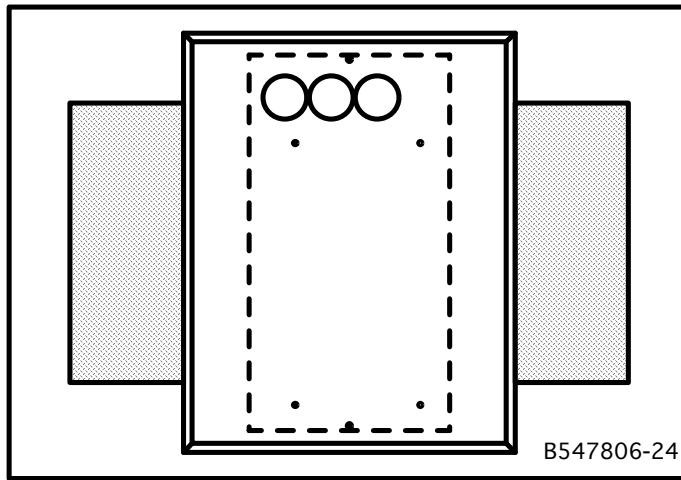
103 Main St.
Po Box 23
Alden, IA 50006
Phone: 515.859.7629
Fax: 515.859.7706
Email: Sales@tunnelmill.com
Website: Tunnelmill.com



| | | | |
|---------------|-------------------|--|------------|
| Drawing | G.04.N.G.2.520.A | MFG | Commscope |
| Drawn By | Marcela Hoversten | Cabinet | 52BP |
| Date | 08/05/09 | Foundation | B547806-24 |
| Checked By | Brian Day | Vault | U487248 |
| Date | 00/00/00 | Please check tunnelmill.com for the latest version of this drawing and for downloads in other drawing formats. | |
| Revision | A | | |
| Revision Date | 00/00/00 | | |
| Page | 3 OF 8 | | |

***Tunnel Mill
Polymer, Inc.***

103 Main St.
Po Box 23
Alden, IA 50006
Phone: 515.859.7629
Fax: 515.859.7706
Email: Sales@tunnelmill.com
Website: Tunnelmill.com



| | | | | |
|---------------|-------------------|--|------------|---|
| Drawing | G.04.N.G.2.520.A | MFG | Commscope | <i>Tunnel Mill Polymer, Inc.</i> 103 Main St. Po Box 23 Alden, IA 50006 Phone: 515.859.7629 Fax: 515.859.7706 Email: Sales@tunnelmill.com Website: Tunnelmill.com |
| Drawn By | Marcela Hoversten | Cabinet | 52BP | |
| Date | 08/05/09 | Foundation | B547806-24 | |
| Checked By | Brian Day | Vault | U487248 | |
| Date | 00/00/00 | Please check tunnelmill.com for the latest version of this drawing and for downloads in other drawing formats. | | |
| Revision | A | | | |
| Revision Date | 00/00/00 | | | |
| Page | 4 OF 8 | | | |