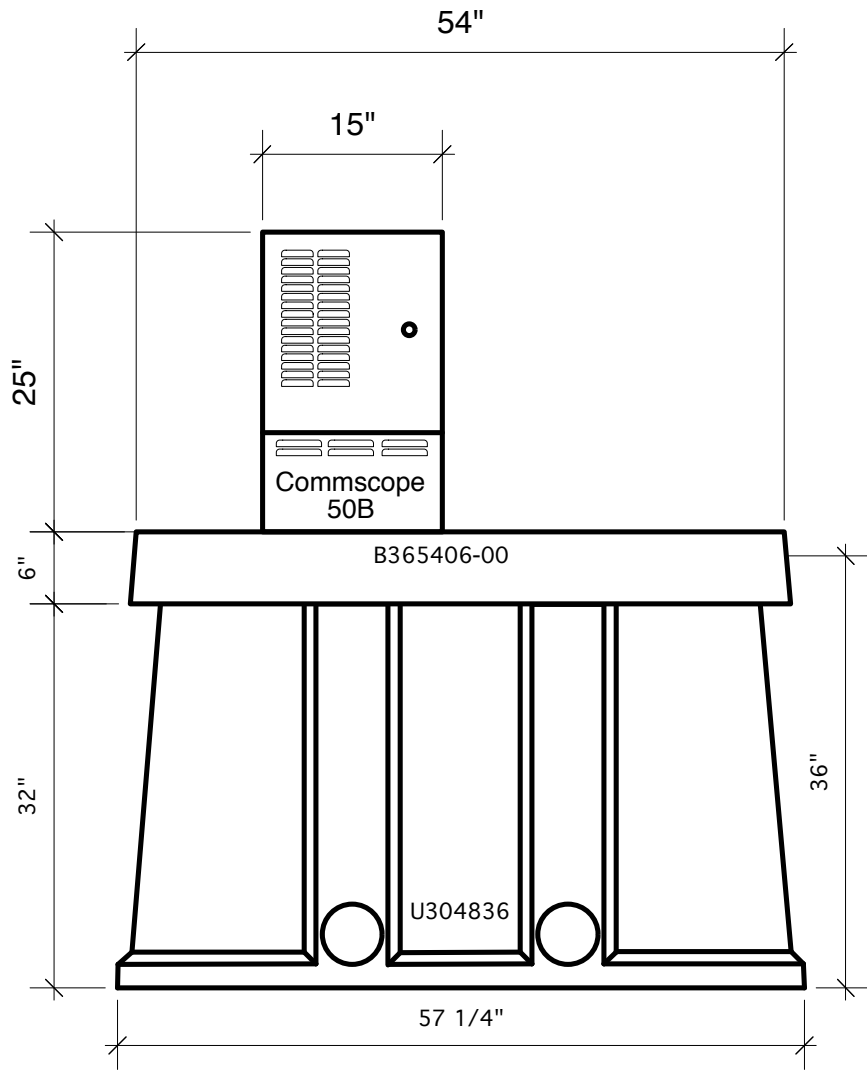


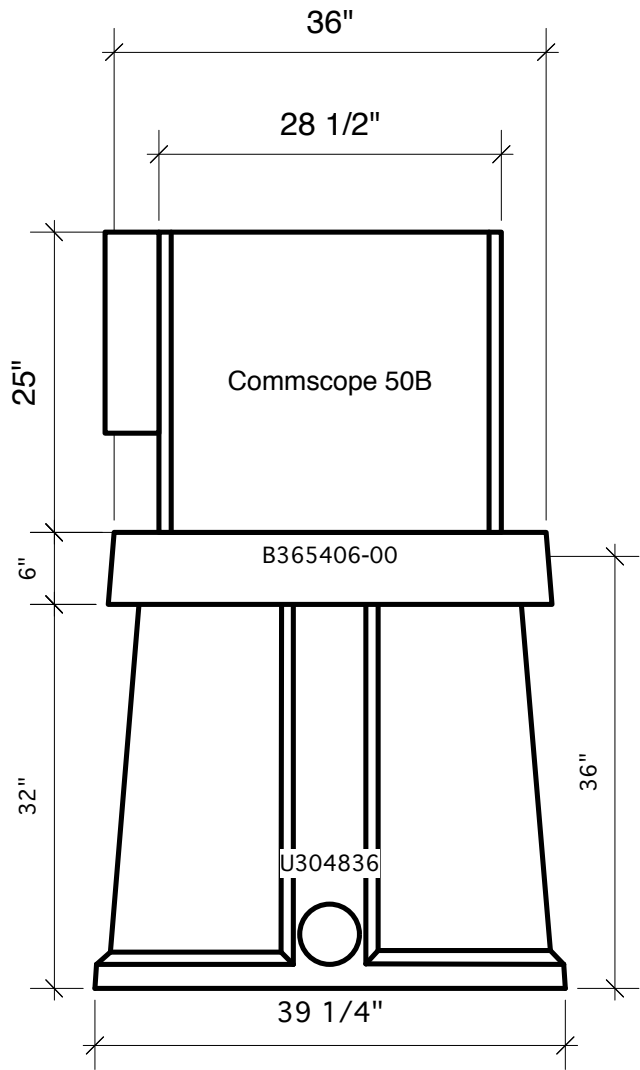
Drawing	G.02.C.E.2.508.A	MFG	Commscope	<p><i>Tunnel Mill Polymer, Inc.</i></p> <p>103 Main St. Po Box 23 Alden, IA 50006 Phone: 515.859.7629 Fax: 515.859.7706 Email: Sales@tunnelmill.com Website: Tunnelmill.com</p>
Drawn By	Marcela Hoversten	Cabinet	50B	
Date	08/17/09	Foundation	B365406-00_16	
Checked By	Brian Day	Vault	U304836	
Date	00/00/00	Please check tunnelmill.com for the latest version of this drawing and for downloads in other drawing formats.		
Revision	A			
Revision Date	00/00/00			
Page	1 OF 8			



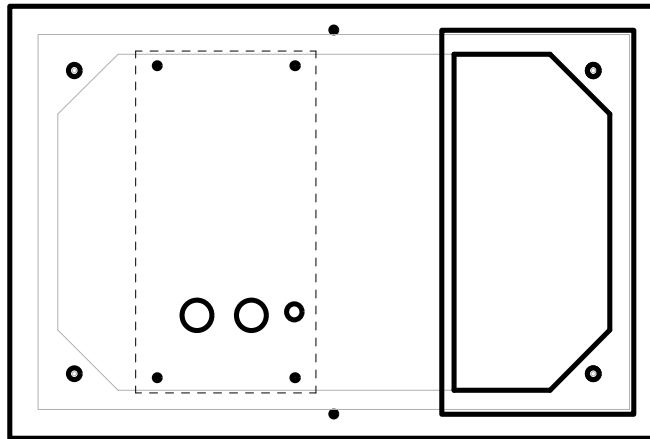
Drawing	G.02.C.E.2.508.A	MFG	Commscope
Drawn By	Marcela Hoversten	Cabinet	50B
Date	08/17/09	Foundation	B365406-00_16
Checked By	Brian Day	Vault	U304836
Date	00/00/00	Please check tunnelmill.com for the latest version of this drawing and for downloads in other drawing formats.	
Revision	A		
Revision Date	00/00/00		
Page	2 OF 8		

***Tunnel Mill
Polymer, Inc.***

103 Main St.
Po Box 23
Alden, IA 50006
Phone:
515.859.7629
Fax:
515.859.7706
Email:
Sales@tunnelmill.com
Website:
Tunnelmill.com



Drawing	G.02.C.E.2.508.A	MFG	Commscope	<i>Tunnel Mill Polymer, Inc.</i> 103 Main St. Po Box 23 Alden, IA 50006 Phone: 515.859.7629 Fax: 515.859.7706 Email: Sales@tunnelmill.com Website: Tunnelmill.com
Drawn By	Marcela Hoversten	Cabinet	50B	
Date	08/17/09	Foundation	B365406-00_16	
Checked By	Brian Day	Vault	U304836	
Date	00/00/00	Please check tunnelmill.com for the latest version of this drawing and for downloads in other drawing formats.		
Revision	A			
Revision Date	00/00/00			
Page	3 OF 8			



Drawing	G.02.C.E.2.508.A	MFG	Commscope	<p><i>Tunnel Mill Polymer, Inc.</i></p> <p>103 Main St. Po Box 23 Alden, IA 50006 Phone: 515.859.7629 Fax: 515.859.7706 Email: Sales@tunnelmill.com Website: Tunnelmill.com</p>
Drawn By	Marcela Hoversten	Cabinet	50B	
Date	08/17/09	Foundation	B365406-00_16	
Checked By	Brian Day	Vault	U304836	
Date	00/00/00	Please check tunnelmill.com for the latest version of this drawing and for downloads in other drawing formats.		
Revision	A			
Revision Date	00/00/00			
Page	4 OF 8			