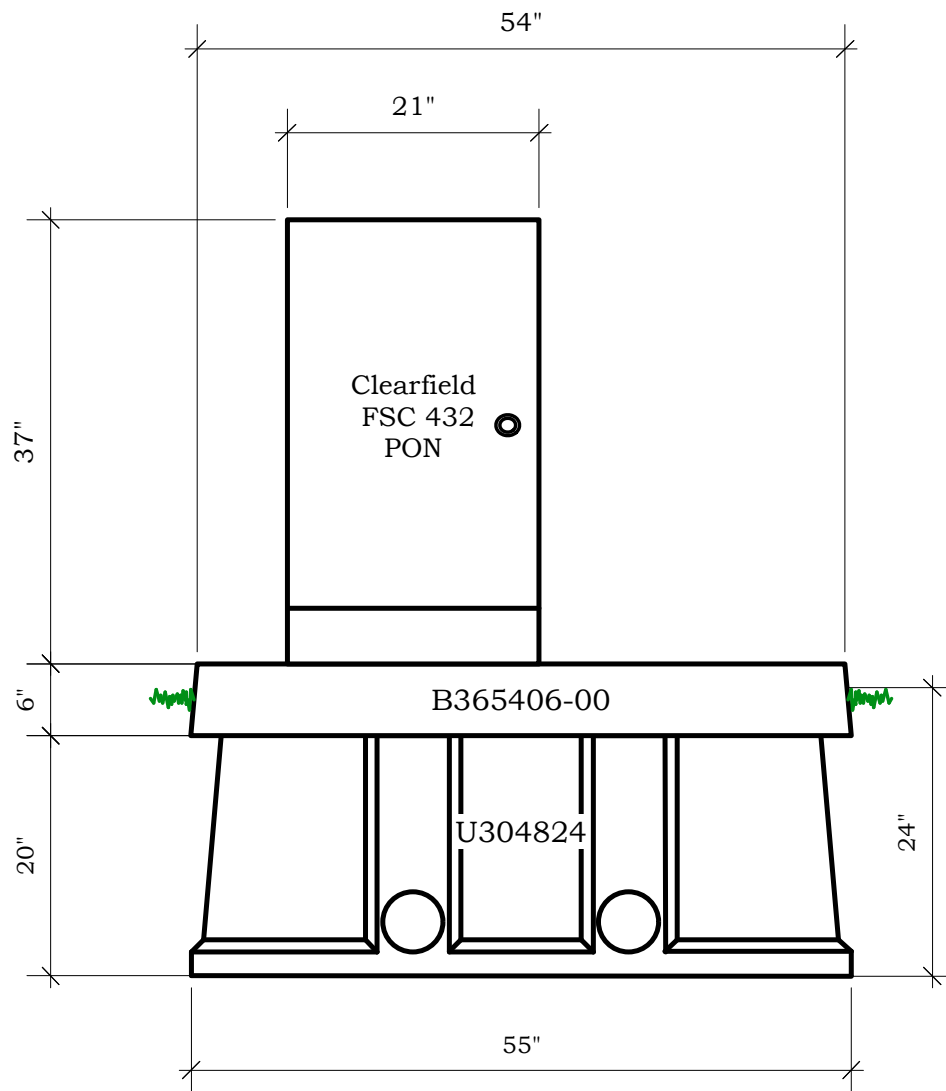
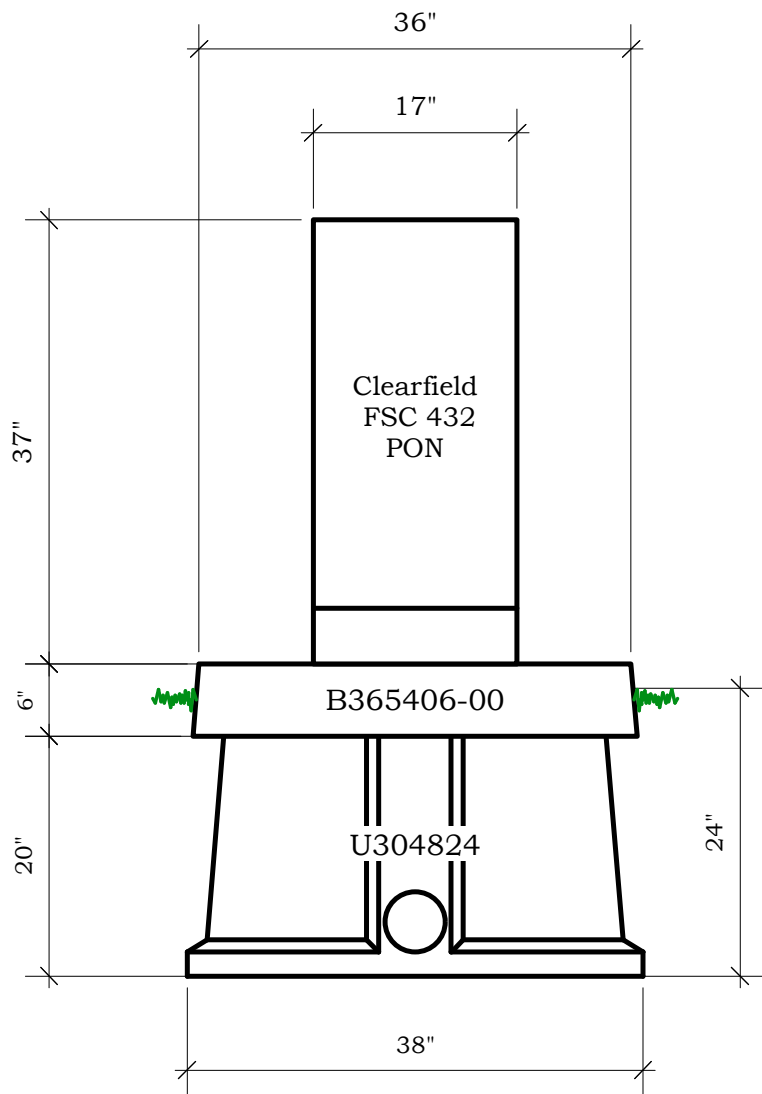


Drawing	S.11.C.D.1.137.B	MFG	Clearfield	<i>Tunnel Mill Polymer, Inc.</i> 103 Main St. Po Box 23 Alden, IA 50006 Phone: 515.859.7629 Fax: 515.859.7706 Email: Sales@tunnelmill.com Website: Tunnelmill.com
Drawn By	Marcela Hoversten	Cabinet	FSC 432 PON	
Date	07/23/14	Foundation	B365406-00	
Checked By	Brian Day	Vault	U304824	
Date	00/00/00	Please check tunnelmill.com for the latest version of this drawing and for downloads in other drawing formats.		
Revision	A			
Revision Date	00/00/00			
Page	1 OF 8			

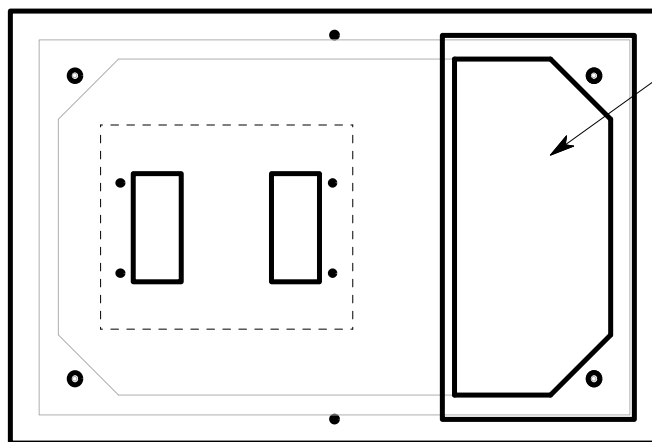


Drawing	S.11.C.D.1.137.B	MFG	Clearfield
Drawn By	Marcela Hoversten	Cabinet	FSC 432 PON
Date	07/23/14	Foundation	B365406-00
Checked By	Brian Day	Vault	U304824
Date	00/00/00	Please check tunnelmill.com for the latest version of this drawing and for downloads in other drawing formats.	
Revision	A		
Revision Date	00/00/00		
Page	2 OF 8		

***Tunnel Mill
Polymer, Inc.***
 103 Main St.
 Po Box 23
 Alden, IA 50006
 Phone:
 515.859.7629
 Fax:
 515.859.7706
 Email:
 Sales@tunnelmill.com
 Website:
 Tunnelmill.com



Drawing	S.11.C.D.1.137.B	MFG	Clearfield	<i>Tunnel Mill Polymer, Inc.</i> 103 Main St. Po Box 23 Alden, IA 50006 Phone: 515.859.7629 Fax: 515.859.7706 Email: Sales@tunnelmill.com Website: Tunnelmill.com	
Drawn By	Marcela Hoversten	Cabinet	FSC 432 PON		
Date	07/23/14	Foundation	B365406-00		
Checked By	Brian Day	Vault	U304824		
Date	00/00/00	Please check tunnelmill.com for the latest version of this drawing and for downloads in other drawing formats.			
Revision	A	Revision Date	00/00/00	Page	3 OF 8



16" x 32" hatch

Foundation will be produced with two openings allowing the cabinet to be turned 180 degrees.

Drawing	S.11.C.D.1.137.B	MFG	Clearfield	<i>Tunnel Mill Polymer, Inc.</i> 103 Main St. Po Box 23 Alden, IA 50006 Phone: 515.859.7629 Fax: 515.859.7706 Email: Sales@tunnelmill.com Website: Tunnelmill.com
Drawn By	Marcela Hoversten	Cabinet	FSC 432 PON	
Date	07/23/14	Foundation	B365406-00	
Checked By	Brian Day	Vault	U304824	
Date	00/00/00	Please check tunnelmill.com for the latest version of this drawing and for downloads in other drawing formats.		
Revision	A			
Revision Date	00/00/00			
Page	4 OF 8			