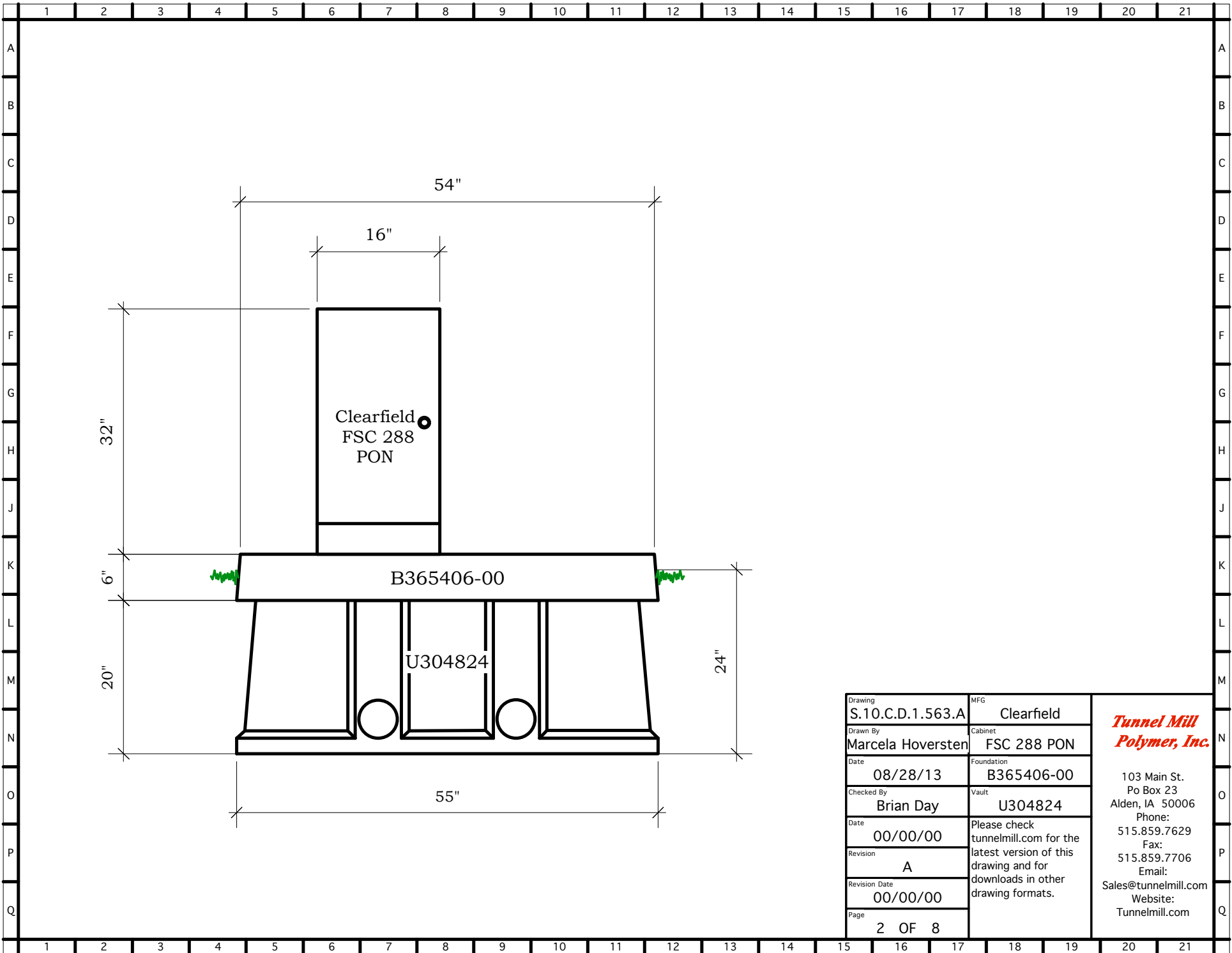


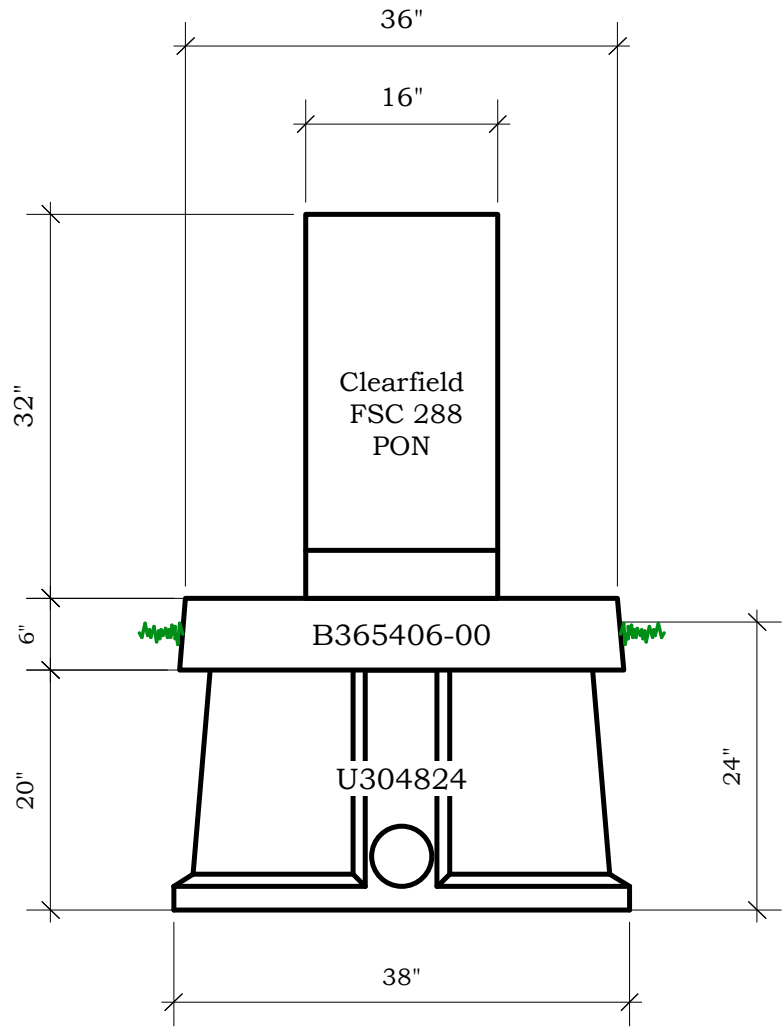
| | | | | |
|---------------|-------------------|--|-------------|---|
| Drawing | S.10.C.D.1.563.A | MFG | Clearfield | <i>Tunnel Mill Polymer, Inc.</i> 103 Main St. Po Box 23 Alden, IA 50006 Phone: 515.859.7629 Fax: 515.859.7706 Email: Sales@tunnelmill.com Website: Tunnelmill.com |
| Drawn By | Marcela Hoversten | Cabinet | FSC 288 PON | |
| Date | 08/28/13 | Foundation | B365406-00 | |
| Checked By | Brian Day | Vault | U304824 | |
| Date | 00/00/00 | Please check tunnelmill.com for the latest version of this drawing and for downloads in other drawing formats. | | |
| Revision | A | | | |
| Revision Date | 00/00/00 | | | |
| Page | 1 OF 8 | | | |
| | | | | |



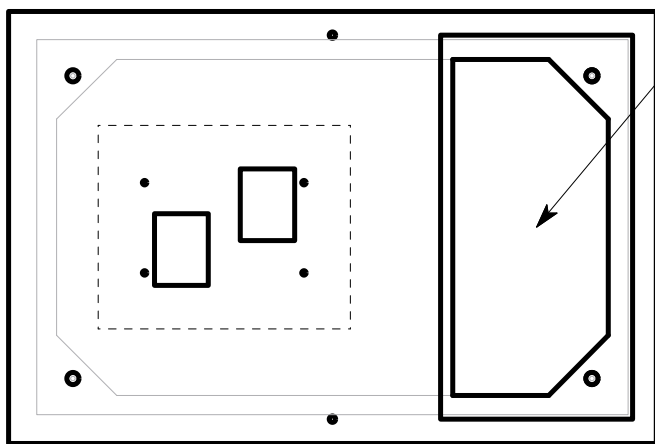
| | | | |
|---------------|-------------------|--|-------------|
| Drawing | S.10.C.D.1.563.A | MFG | Clearfield |
| Drawn By | Marcela Hoversten | Cabinet | FSC 288 PON |
| Date | 08/28/13 | Foundation | B365406-00 |
| Checked By | Brian Day | Vault | U304824 |
| Date | 00/00/00 | Please check tunnelmill.com for the latest version of this drawing and for downloads in other drawing formats. | |
| Revision | A | | |
| Revision Date | 00/00/00 | | |
| Page | 2 OF 8 | | |

***Tunnel Mill
Polymer, Inc.***

103 Main St.
Po Box 23
Alden, IA 50006
Phone:
515.859.7629
Fax:
515.859.7706
Email:
Sales@tunnelmill.com
Website:
Tunnelmill.com



| | | | | |
|---------------|-------------------|--|-------------|---|
| Drawing | S.10.C.D.1.563.A | MFG | Clearfield | <i>Tunnel Mill Polymer, Inc.</i> 103 Main St. Po Box 23 Alden, IA 50006 Phone: 515.859.7629 Fax: 515.859.7706 Email: Sales@tunnelmill.com Website: Tunnelmill.com |
| Drawn By | Marcela Hoversten | Cabinet | FSC 288 PON | |
| Date | 08/28/13 | Foundation | B365406-00 | |
| Checked By | Brian Day | Vault | U304824 | |
| Date | 00/00/00 | Please check tunnelmill.com for the latest version of this drawing and for downloads in other drawing formats. | | |
| Revision | A | | | |
| Revision Date | 00/00/00 | | | |
| Page | 3 OF 8 | | | |



16" x 32" hatch

Foundation will be produced with two openings allowing the cabinet to be turned 180 degrees.

| | | | | |
|---------------|-------------------|--|-------------|--|
| Drawing | S.10.C.D.1.563.A | MFG | Clearfield | <p><i>Tunnel Mill Polymer, Inc.</i></p> <p>103 Main St. Po Box 23 Alden, IA 50006 Phone: 515.859.7629 Fax: 515.859.7706 Email: Sales@tunnelmill.com Website: Tunnelmill.com</p> |
| Drawn By | Marcela Hoversten | Cabinet | FSC 288 PON | |
| Date | 08/28/13 | Foundation | B365406-00 | |
| Checked By | Brian Day | Vault | U304824 | |
| Date | 00/00/00 | Please check tunnelmill.com for the latest version of this drawing and for downloads in other drawing formats. | | |
| Revision | A | | | |
| Revision Date | 00/00/00 | | | |
| Page | 4 OF 8 | | | |