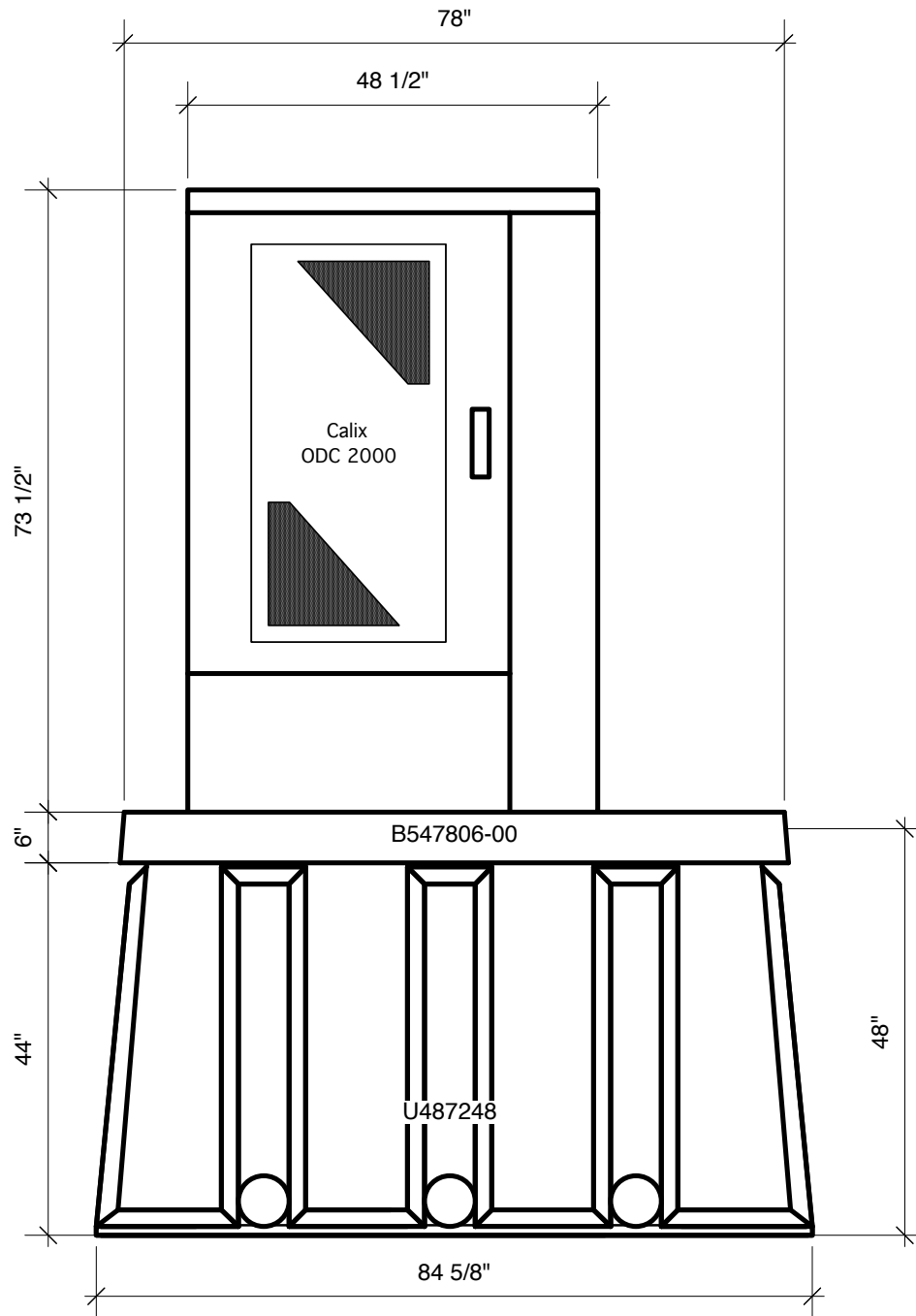
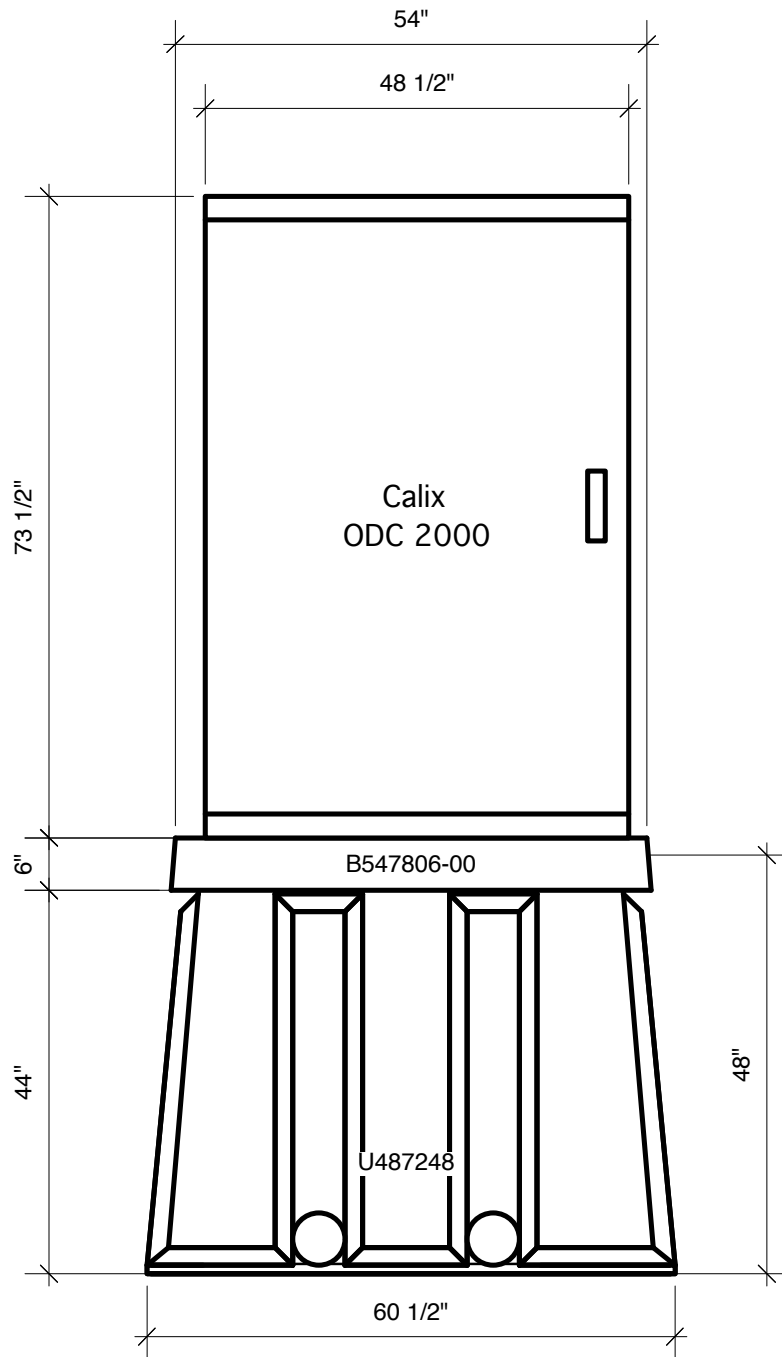


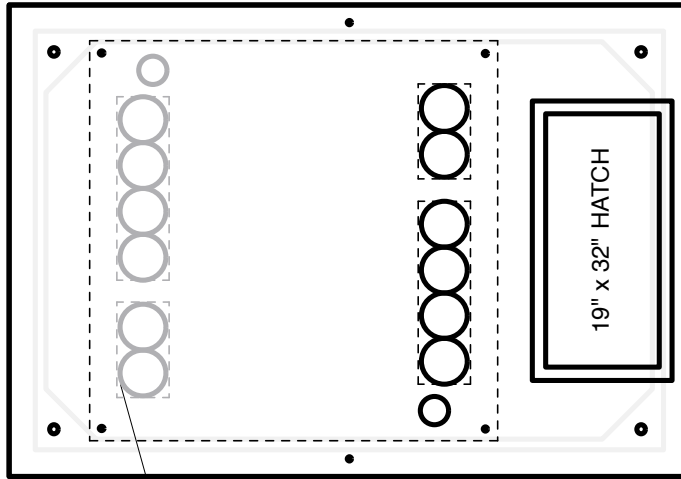
Drawing	A.04.K.G.1.060.B	MFG	Calix	<i>Tunnel Mill Polymer, Inc.</i> 103 Main St. Po Box 23 Alden, IA 50006 Phone: 515.859.7629 Fax: 515.859.7706 Email: Sales@tunnelmill.com Website: Tunnelmill.com
Drawn By	Marcela Hoversten	Cabinet	ODC 2000	
Date	12/03/10	Foundation	B547806-00	
Checked By	Brian Day	Vault	U487248	
Date	00/00/00	Please check tunnelmill.com for the latest version of this drawing and for downloads in other drawing formats.		
Revision	A			
Revision Date	00/00/00			
Page	1 OF 8			



Drawing A.04.K.G.1.060.B	MFG Calix	<i>Tunnel Mill Polymer, Inc.</i> 103 Main St. Po Box 23 Alden, IA 50006 Phone: 515.859.7629 Fax: 515.859.7706 Email: Sales@tunnelmill.com Website: Tunnelmill.com
Drawn By Marcela Hoversten	Cabinet ODC 2000	
Date 12/03/10	Foundation B547806-00	
Checked By Brian Day	Vault U487248	
Date 00/00/00	Please check tunnelmill.com for the latest version of this drawing and for downloads in other drawing formats.	
Revision A		
Revision Date 00/00/00		
Page 2 OF 8		



Drawing	MFG	<i>Tunnel Mill Polymer, Inc.</i> 103 Main St. Po Box 23 Alden, IA 50006 Phone: 515.859.7629 Fax: 515.859.7706 Email: Sales@tunnelmill.com Website: Tunnelmill.com
A.04.K.G.1.060.B	Calix	
Drawn By	Cabinet	
Marcela Hoversten	ODC 2000	
Date	Foundation	
12/03/10	B547806-00	
Checked By	Vault	
Brian Day	U487248	
Date	Please check tunnelmill.com for the latest version of this drawing and for downloads in other drawing formats.	
Revision	A	
Revision Date	00/00/00	
Page	3 OF 8	



Foundation will be produced with 2 sets of openings allowing cabinet to be turned 180 degrees.

GREY OPENINGS NOT USED IN THIS CABINET POSITION

Drawing	A.04.K.G.1.060.B	MFG	Calix	<i>Tunnel Mill Polymer, Inc.</i> 103 Main St. Po Box 23 Alden, IA 50006 Phone: 515.859.7629 Fax: 515.859.7706 Email: Sales@tunnelmill.com Website: Tunnelmill.com
Drawn By	Marcela Hoversten	Cabinet	ODC 2000	
Date	12/03/10	Foundation	B547806-00	
Checked By	Brian Day	Vault	U487248	
Date	00/00/00	Please check tunnelmill.com for the latest version of this drawing and for downloads in other drawing formats.		
Revision	A			
Revision Date	00/00/00			
Page	4 OF 8			