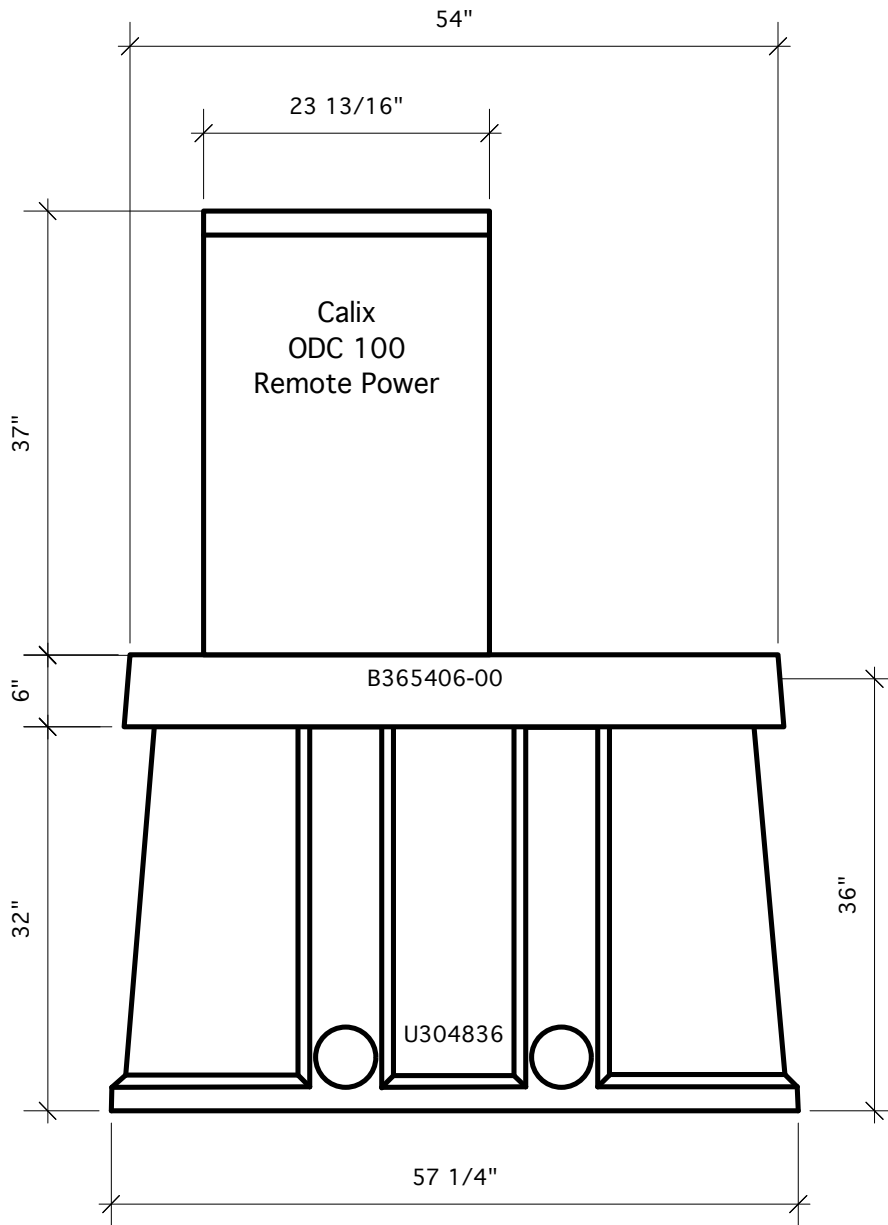
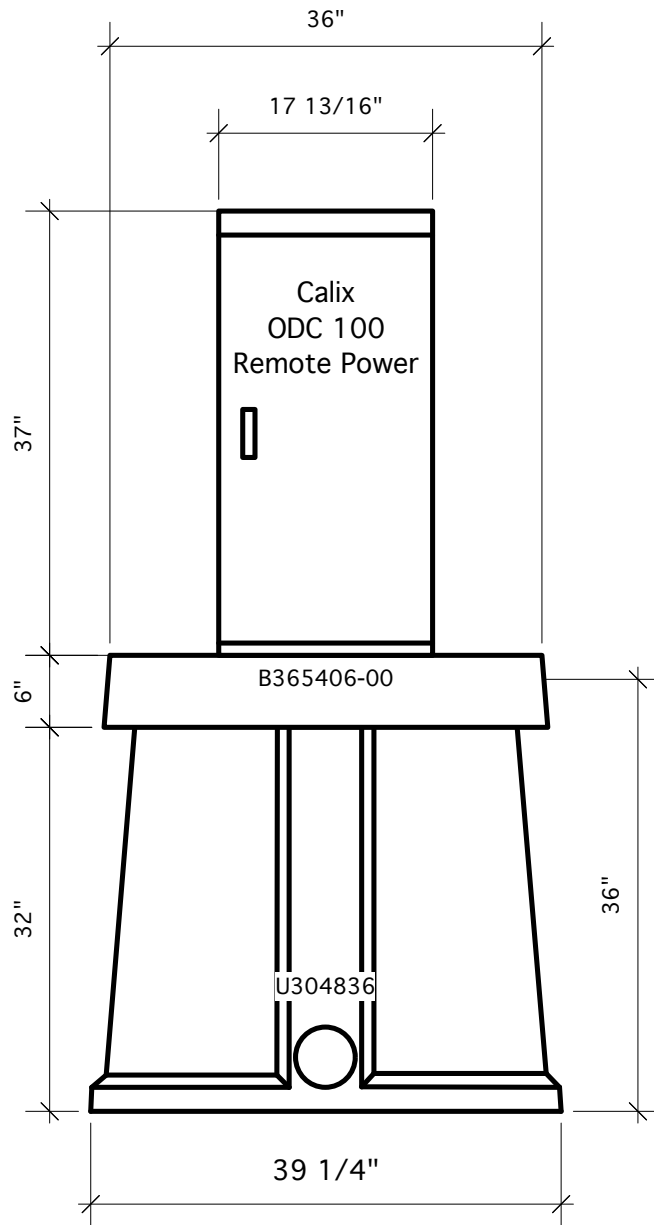


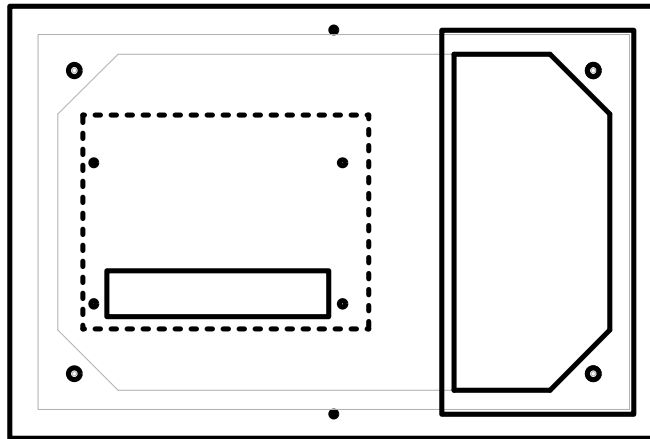
Drawing	A.02.C.E.2.004.A	MFG	Calix	<i>Tunnel Mill Polymer, Inc.</i> 103 Main St. Po Box 23 Alden, IA 50006 Phone: 515.859.7629 Fax: 515.859.7706 Email: Sales@tunnelmill.com Website: Tunnelmill.com
Drawn By	Marcela Hoversten	Cabinet	ODC 100 RP	
Date	06/13/09	Foundation	B365406-00_16	
Checked By	Brian Day	Vault	U304836	
Date	00/00/00	Please check tunnelmill.com for the latest version of this drawing and for downloads in other drawing formats.		
Revision	A			
Revision Date	00/00/00			
Page	1 OF 8			



Drawing A.02.C.E.2.004.A	MFG Calix	<i>Tunnel Mill Polymer, Inc.</i>
Drawn By Marcela Hoversten	Cabinet ODC 100 RP	
Date 06/13/09	Foundation B365406-00_16	103 Main St. Po Box 23 Alden, IA 50006
Checked By Brian Day	Vault U304836	Phone: 515.859.7629
Date 00/00/00	Please check tunnelmill.com for the latest version of this drawing and for downloads in other drawing formats.	Fax: 515.859.7706
Revision A		Email: Sales@tunnelmill.com
Revision Date 00/00/00	Website: Tunnelmill.com	
Page 2 OF 8		



Drawing	A.02.C.E.2.004.A	MFG	Calix	<i>Tunnel Mill Polymer, Inc.</i> 103 Main St. Po Box 23 Alden, IA 50006 Phone: 515.859.7629 Fax: 515.859.7706 Email: Sales@tunnelmill.com Website: Tunnelmill.com
Drawn By	Marcela Hoversten	Cabinet	ODC 100 RP	
Date	06/13/09	Foundation	B365406-00_16	
Checked By	Brian Day	Vault	U304836	
Date	00/00/00	Please check tunnelmill.com for the latest version of this drawing and for downloads in other drawing formats.		
Revision	A			
Revision Date	00/00/00			
Page	3 OF 8			



Drawing	A.02.C.E.2.004.A	MFG	Calix	<i>Tunnel Mill Polymer, Inc.</i> 103 Main St. Po Box 23 Alden, IA 50006 Phone: 515.859.7629 Fax: 515.859.7706 Email: Sales@tunnelmill.com Website: Tunnelmill.com
Drawn By	Marcela Hoversten	Cabinet	ODC 100 RP	
Date	06/13/09	Foundation	B365406-00_16	
Checked By	Brian Day	Vault	U304836	
Date	00/00/00	Please check tunnelmill.com for the latest version of this drawing and for downloads in other drawing formats.		
Revision	A			
Revision Date	00/00/00			
Page	4 OF 8			