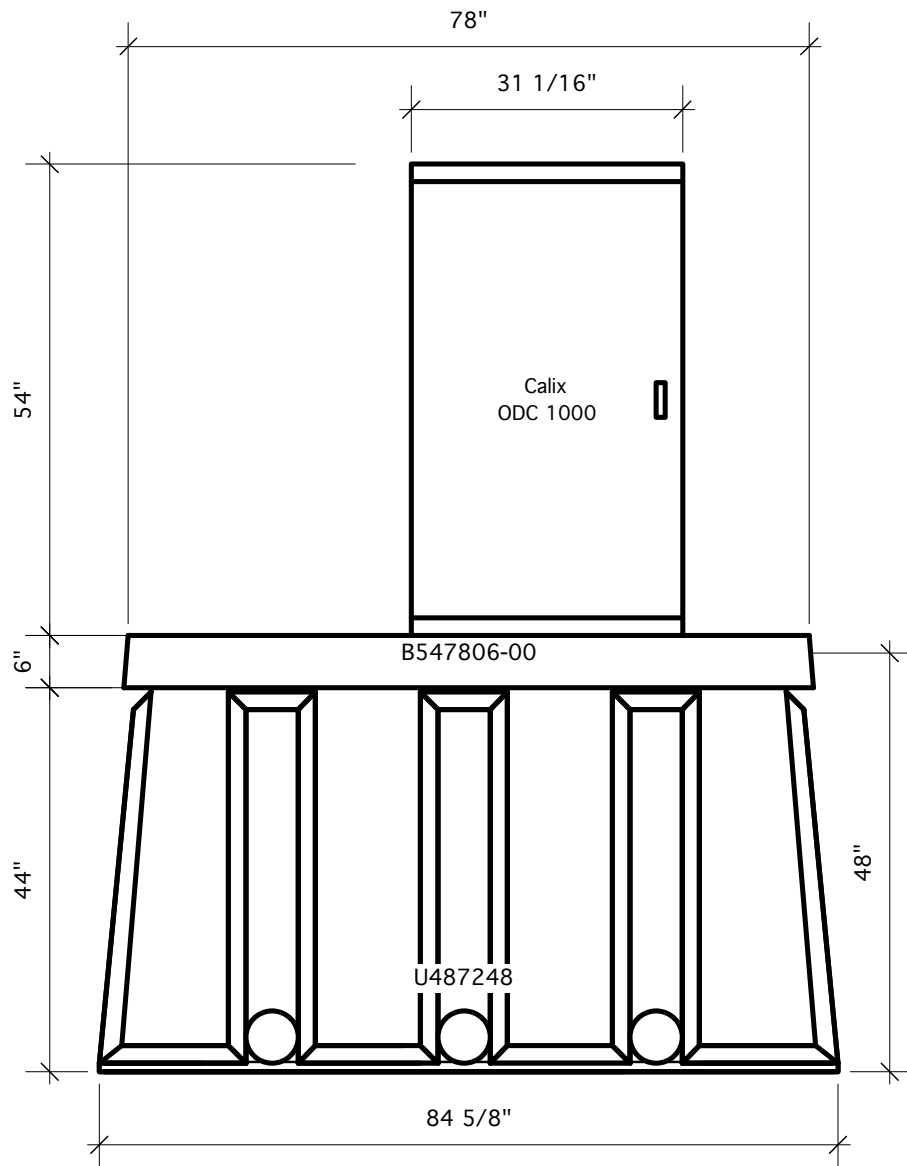
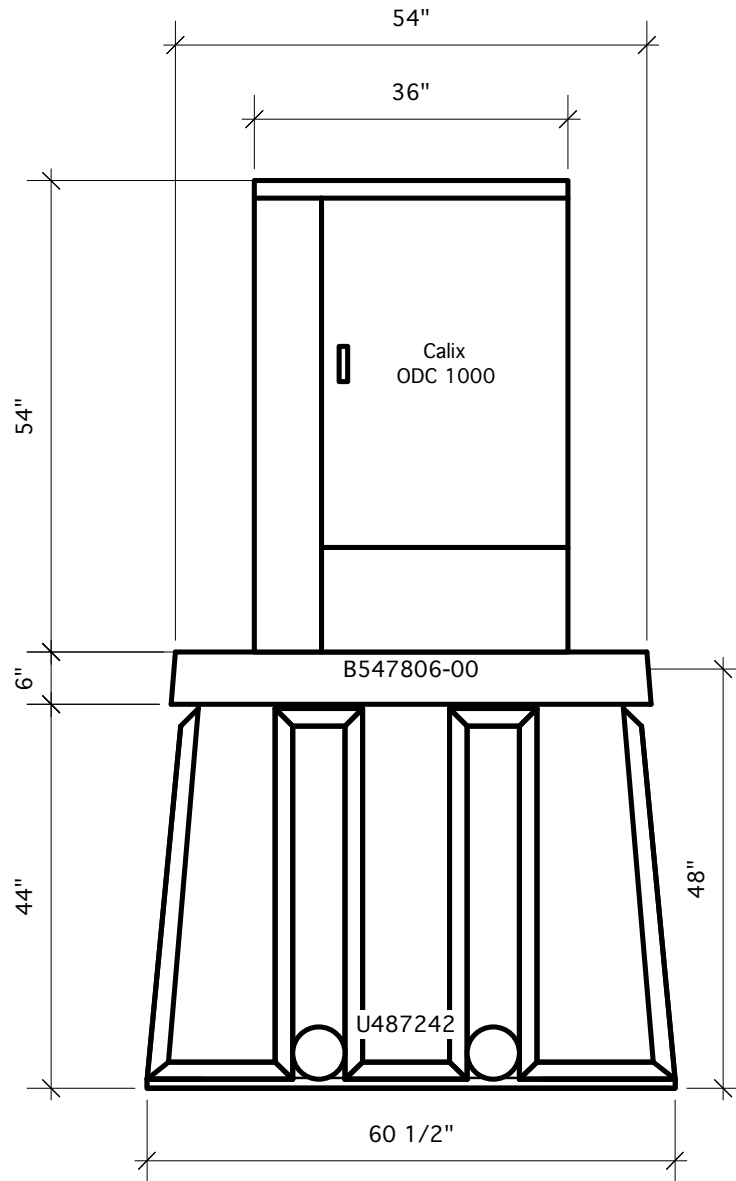


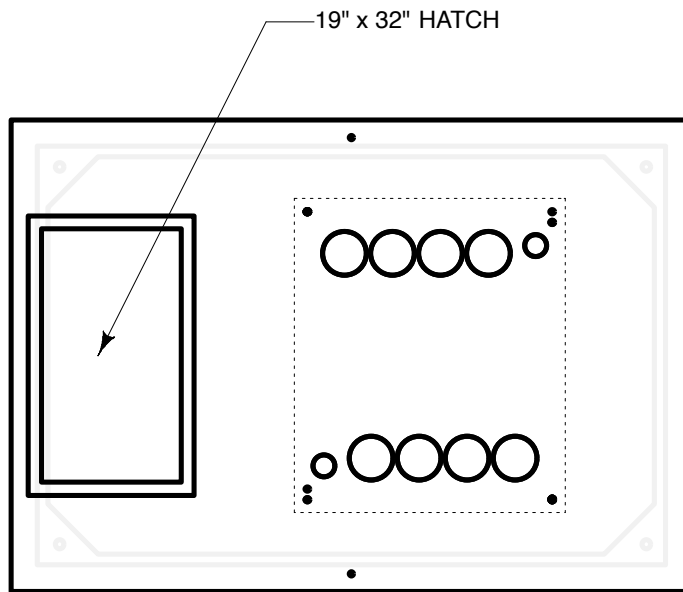
Drawing	A.03.K.G.1.012.A	MFG	Calix	<i>Tunnel Mill Polymer, Inc.</i> 103 Main St. Po Box 23 Alden, IA 50006 Phone: 515.859.7629 Fax: 515.859.7706 Email: Sales@tunnelmill.com Website: Tunnelmill.com
Drawn By	Marcela Hoversten	Cabinet	ODC 1000	
Date	06/28/09	Foundation	B547806-00	
Checked By	Brian Day	Vault	U487248	
Date	00/00/00	Please check tunnelmill.com for the latest version of this drawing and for downloads in other drawing formats.		
Revision	A			
Revision Date	00/00/00			
Page	1 OF 8			



Drawing A.03.K.G.1.012.A	MFG Calix	<i>Tunnel Mill Polymer, Inc.</i> 103 Main St. Po Box 23 Alden, IA 50006 Phone: 515.859.7629 Fax: 515.859.7706 Email: Sales@tunnelmill.com Website: Tunnelmill.com
Drawn By Marcela Hoversten	Cabinet ODC 1000	
Date 06/28/09	Foundation B547806-00	
Checked By Brian Day	Vault U487248	
Date 00/00/00	Please check tunnelmill.com for the latest version of this drawing and for downloads in other drawing formats.	
Revision A		
Revision Date 00/00/00		
Page 2 OF 8		



Drawing	A.03.K.G.1.012.A	MFG	Calix	<i>Tunnel Mill Polymer, Inc.</i> 103 Main St. Po Box 23 Alden, IA 50006 Phone: 515.859.7629 Fax: 515.859.7706 Email: Sales@tunnelmill.com Website: Tunnelmill.com
Drawn By	Marcela Hoversten	Cabinet	ODC 1000	
Date	06/28/09	Foundation	B547806-00	
Checked By	Brian Day	Vault	U487248	
Date	00/00/00	Please check tunnelmill.com for the latest version of this drawing and for downloads in other drawing formats.		
Revision	A			
Revision Date	00/00/00			
Page	3 OF 8			



Foundation will be produced with 2 sets of openings allowing cabinet to be turned 180 degrees.

Drawing	A.03.K.G.1.012.A	MFG	Calix	<p><i>Tunnel Mill Polymer, Inc.</i></p> <p>103 Main St. Po Box 23 Alden, IA 50006 Phone: 515.859.7629 Fax: 515.859.7706 Email: Sales@tunnelmill.com Website: Tunnelmill.com</p>
Drawn By	Marcela Hoversten	Cabinet	ODC 1000	
Date	06/28/09	Foundation	B547806-00	
Checked By	Brian Day	Vault	U487248	
Date	00/00/00	Please check tunnelmill.com for the latest version of this drawing and for downloads in other drawing formats.		
Revision	A			
Revision Date	00/00/00			
Page	4 OF 8			