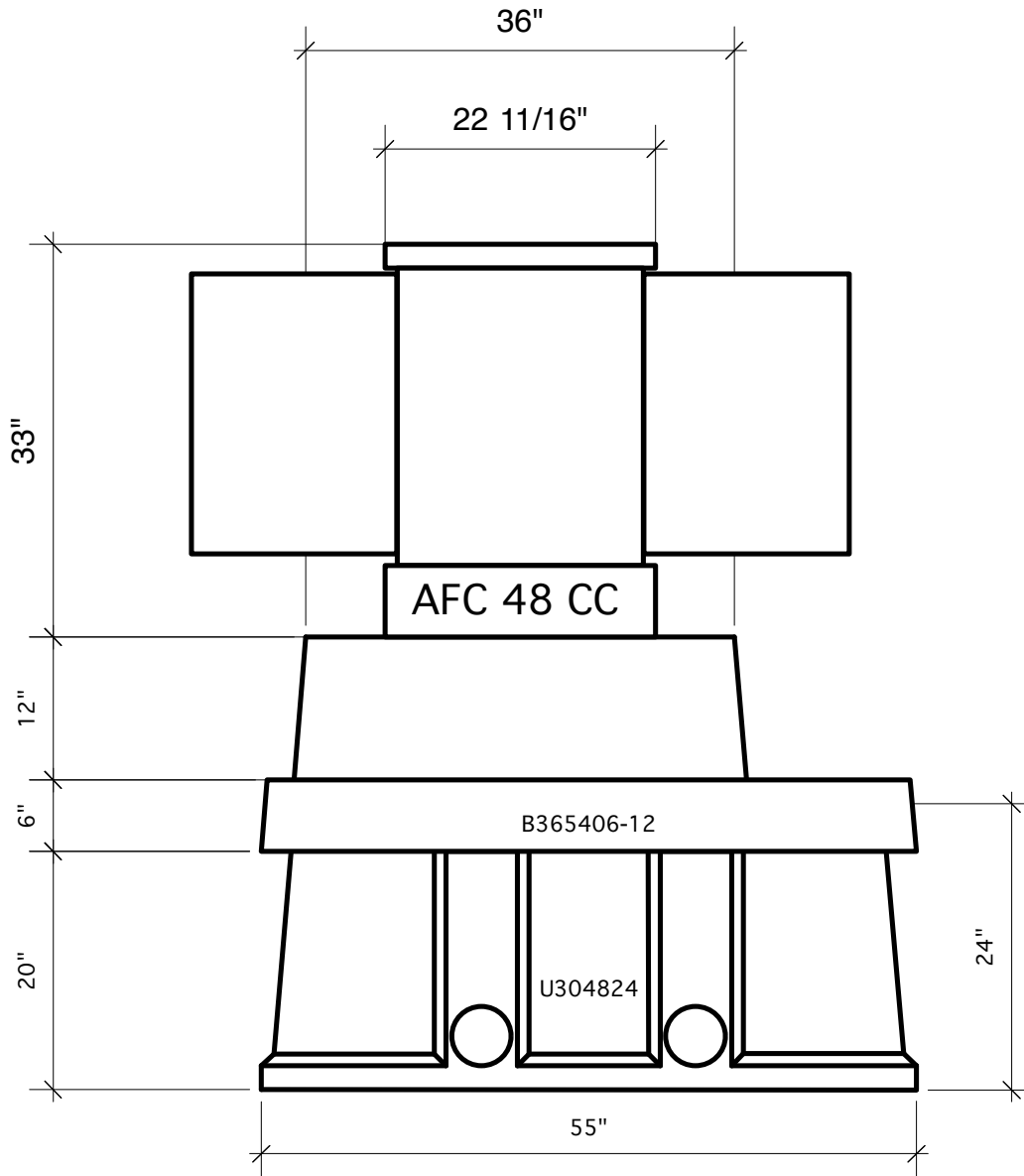


EQUIPMENT SIDE

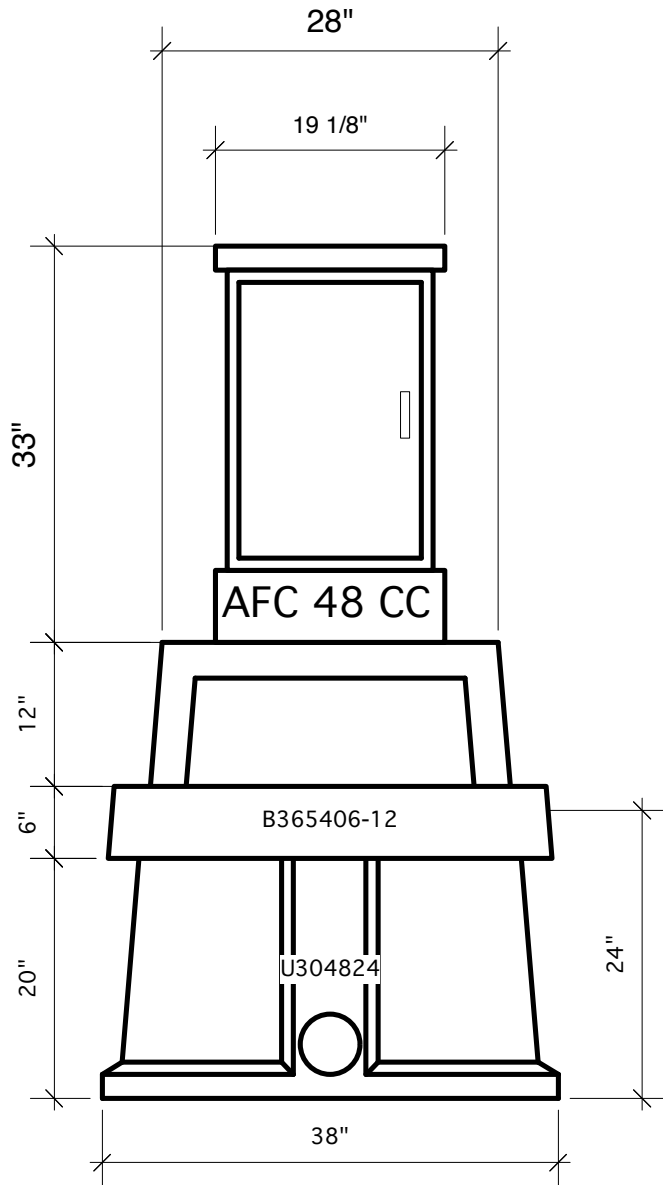
CROSS CONNECT SIDE

Drawing	M.02.D.D.1.527.A	MFG	AFC	<p><b><i>Tunnel Mill Polymer, Inc.</i></b></p> <p>103 Main St. Po Box 23 Alden, IA 50006 Phone: 515.859.7629 Fax: 515.859.7706 Email: Sales@tunnelmill.com Website: Tunnelmill.com</p>
Drawn By	Marcela Hoversten	Cabinet	48CC	
Date	09/11/09	Foundation	B365406-12_AP	
Checked By	Brian Day	Vault	U304824	
Date	00/00/00	Please check tunnelmill.com for the latest version of this drawing and for downloads in other drawing formats.		
Revision	A			
Revision Date	00/00/00			
Page	1 OF 8			

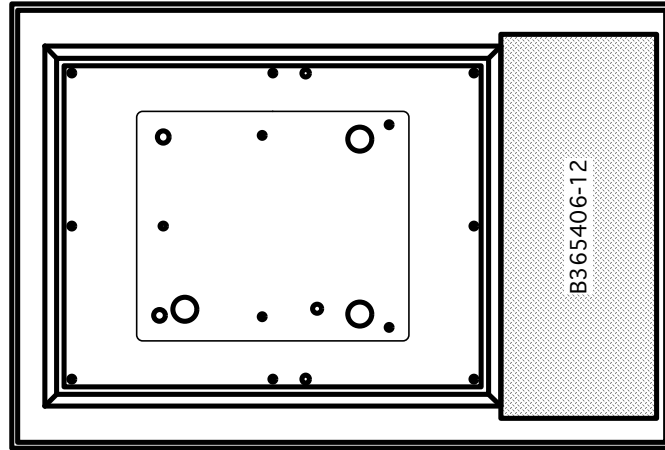


Drawing M.02.D.D.1.527.A	MFG AFC
Drawn By Marcela Hoversten	Cabinet 48CC
Date 09/11/09	Foundation B365406-12_AP
Checked By Brian Day	Vault U304824
Date 00/00/00	Please check tunnelmill.com for the latest version of this drawing and for downloads in other drawing formats.
Revision A	
Revision Date 00/00/00	
Page 2 OF 8	

***Tunnel Mill  
Polymer, Inc.***  
 103 Main St.  
 Po Box 23  
 Alden, IA 50006  
 Phone:  
 515.859.7629  
 Fax:  
 515.859.7706  
 Email:  
 Sales@tunnelmill.com  
 Website:  
 Tunnelmill.com



Drawing	M.02.D.D.1.527.A	MFG	AFC	<b><i>Tunnel Mill Polymer, Inc.</i></b>  103 Main St. Po Box 23 Alden, IA 50006 Phone: 515.859.7629 Fax: 515.859.7706 Email: Sales@tunnelmill.com Website: Tunnelmill.com
Drawn By	Marcela Hoversten	Cabinet	48CC	
Date	09/11/09	Foundation	B365406-12_AP	
Checked By	Brian Day	Vault	U304824	
Date	00/00/00	Please check tunnelmill.com for the latest version of this drawing and for downloads in other drawing formats.		
Revision	A			
Revision Date	00/00/00			
Page	3 OF 8			



Drawing	M.02.D.D.1.527.A	MFG	AFC	<p><b><i>Tunnel Mill Polymer, Inc.</i></b></p> <p>103 Main St. Po Box 23 Alden, IA 50006 Phone: 515.859.7629 Fax: 515.859.7706 Email: Sales@tunnelmill.com Website: Tunnelmill.com</p>
Drawn By	Marcela Hoversten	Cabinet	48CC	
Date	09/11/09	Foundation	B365406-12_AP	
Checked By	Brian Day	Vault	U304824	
Date	00/00/00	Please check tunnelmill.com for the latest version of this drawing and for downloads in other drawing formats.		
Revision	A			
Revision Date	00/00/00			
Page	4 OF 8			