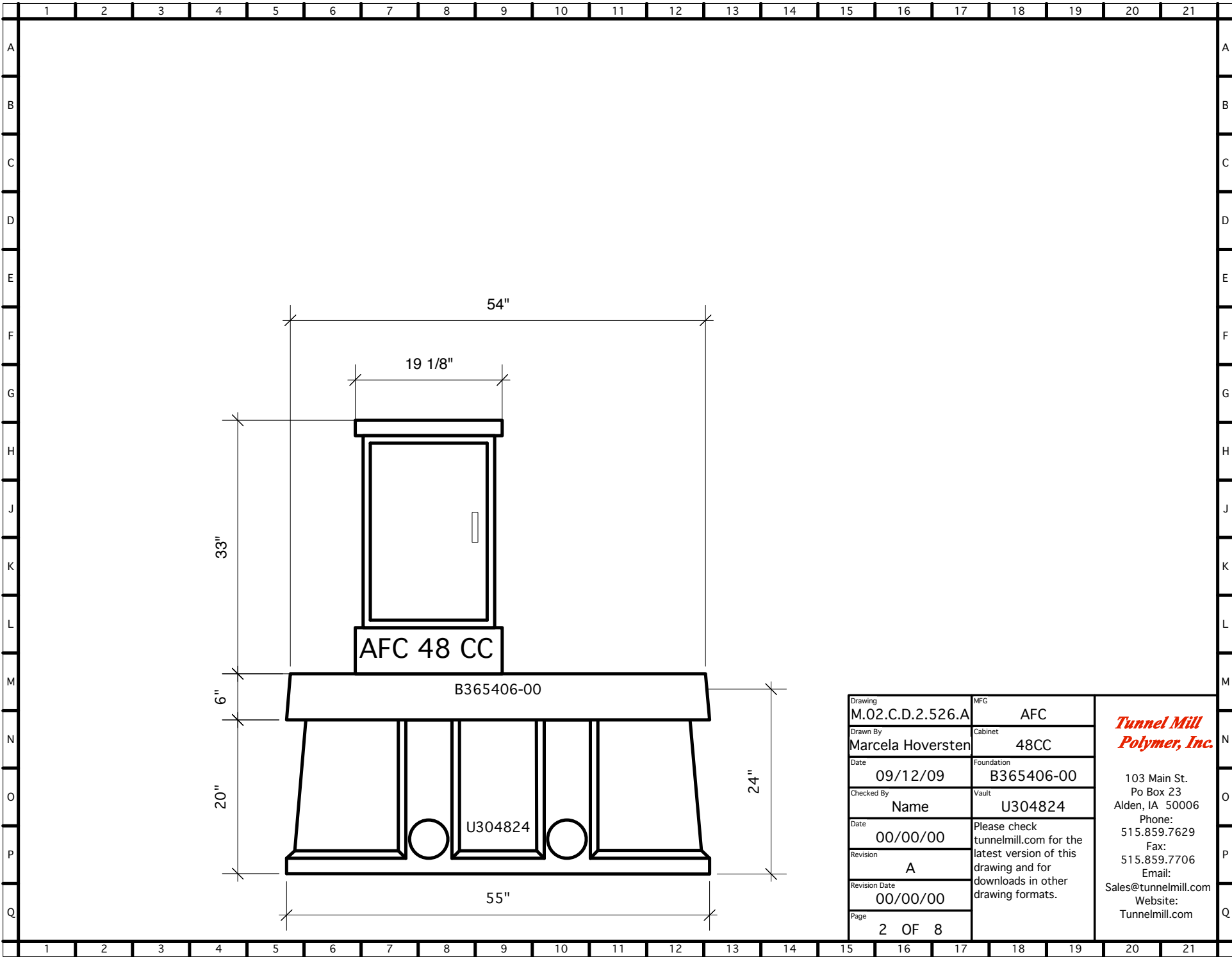


| | | | | |
|---------------|-------------------|--|------------|---|
| Drawing | M.02.C.D.2.526.A | MFG | AFC | <i>Tunnel Mill Polymer, Inc.</i> 103 Main St. Po Box 23 Alden, IA 50006 Phone: 515.859.7629 Fax: 515.859.7706 Email: Sales@tunnelmill.com Website: Tunnelmill.com |
| Drawn By | Marcela Hoversten | Cabinet | 48CC | |
| Date | 09/12/09 | Foundation | B365406-00 | |
| Checked By | Brian Day | Vault | U304824 | |
| Date | 00/00/00 | Please check tunnelmill.com for the latest version of this drawing and for downloads in other drawing formats. | | |
| Revision | A | | | |
| Revision Date | 00/00/00 | | | |
| Page | 1 OF 8 | | | |

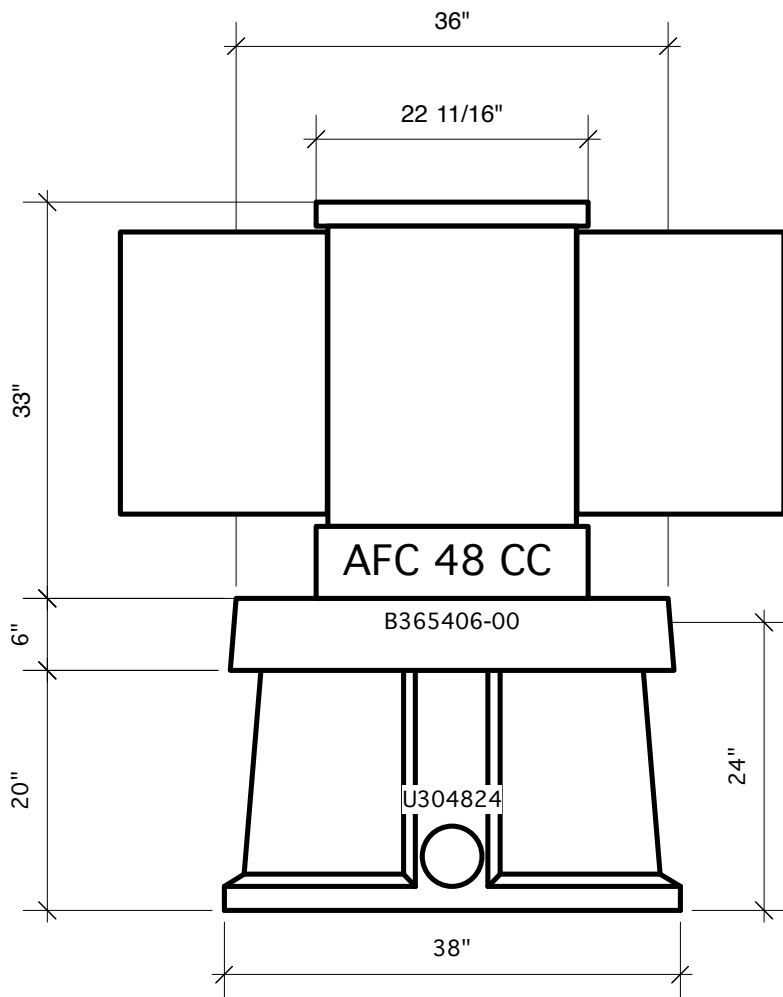


AFC 48 CC

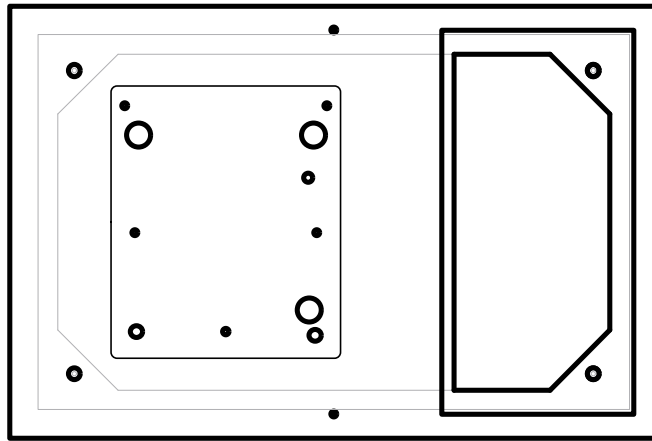
B365406-00

U304824

| | | |
|-------------------|--|--|
| Drawing | MFG | <p><i>Tunnel Mill Polymer, Inc.</i></p> <p>103 Main St. Po Box 23 Alden, IA 50006 Phone: 515.859.7629 Fax: 515.859.7706 Email: Sales@tunnelmill.com Website: Tunnelmill.com</p> |
| M.02.C.D.2.526.A | AFC | |
| Drawn By | Cabinet | |
| Marcela Hoversten | 48CC | |
| Date | Foundation | |
| 09/12/09 | B365406-00 | |
| Checked By | Vault | |
| Name | U304824 | |
| Date | Please check tunnelmill.com for the latest version of this drawing and for downloads in other drawing formats. | |
| 00/00/00 | | |
| Revision | | |
| A | | |
| Revision Date | | |
| 00/00/00 | | |
| Page | | |
| 2 OF 8 | | |



| | | | | |
|---------------|-------------------|--|------------|---|
| Drawing | M.02.C.D.2.526.A | MFG | AFC | <i>Tunnel Mill Polymer, Inc.</i> 103 Main St. Po Box 23 Alden, IA 50006 Phone: 515.859.7629 Fax: 515.859.7706 Email: Sales@tunnelmill.com Website: Tunnelmill.com |
| Drawn By | Marcela Hoversten | Cabinet | 48CC | |
| Date | 09/12/09 | Foundation | B365406-00 | |
| Checked By | Brian Day | Vault | U304824 | |
| Date | 00/00/00 | Please check tunnelmill.com for the latest version of this drawing and for downloads in other drawing formats. | | |
| Revision | A | | | |
| Revision Date | 00/00/00 | | | |
| Page | 3 OF 8 | | | |



| | | | | |
|---------------|-------------------|--|------------|--|
| Drawing | M.02.C.D.2.526.A | MFG | AFC | <p><i>Tunnel Mill Polymer, Inc.</i></p> <p>103 Main St. Po Box 23 Alden, IA 50006 Phone: 515.859.7629 Fax: 515.859.7706 Email: Sales@tunnelmill.com Website: Tunnelmill.com</p> |
| Drawn By | Marcela Hoversten | Cabinet | 48CC | |
| Date | 09/12/09 | Foundation | B365406-00 | |
| Checked By | Brian Day | Vault | U304824 | |
| Date | 00/00/00 | Please check tunnelmill.com for the latest version of this drawing and for downloads in other drawing formats. | | |
| Revision | A | | | |
| Revision Date | 00/00/00 | | | |
| Page | 4 OF 8 | | | |
| | | | | |