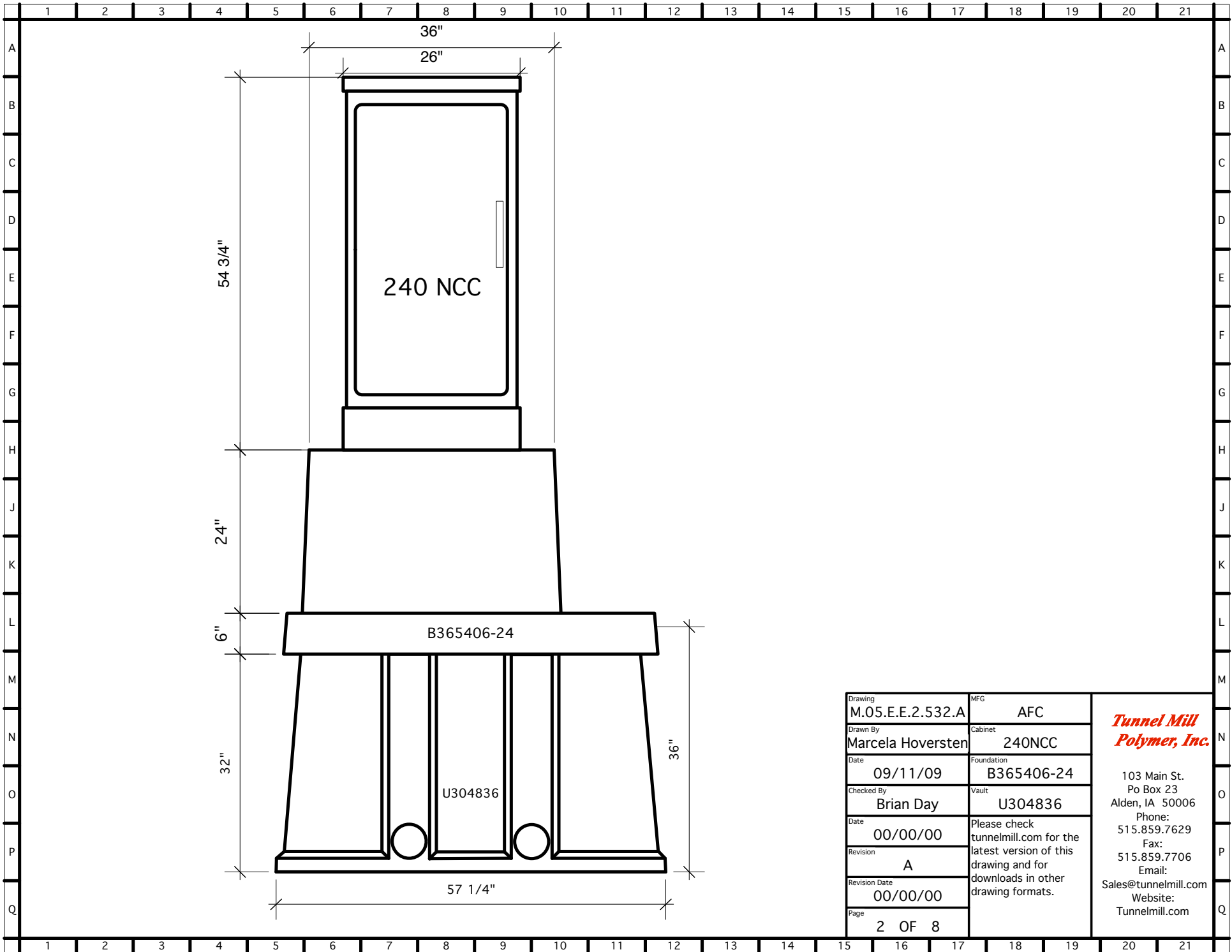
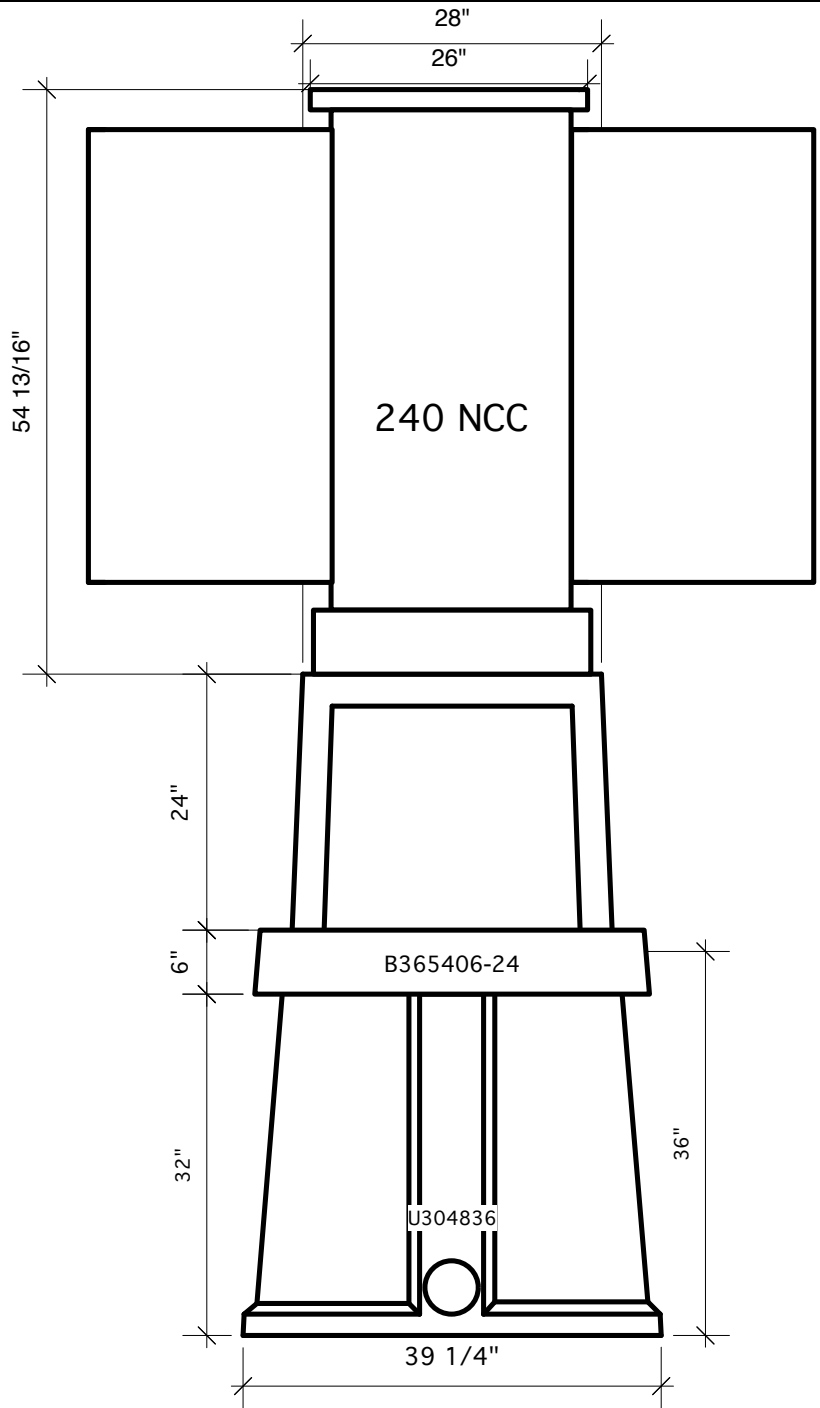


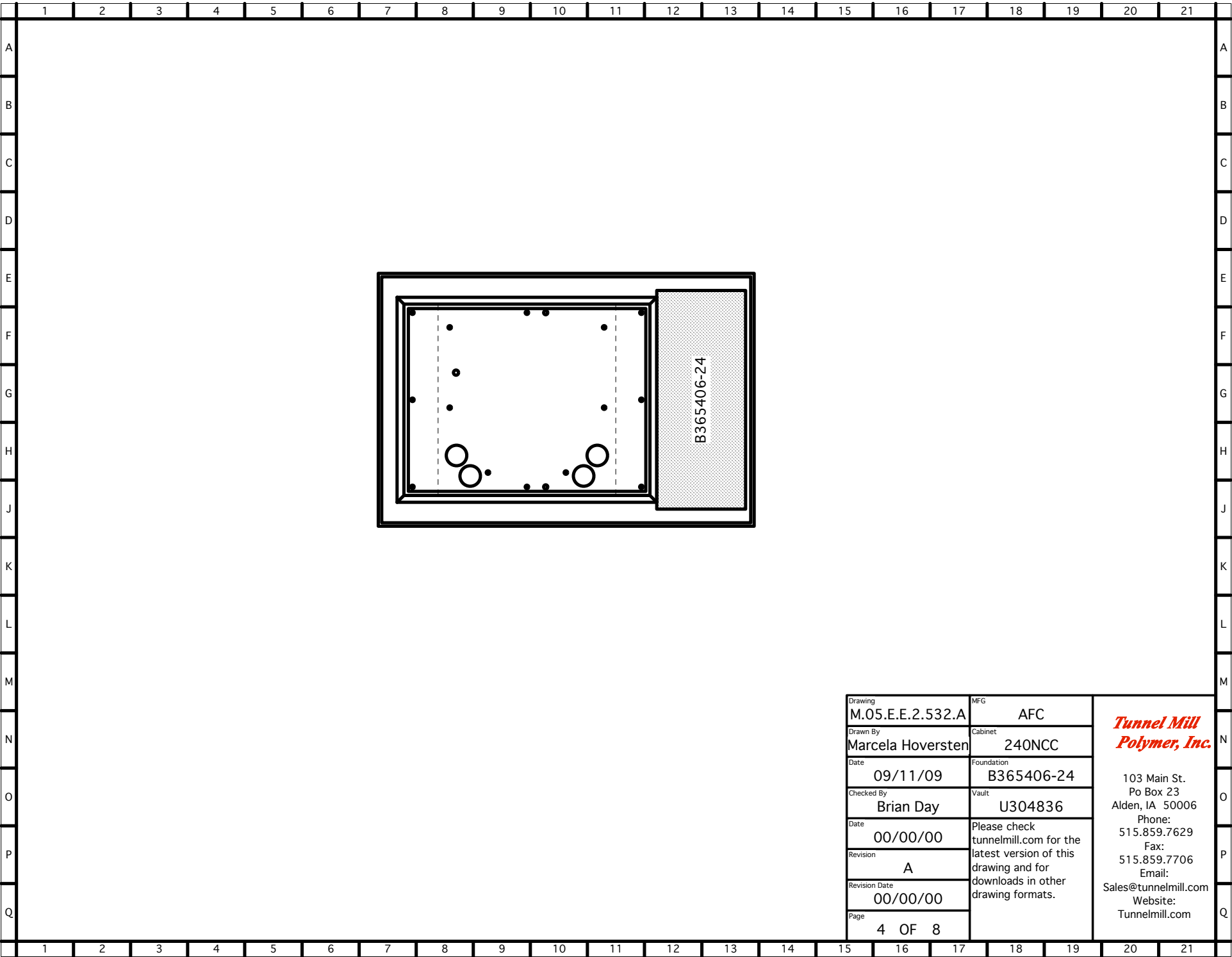
Drawing	M.05.E.E.2.532.A	MFG	AFC	<i>Tunnel Mill Polymer, Inc.</i> 103 Main St. Po Box 23 Alden, IA 50006 Phone: 515.859.7629 Fax: 515.859.7706 Email: Sales@tunnelmill.com Website: Tunnelmill.com
Drawn By	Marcela Hoversten	Cabinet	240NCC	
Date	09/11/09	Foundation	B365406-24	
Checked By	Brian Day	Vault	U304836	
Date	00/00/00	Please check tunnelmill.com for the latest version of this drawing and for downloads in other drawing formats.		
Revision	A			
Revision Date	00/00/00			
Page	1 OF 8			



Drawing	MFG	<i>Tunnel Mill Polymer, Inc.</i>
M.05.E.E.2.532.A	AFC	
Drawn By	Cabinet	103 Main St. Po Box 23 Alden, IA 50006 Phone: 515.859.7629 Fax: 515.859.7706 Email: Sales@tunnelmill.com Website: Tunnelmill.com
Marcela Hoversten	240NCC	
Date	Foundation	Please check tunnelmill.com for the latest version of this drawing and for downloads in other drawing formats.
09/11/09	B365406-24	
Checked By	Vault	Revision A
Brian Day	U304836	
Date	Revision Date	Page
00/00/00	00/00/00	
Revision	Page	2 OF 8



Drawing	M.05.E.E.2.532.A	MFG	AFC	<i>Tunnel Mill Polymer, Inc.</i> 103 Main St. Po Box 23 Alden, IA 50006 Phone: 515.859.7629 Fax: 515.859.7706 Email: Sales@tunnelmill.com Website: Tunnelmill.com
Drawn By	Marcela Hoversten	Cabinet	240NCC	
Date	09/11/09	Foundation	B365406-24	
Checked By	Brian Day	Vault	U304836	
Date	00/00/00	Please check tunnelmill.com for the latest version of this drawing and for downloads in other drawing formats.		
Revision	A			
Revision Date	00/00/00			
Page	3 OF 8			



Drawing	M.05.E.E.2.532.A	MFG	AFC	<p><i>Tunnel Mill Polymer, Inc.</i></p> <p>103 Main St. Po Box 23 Alden, IA 50006 Phone: 515.859.7629 Fax: 515.859.7706 Email: Sales@tunnelmill.com Website: Tunnelmill.com</p>
Drawn By	Marcela Hoversten	Cabinet	240NCC	
Date	09/11/09	Foundation	B365406-24	
Checked By	Brian Day	Vault	U304836	
Date	00/00/00	Please check tunnelmill.com for the latest version of this drawing and for downloads in other drawing formats.		
Revision	A			
Revision Date	00/00/00			
Page	4 OF 8			