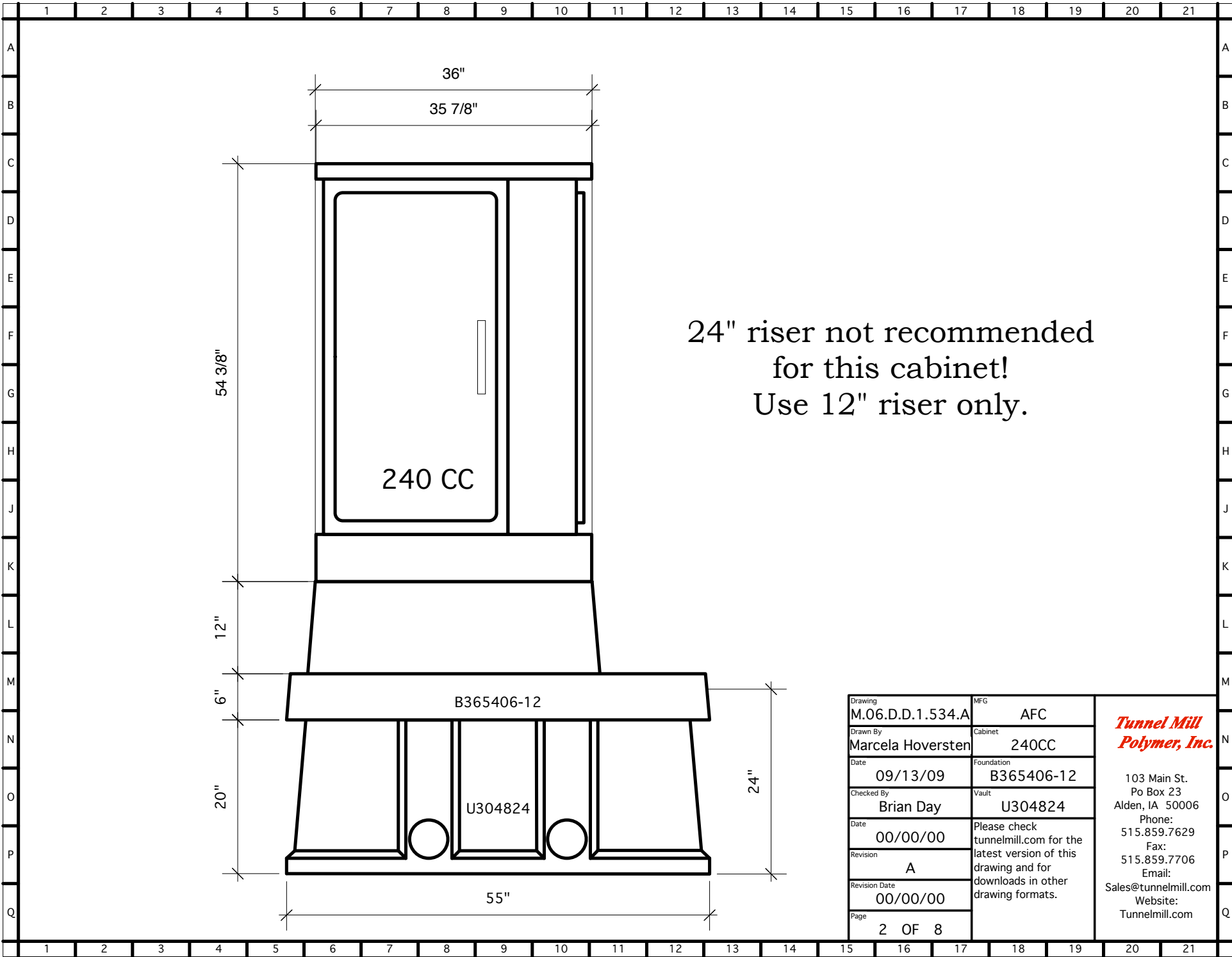


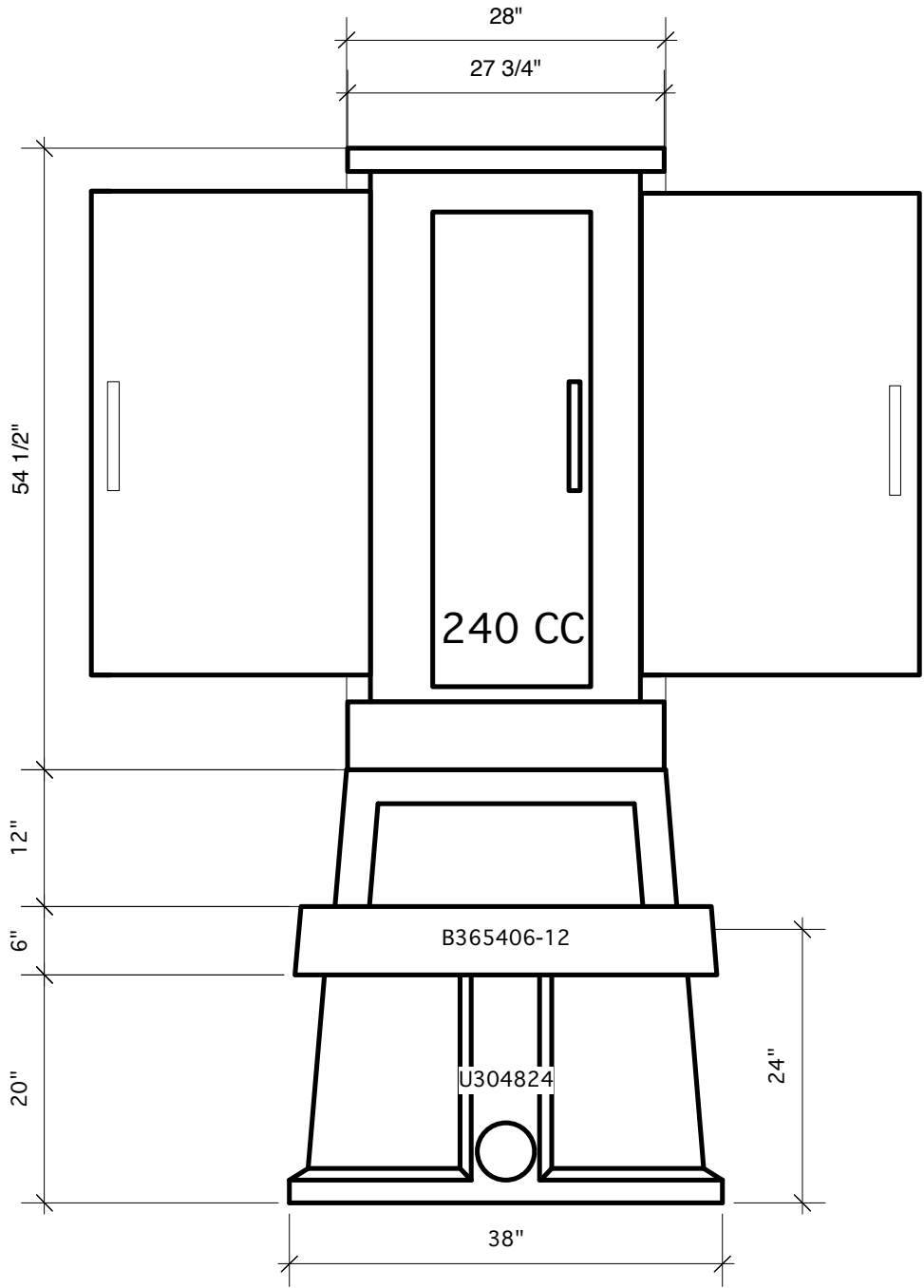
Drawing	M.06.D.D.1.534.A	MFG	AFC	<i>Tunnel Mill Polymer, Inc.</i> 103 Main St. Po Box 23 Alden, IA 50006 Phone: 515.859.7629 Fax: 515.859.7706 Email: Sales@tunnelmill.com Website: Tunnelmill.com
Drawn By	Marcela Hoversten	Cabinet	240CC	
Date	09/13/09	Foundation	B365406-12	
Checked By	Brian Day	Vault	U304824	
Date	00/00/00	Please check tunnelmill.com for the latest version of this drawing and for downloads in other drawing formats.		
Revision	A			
Revision Date	00/00/00			
Page	1 OF 8			



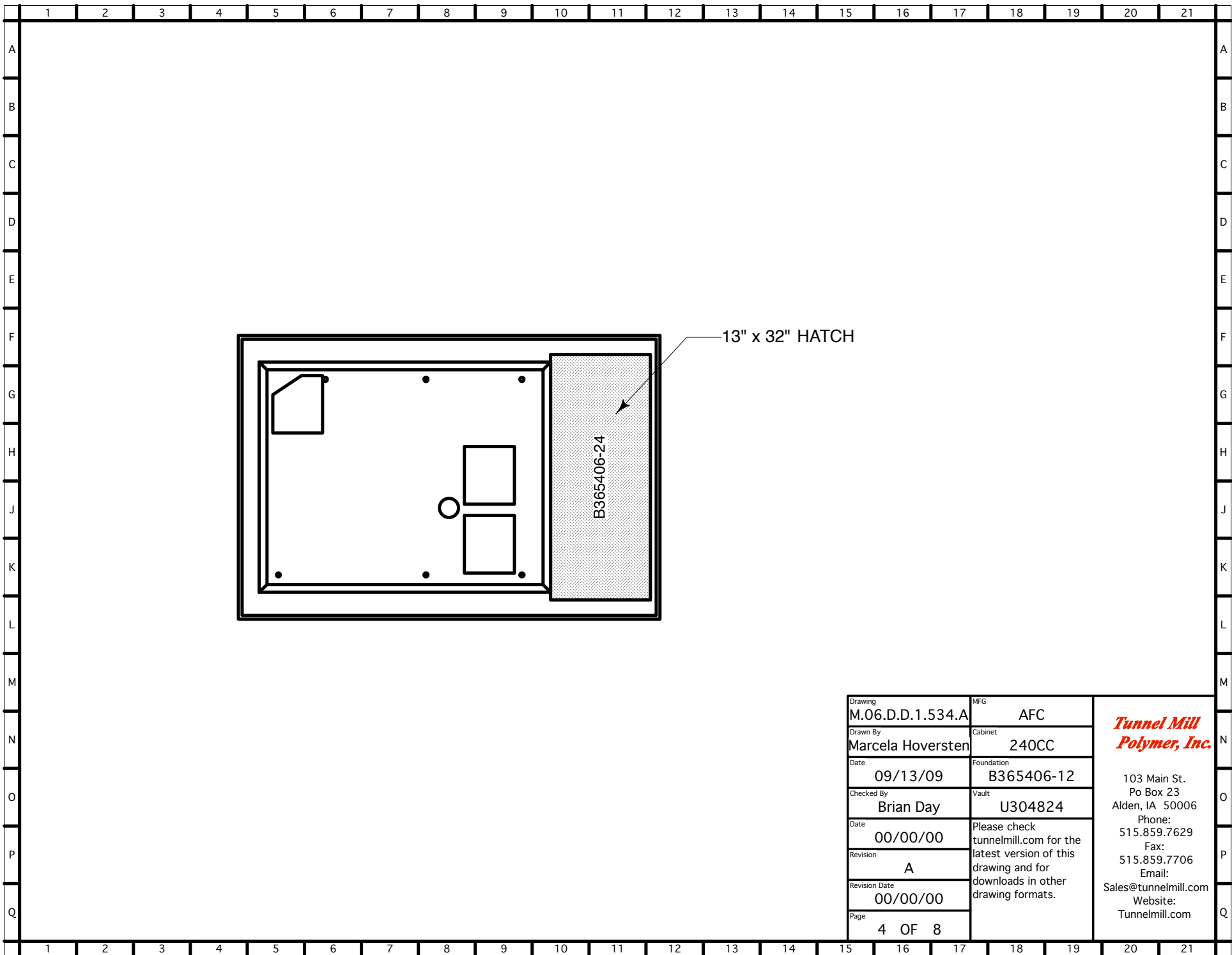
Drawing	MFG
M.06.D.D.1.534.A	AFC
Drawn By	Cabinet
Marcela Hoversten	240CC
Date	Foundation
09/13/09	B365406-12
Checked By	Vault
Brian Day	U304824
Date	Please check tunnelmill.com for the latest version of this drawing and for downloads in other drawing formats.
00/00/00	
Revision	
A	
Revision Date	
00/00/00	
Page	
2 OF 8	

***Tunnel Mill
Polymer, Inc.***

103 Main St.
Po Box 23
Alden, IA 50006
Phone:
515.859.7629
Fax:
515.859.7706
Email:
Sales@tunnelmill.com
Website:
Tunnelmill.com



Drawing	MFG	<i>Tunnel Mill Polymer, Inc.</i> 103 Main St. Po Box 23 Alden, IA 50006 Phone: 515.859.7629 Fax: 515.859.7706 Email: Sales@tunnelmill.com Website: Tunnelmill.com
M.06.D.D.1.534.A	AFC	
Drawn By	Cabinet	
Marcela Hoversten	240CC	
Date	Foundation	
09/13/09	B365406-12	
Checked By	Vault	
Brian Day	U304824	
Date	Please check tunnelmill.com for the latest version of this drawing and for downloads in other drawing formats.	
Revision	A	
Revision Date	00/00/00	
Page	3 OF 8	



13" x 32" HATCH

B365406-24

Drawing	M.06.D.D.1.534.A	MFG	AFC	<p><i>Tunnel Mill Polymer, Inc.</i></p> <p>103 Main St. Po Box 23 Alden, IA 50006 Phone: 515.859.7629 Fax: 515.859.7706 Email: Sales@tunnelmill.com Website: Tunnelmill.com</p>
Drawn By	Marcela Hoversten	Cabinet	240CC	
Date	09/13/09	Foundation	B365406-12	
Checked By	Brian Day	Vault	U304824	
Date	00/00/00	Please check tunnelmill.com for the latest version of this drawing and for downloads in other drawing formats.		
Revision	A			
Revision Date	00/00/00			
Page	4 OF 8			