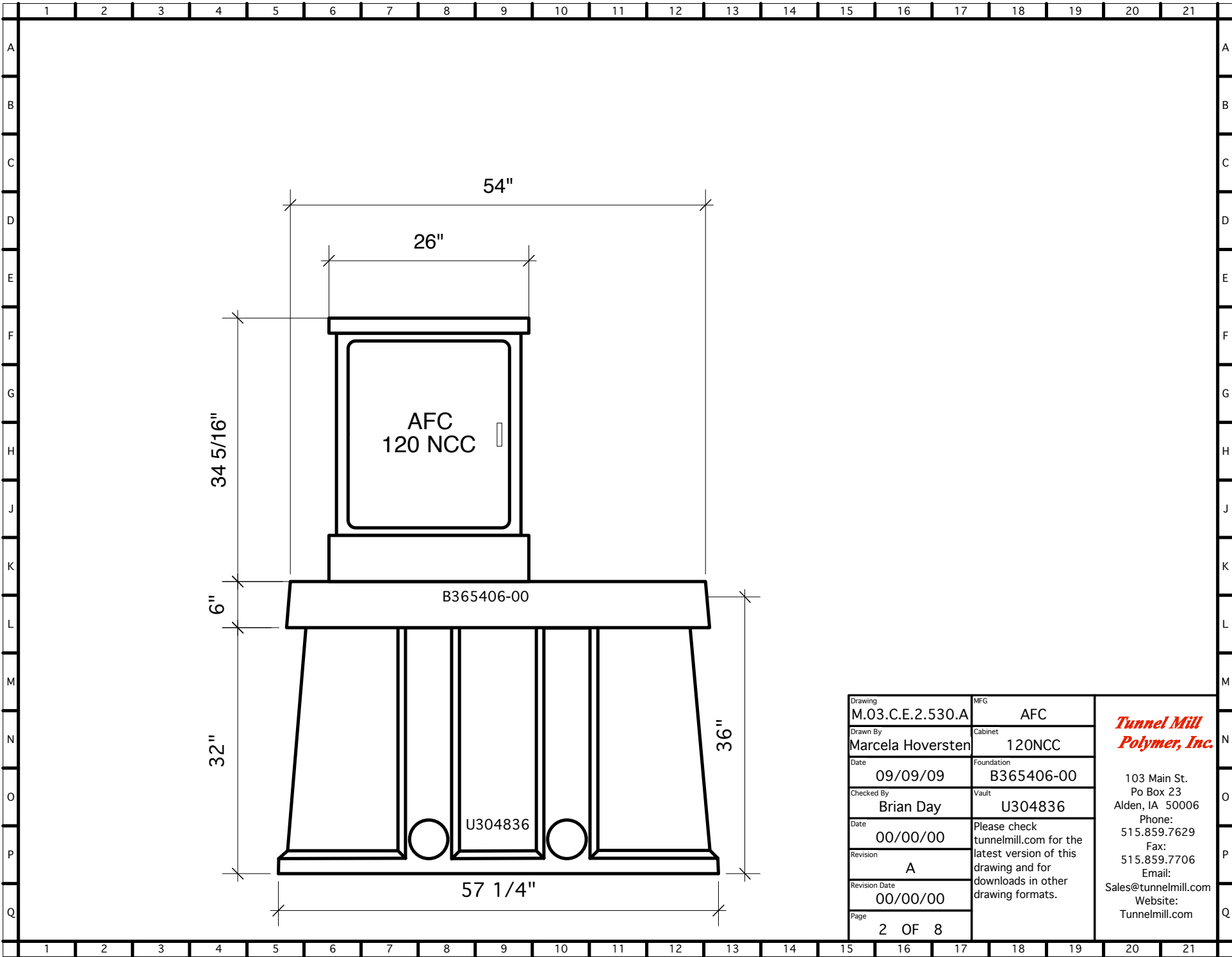
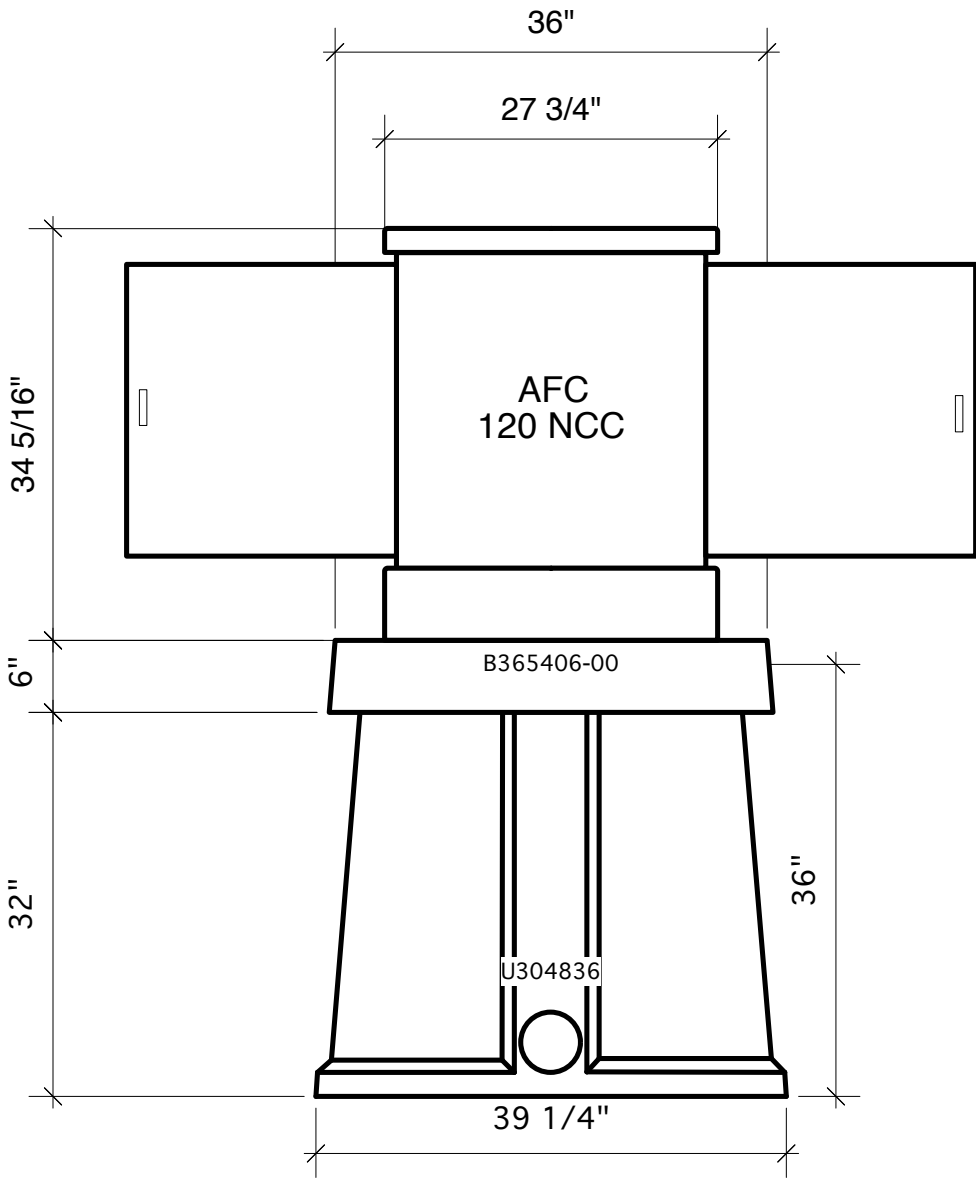


Drawing	M.03.C.E.2.530.A	MFG	AFC	<i>Tunnel Mill Polymer, Inc.</i> 103 Main St. Po Box 23 Alden, IA 50006 Phone: 515.859.7629 Fax: 515.859.7706 Email: Sales@tunnelmill.com Website: Tunnelmill.com
Drawn By	Marcela Hoversten	Cabinet	120NCC	
Date	09/09/09	Foundation	B365406-00	
Checked By	Brian Day	Vault	U304836	
Date	00/00/00	Please check tunnelmill.com for the latest version of this drawing and for downloads in other drawing formats.		
Revision	A			
Revision Date	00/00/00			
Page	1 OF 8			



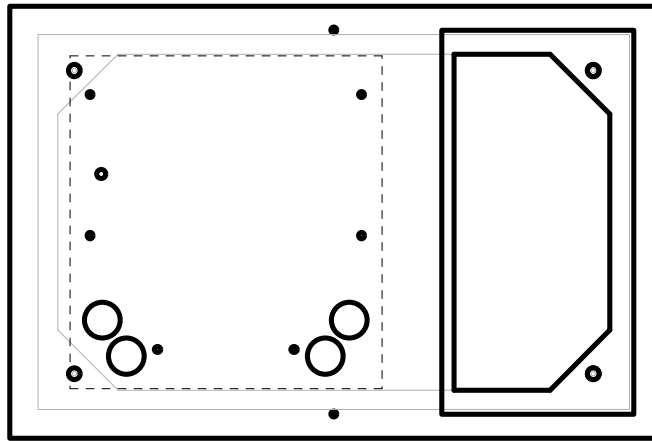
Drawing	MFG	<i>Tunnel Mill Polymer, Inc.</i>
M.03.C.E.2.530.A	AFC	
Drawn By	Cabinet	103 Main St. Po Box 23 Alden, IA 50006 Phone: 515.859.7629 Fax: 515.859.7706 Email: Sales@tunnelmill.com Website: Tunnelmill.com
Marcela Hoversten	120NCC	
Date	Foundation	Please check tunnelmill.com for the latest version of this drawing and for downloads in other drawing formats.
09/09/09	B365406-00	
Checked By	Vault	Revision
Brian Day	U304836	
Date	Revision Date	Page
00/00/00	00/00/00	
Revision		
A		
Revision Date		
00/00/00		
Page		
2 OF 8		



Drawing	M.03.C.E.2.530.A	MFG	AFC
Drawn By	Marcela Hoversten	Cabinet	120NCC
Date	09/09/09	Foundation	B365406-00
Checked By	Brian Day	Vault	U304836
Date	00/00/00	Please check tunnelmill.com for the latest version of this drawing and for downloads in other drawing formats.	
Revision	A		
Revision Date	00/00/00		
Page	3 OF 8		

***Tunnel Mill
Polymer, Inc.***

103 Main St.
Po Box 23
Alden, IA 50006
Phone:
515.859.7629
Fax:
515.859.7706
Email:
Sales@tunnelmill.com
Website:
Tunnelmill.com



Drawing	MFG	<p><i>Tunnel Mill Polymer, Inc.</i></p> <p>103 Main St. Po Box 23 Alden, IA 50006 Phone: 515.859.7629 Fax: 515.859.7706 Email: Sales@tunnelmill.com Website: Tunnelmill.com</p>
M.03.C.E.2.530.A	AFC	
Drawn By	Cabinet	
Marcela Hoversten	120NCC	
Date	Foundation	
09/09/09	B365406-00	
Checked By	Vault	
Brian Day	U304836	
Date	Please check tunnelmill.com for the latest version of this drawing and for downloads in other drawing formats.	
00/00/00		
Revision		
A		
Revision Date	Please check tunnelmill.com for the latest version of this drawing and for downloads in other drawing formats.	
00/00/00		
Page	4 OF 8	