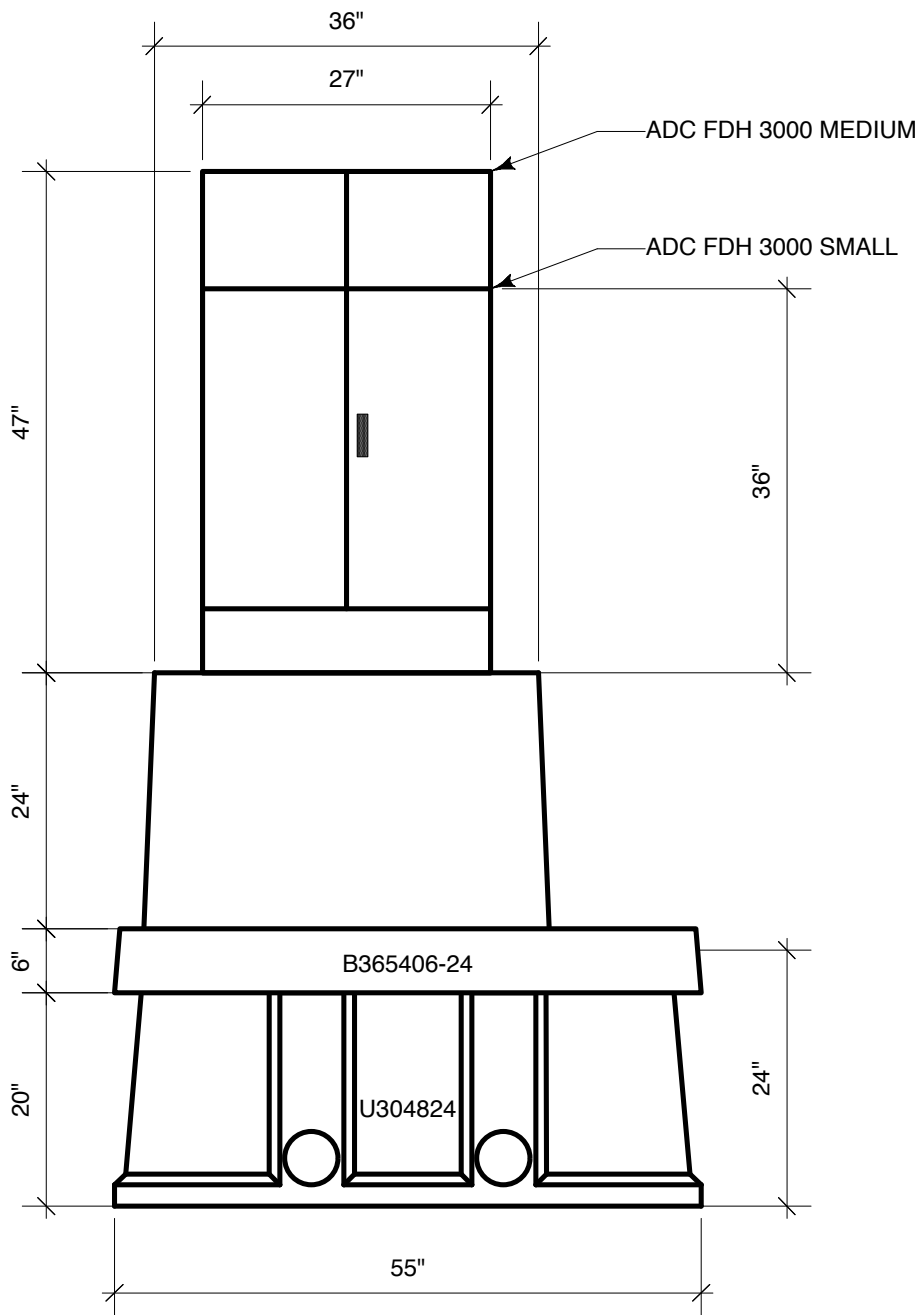


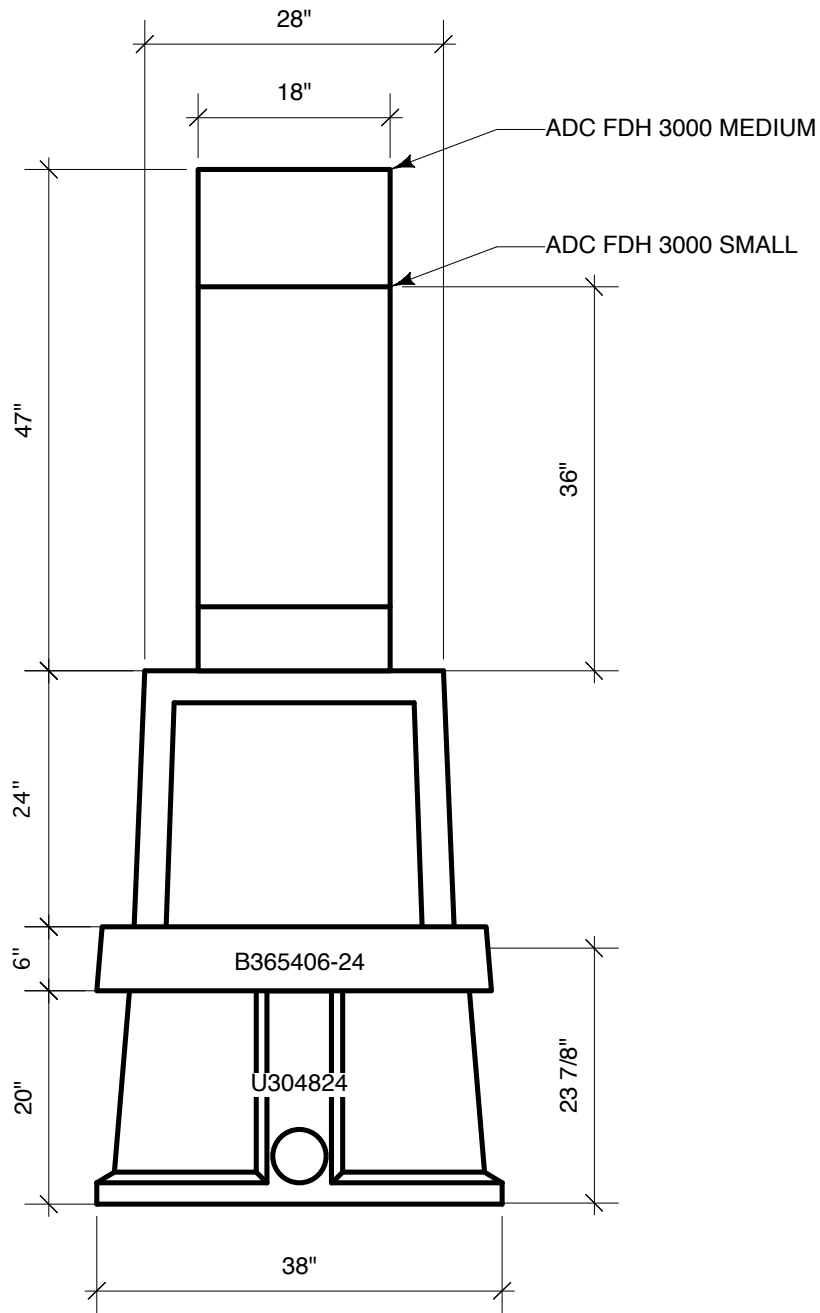
Drawing	V.01.E.D.1.124.A	MFG	ADC	<i>Tunnel Mill Polymer, Inc.</i> 103 Main St. Po Box 23 Alden, IA 50006 Phone: 515.859.7629 Fax: 515.859.7706 Email: Sales@tunnelmill.com Website: Tunnelmill.com
Drawn By	Marcela Hoversten	Cabinet	FDH 3000sm/med	
Date	03/24/10	Foundation	B365406-24	
Checked By	Brian Day	Vault	U304824	
Date	00/00/00	Please check tunnelmill.com for the latest version of this drawing and for downloads in other drawing formats.		
Revision	A			
Revision Date	00/00/00			
Page	1 OF 8			



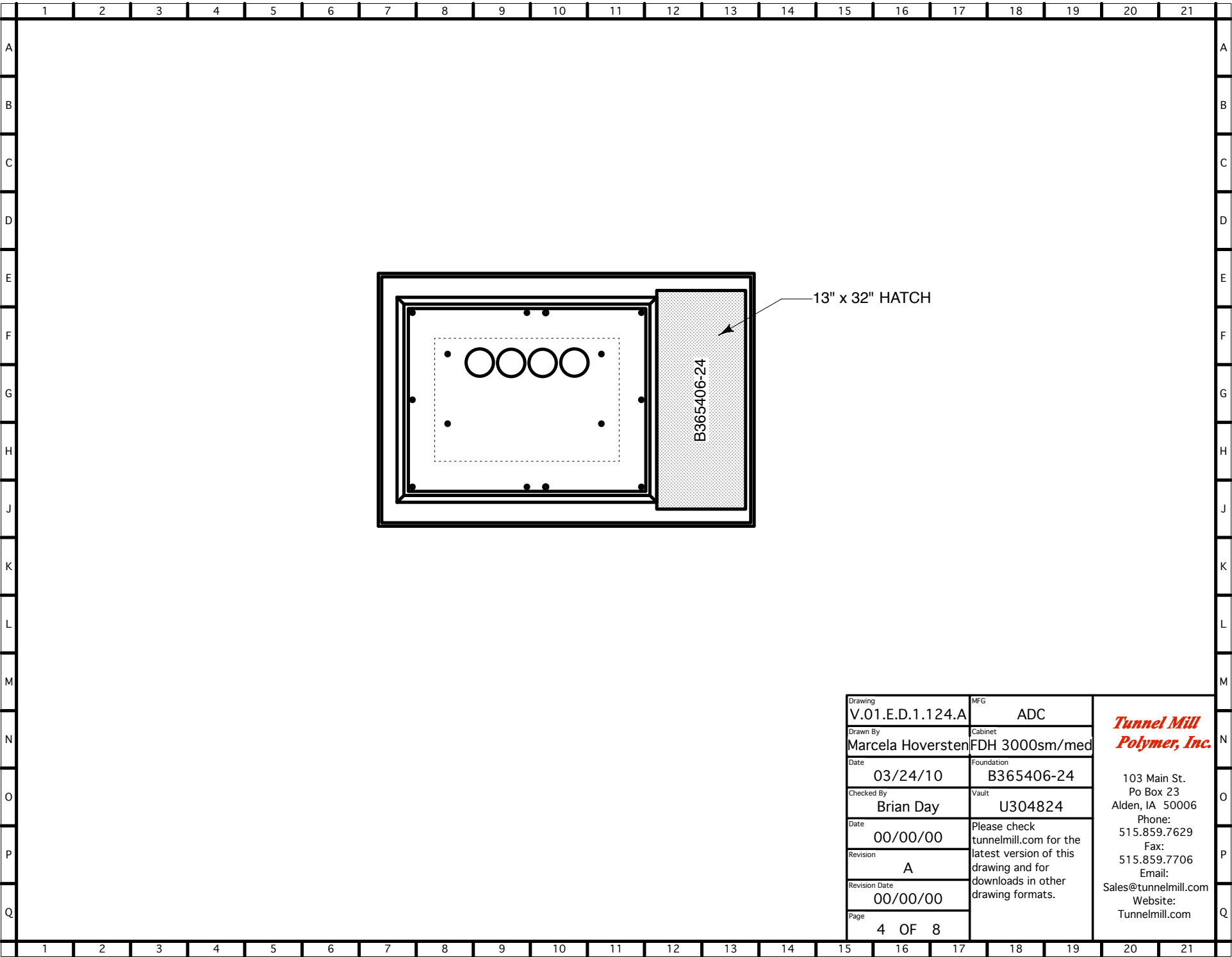
Drawing V.01.E.D.1.124.A	MFG ADC
Drawn By Marcela Hoversten	Cabinet FDH 3000sm/med
Date 03/24/10	Foundation B365406-24
Checked By Brian Day	Vault U304824
Date 00/00/00	Please check tunnelmill.com for the latest version of this drawing and for downloads in other drawing formats.
Revision A	
Revision Date 00/00/00	
Page 2 OF 8	

***Tunnel Mill
Polymer, Inc.***

103 Main St.
Po Box 23
Alden, IA 50006
Phone:
515.859.7629
Fax:
515.859.7706
Email:
Sales@tunnelmill.com
Website:
Tunnelmill.com



Drawing	V.01.E.D.1.124.A	MFG	ADC	<i>Tunnel Mill Polymer, Inc.</i> 103 Main St. Po Box 23 Alden, IA 50006 Phone: 515.859.7629 Fax: 515.859.7706 Email: Sales@tunnelmill.com Website: Tunnelmill.com
Drawn By	Marcela Hoversten	Cabinet	FDH 3000sm/med	
Date	03/24/10	Foundation	B365406-24	
Checked By	Brian Day	Vault	U304824	
Date	00/00/00	Please check tunnelmill.com for the latest version of this drawing and for downloads in other drawing formats.		
Revision	A			
Revision Date	00/00/00			
Page	3 OF 8			



Drawing	V.01.E.D.1.124.A	MFG	ADC
Drawn By	Marcela Hoversten	Cabinet	FDH 3000sm/med
Date	03/24/10	Foundation	B365406-24
Checked By	Brian Day	Vault	U304824
Date	00/00/00	Please check tunnelmill.com for the latest version of this drawing and for downloads in other drawing formats.	
Revision	A		
Revision Date	00/00/00		
Page	4 OF 8		

***Tunnel Mill
Polymer, Inc.***

103 Main St.
Po Box 23
Alden, IA 50006
Phone:
515.859.7629
Fax:
515.859.7706
Email:
Sales@tunnelmill.com
Website:
Tunnelmill.com