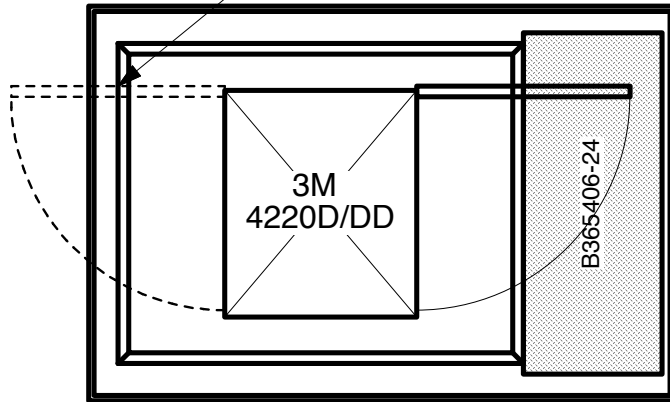
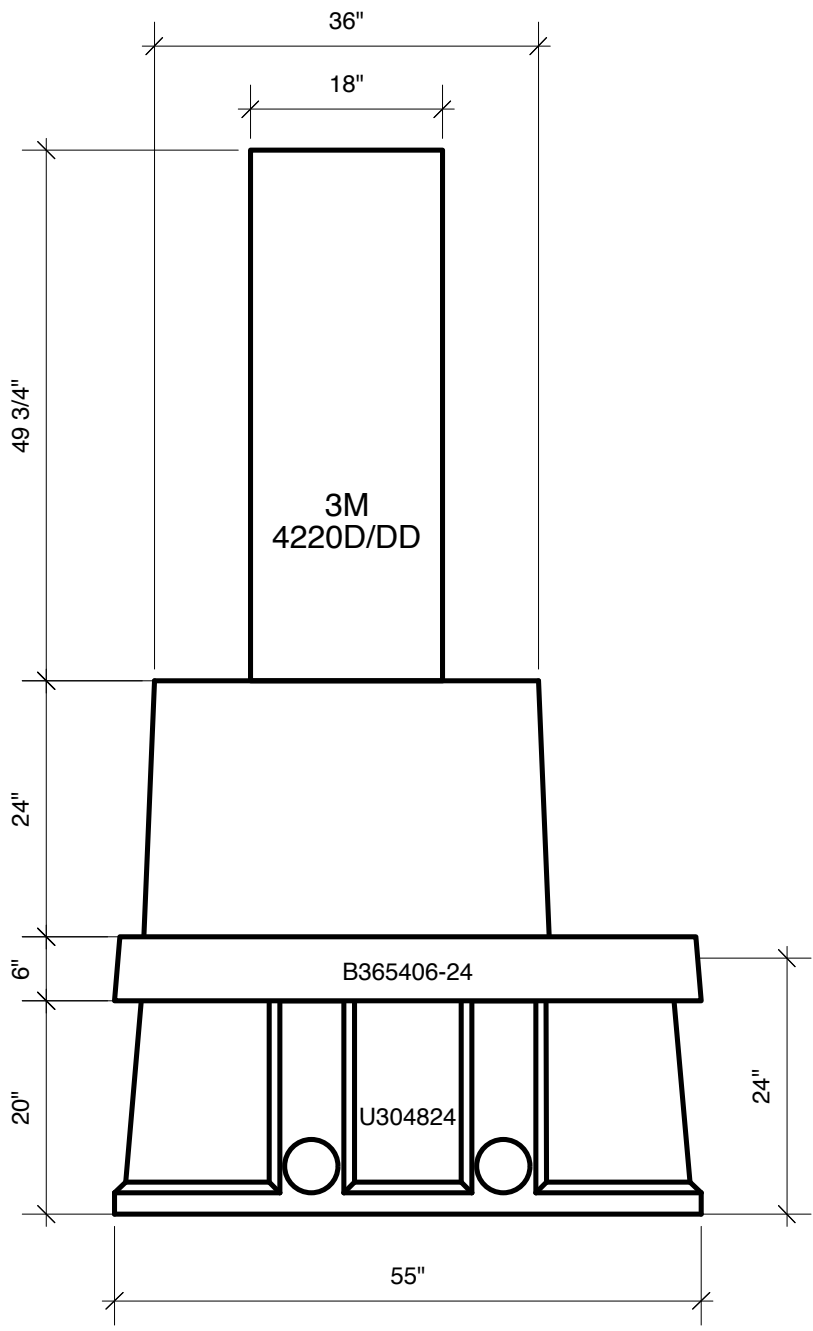


Door on both sides
for 4220 DD ONLY!



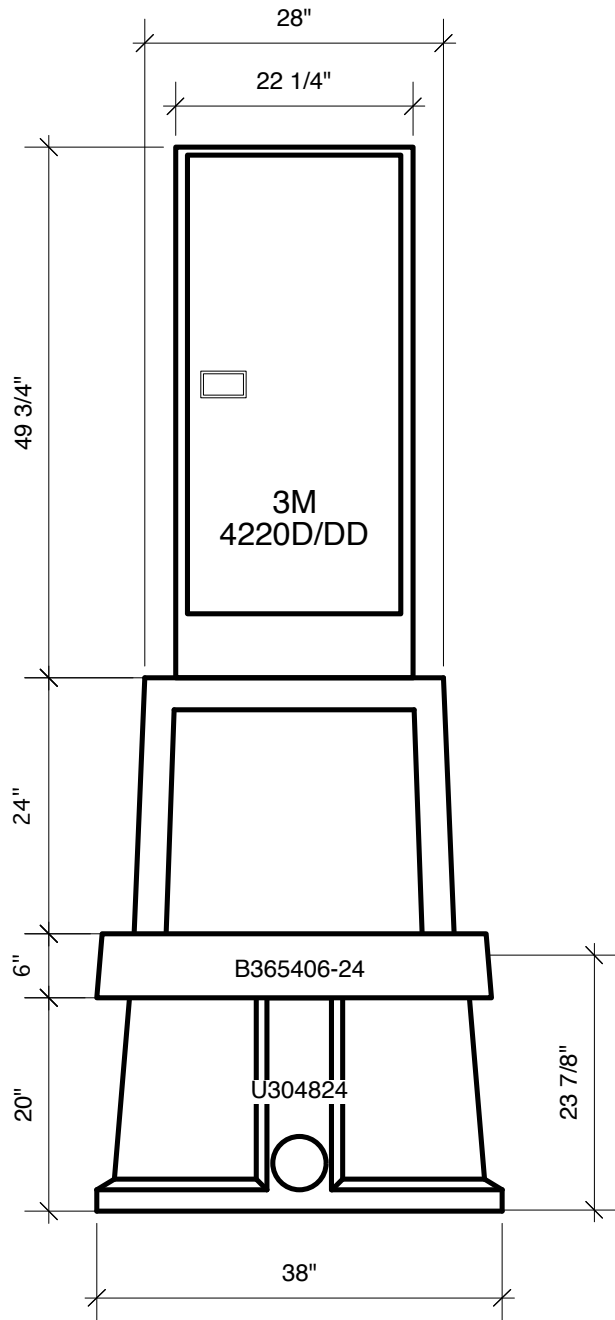
Drawing	T.01.E.D.2.035.A	MFG	3M	<p><i>Tunnel Mill Polymer, Inc.</i></p> <p>103 Main St. Po Box 23 Alden, IA 50006 Phone: 515.859.7629 Fax: 515.859.7706 Email: Sales@tunnelmill.com Website: Tunnelmill.com</p>
Drawn By	Marcela Hoversten	Cabinet	4220 D/DD	
Date	12/10/09	Foundation	B365406-24	
Checked By	Brian Day	Vault	U304824	
Date	00/00/00	Please check tunnelmill.com for the latest version of this drawing and for downloads in other drawing formats.		
Revision	A			
Revision Date	00/00/00			
Page	1 OF 8			



Drawing	T.01.E.D.2.035.A	MFG	3M
Drawn By	Marcela Hoversten	Cabinet	4220 D/DD
Date	12/10/09	Foundation	B365406-24
Checked By	Brian Day	Vault	U304824
Date	00/00/00	Please check tunnelmill.com for the latest version of this drawing and for downloads in other drawing formats.	
Revision	A		
Revision Date	00/00/00		
Page	2 OF 8		

***Tunnel Mill
Polymer, Inc.***

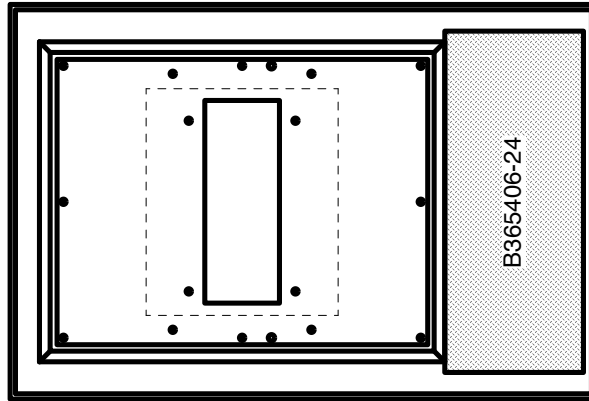
103 Main St.
Po Box 23
Alden, IA 50006
Phone: 515.859.7629
Fax: 515.859.7706
Email: Sales@tunnelmill.com
Website: Tunnelmill.com



Drawing	T.01.E.D.2.035.A	MFG	3M
Drawn By	Marcela Hoversten	Cabinet	4220 D/DD
Date	12/10/09	Foundation	B365406-24
Checked By	Brian Day	Vault	U304824
Date	00/00/00	Please check tunnelmill.com for the latest version of this drawing and for downloads in other drawing formats.	
Revision	A		
Revision Date	00/00/00		
Page	3 OF 8		

***Tunnel Mill
Polymer, Inc.***

103 Main St.
Po Box 23
Alden, IA 50006
Phone:
515.859.7629
Fax:
515.859.7706
Email:
Sales@tunnelmill.com
Website:
Tunnelmill.com



Drawing	T.01.E.D.2.035.A	MFG	3M	<p><i>Tunnel Mill Polymer, Inc.</i></p> <p>103 Main St. Po Box 23 Alden, IA 50006 Phone: 515.859.7629 Fax: 515.859.7706 Email: Sales@tunnelmill.com Website: Tunnelmill.com</p>
Drawn By	Marcela Hoversten	Cabinet	4220 D/DD	
Date	12/10/09	Foundation	B365406-24	
Checked By	Brian Day	Vault	U304824	
Date	00/00/00	Please check tunnelmill.com for the latest version of this drawing and for downloads in other drawing formats.		
Revision	A			
Revision Date	00/00/00			
Page	4 OF 8			