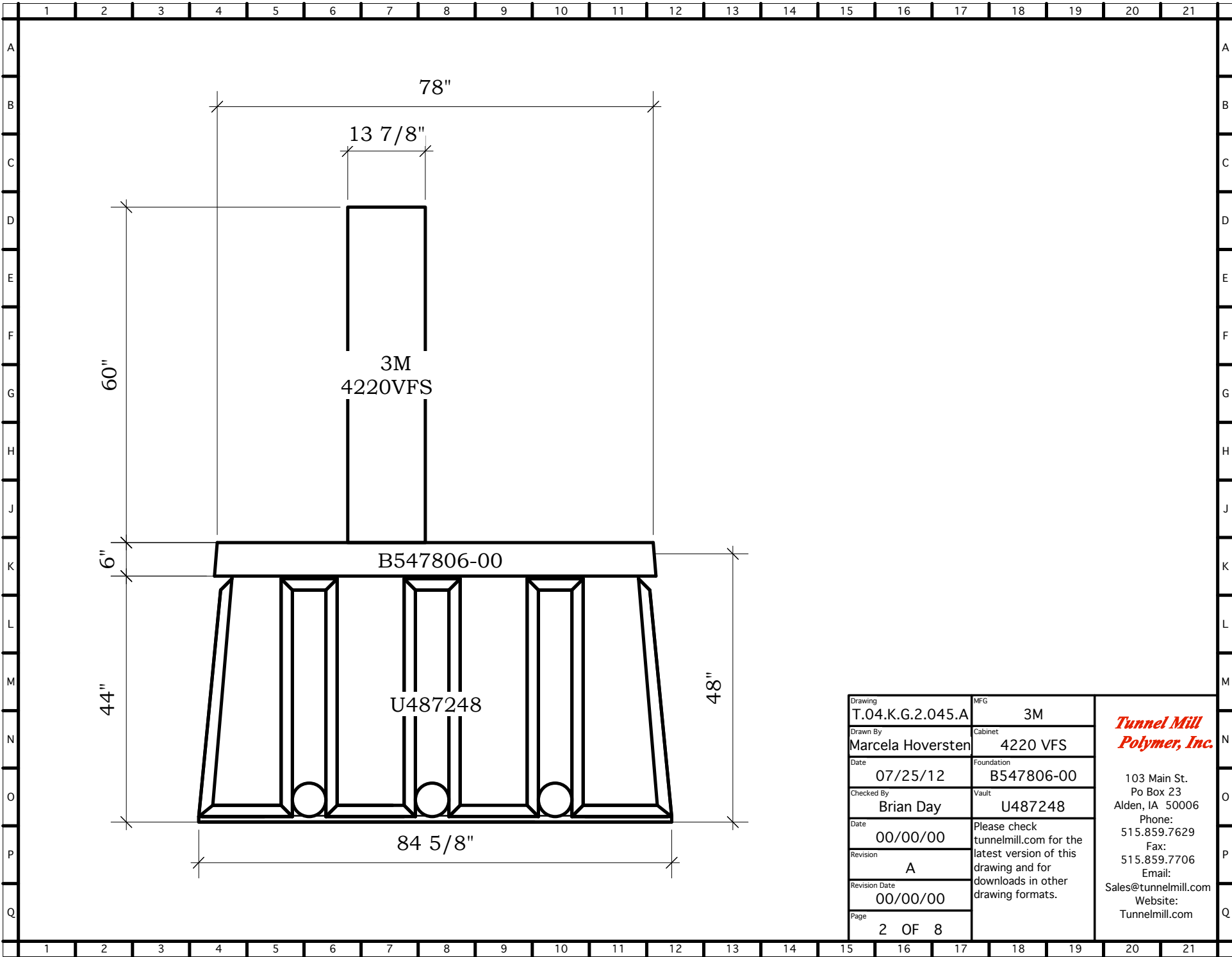


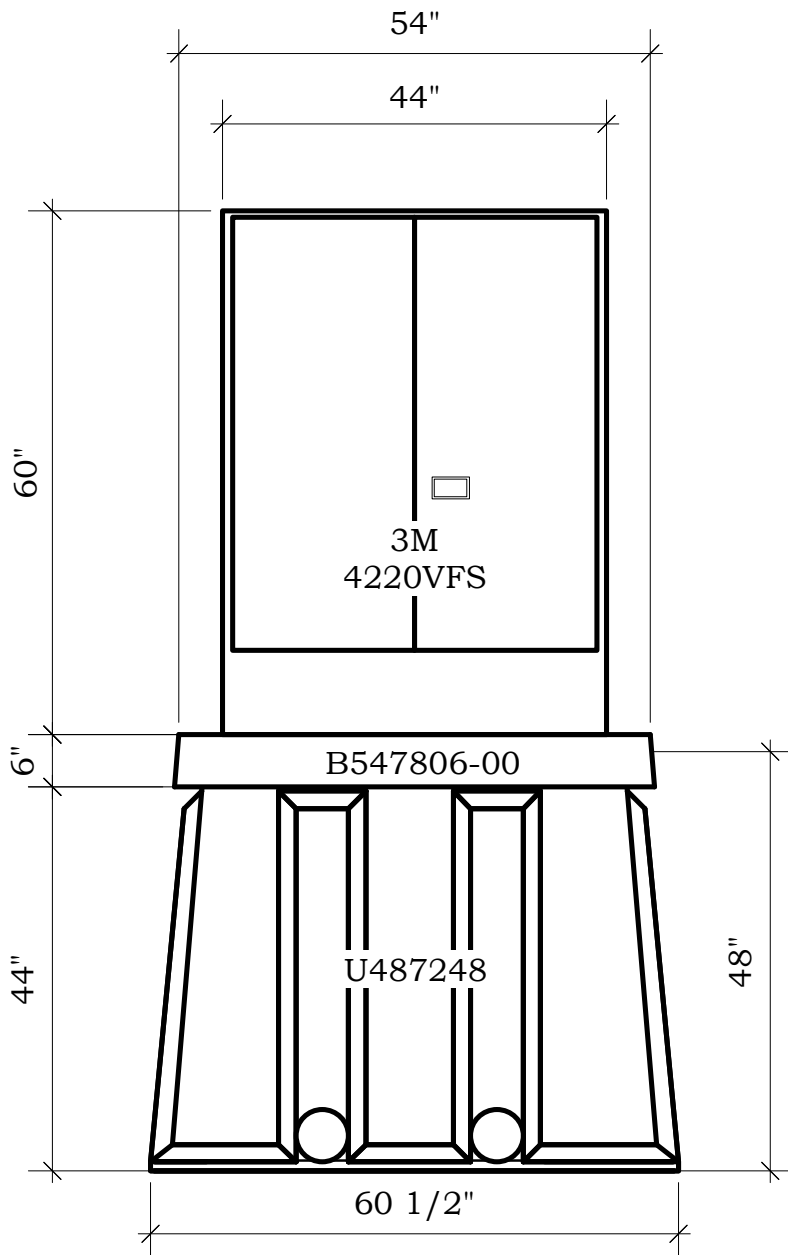
Drawing	T.04.K.G.2.045.A	MFG	3M	<b><i>Tunnel Mill Polymer, Inc.</i></b>  103 Main St. Po Box 23 Alden, IA 50006 Phone: 515.859.7629 Fax: 515.859.7706 Email: Sales@tunnelmill.com Website: Tunnelmill.com
Drawn By	Marcela Hoversten	Cabinet	4220 VFS	
Date	07/25/12	Foundation	B547806-00	
Checked By	Brian Day	Vault	U487248	
Date	00/00/00	Please check tunnelmill.com for the latest version of this drawing and for downloads in other drawing formats.		
Revision	A			
Revision Date	00/00/00			
Page	1 OF 8			



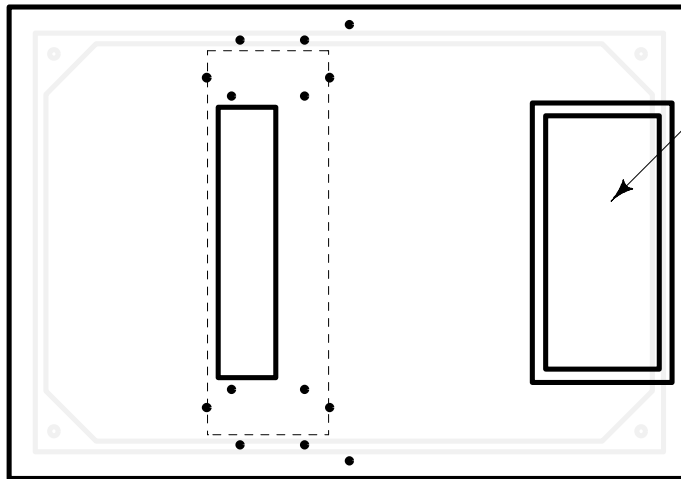
Drawing T.04.K.G.2.045.A	MFG 3M
Drawn By Marcela Hoversten	Cabinet 4220 VFS
Date 07/25/12	Foundation B547806-00
Checked By Brian Day	Vault U487248
Date 00/00/00	Please check tunnelmill.com for the latest version of this drawing and for downloads in other drawing formats.
Revision A	
Revision Date 00/00/00	
Page 2 OF 8	

***Tunnel Mill  
Polymer, Inc.***

103 Main St.  
Po Box 23  
Alden, IA 50006  
Phone:  
515.859.7629  
Fax:  
515.859.7706  
Email:  
Sales@tunnelmill.com  
Website:  
Tunnelmill.com



Drawing	T.04.K.G.2.045.A	MFG	3M	<b><i>Tunnel Mill Polymer, Inc.</i></b>  103 Main St. Po Box 23 Alden, IA 50006 Phone: 515.859.7629 Fax: 515.859.7706 Email: Sales@tunnelmill.com Website: Tunnelmill.com
Drawn By	Marcela Hoversten	Cabinet	4220 VFS	
Date	07/25/12	Foundation	B547806-00	
Checked By	Brian Day	Vault	U487248	
Date	00/00/00	Please check tunnelmill.com for the latest version of this drawing and for downloads in other drawing formats.		
Revision	A			
Revision Date	00/00/00			
Page	3 OF 8			



16" x 32" hatch

Drawing	T.04.K.G.2.045.A	MFG	3M	<b><i>Tunnel Mill Polymer, Inc.</i></b>  103 Main St. Po Box 23 Alden, IA 50006 Phone: 515.859.7629 Fax: 515.859.7706 Email: Sales@tunnelmill.com Website: Tunnelmill.com
Drawn By	Marcela Hoversten	Cabinet	Cabinet	
Date	07/25/12	Foundation	B547806-00	
Checked By	Brian Day	Vault	U487248	
Date	00/00/00	Please check tunnelmill.com for the latest version of this drawing and for downloads in other drawing formats.		
Revision	A			
Revision Date	00/00/00			
Page	4 OF 8			