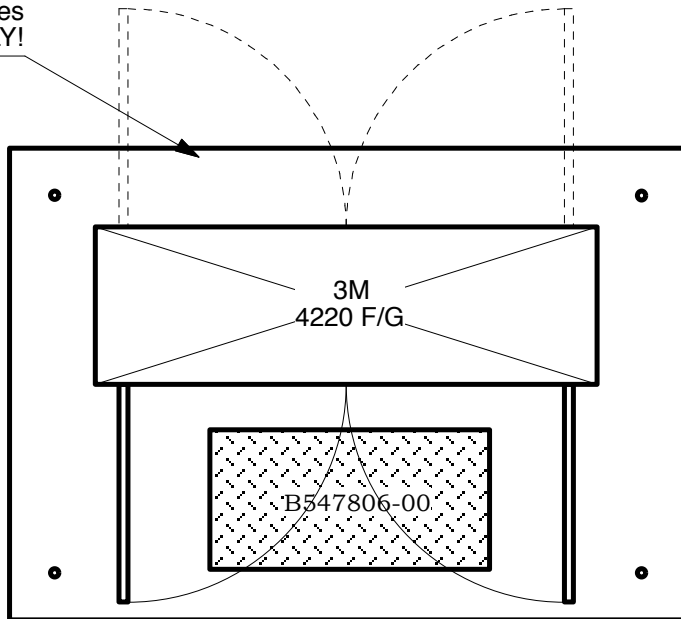
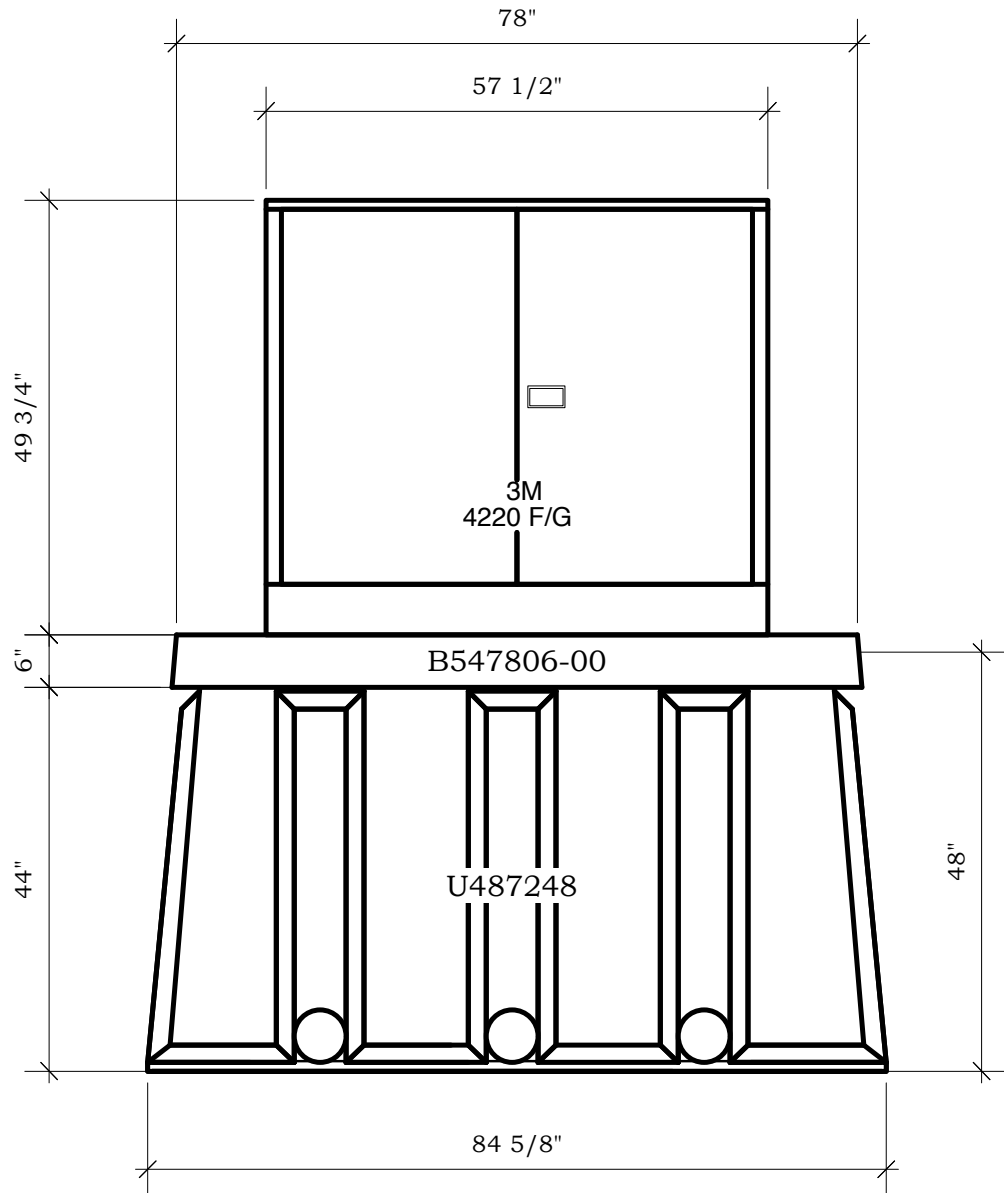


Doors on both sides  
for 4220 G ONLY!



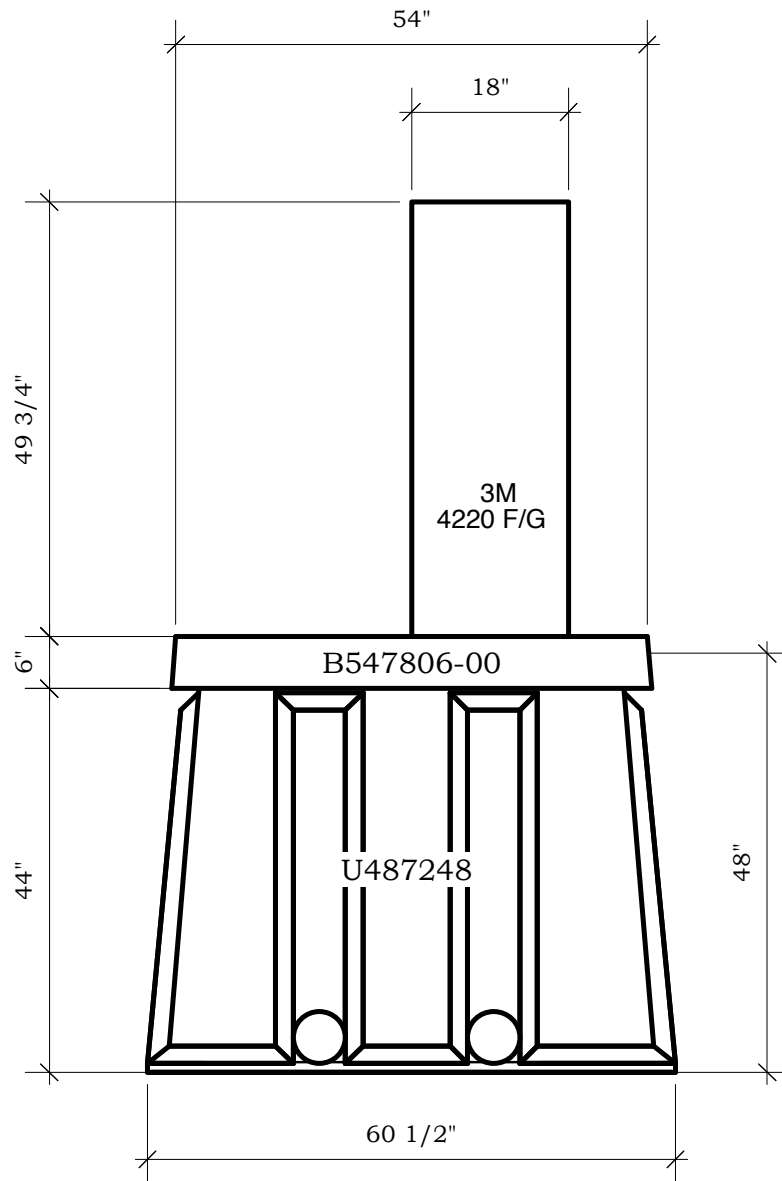
Drawing	T.06.K.G.1.055.A	MFG	3M	<b><i>Tunnel Mill Polymer, Inc.</i></b>  103 Main St. Po Box 23 Alden, IA 50006 Phone: 515.859.7629 Fax: 515.859.7706 Email: Sales@tunnelmill.com Website: Tunnelmill.com
Drawn By	Marcela Hoversten	Cabinet	4220 F/G	
Date	03/27/14	Foundation	B547806-00	
Checked By	Brian Day	Vault	U487248	
Date	00/00/00	Please check tunnelmill.com for the latest version of this drawing and for downloads in other drawing formats.		
Revision	A			
Revision Date	00/00/00			
Page	1 OF 8			



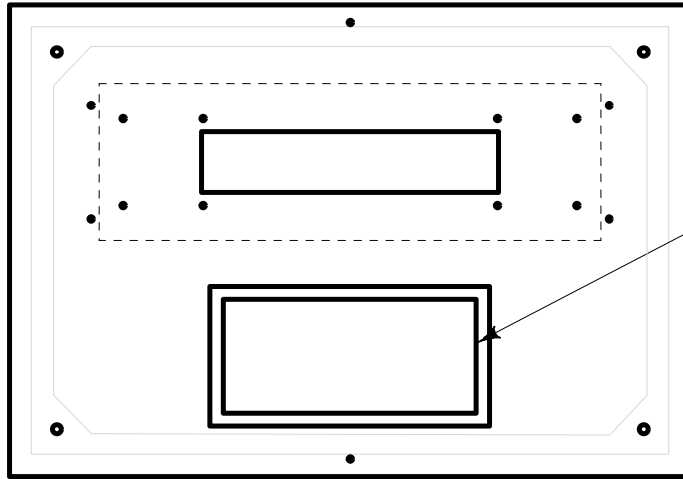
Drawing <b>T.06.K.G.1.055.A</b>	MFG <b>3M</b>
Drawn By <b>Marcela Hoversten</b>	Cabinet <b>4220 F/G</b>
Date <b>03/27/14</b>	Foundation <b>B547806-00</b>
Checked By <b>Brian Day</b>	Vault <b>U487248</b>
Date <b>00/00/00</b>	Please check tunnelmill.com for the latest version of this drawing and for downloads in other drawing formats.
Revision <b>A</b>	
Revision Date <b>00/00/00</b>	
Page <b>2 OF 8</b>	

***Tunnel Mill  
Polymer, Inc.***

103 Main St.  
Po Box 23  
Alden, IA 50006  
Phone:  
515.859.7629  
Fax:  
515.859.7706  
Email:  
Sales@tunnelmill.com  
Website:  
Tunnelmill.com



Drawing	T.06.K.G.1.055.A	MFG	3M	<b><i>Tunnel Mill Polymer, Inc.</i></b>  103 Main St. Po Box 23 Alden, IA 50006 Phone: 515.859.7629 Fax: 515.859.7706 Email: Sales@tunnelmill.com Website: Tunnelmill.com
Drawn By	Marcela Hoversten	Cabinet	4220 F/G	
Date	03/27/14	Foundation	B547806-00	
Checked By	Brian Day	Vault	U487248	
Date	00/00/00	Please check tunnelmill.com for the latest version of this drawing and for downloads in other drawing formats.		
Revision	A			
Revision Date	00/00/00			
Page	3 OF 8			



16" x 32" hatch

Drawing	T.06.K.G.1.055.A	MFG	3M	<b><i>Tunnel Mill Polymer, Inc.</i></b>  103 Main St. Po Box 23 Alden, IA 50006 Phone: 515.859.7629 Fax: 515.859.7706 Email: Sales@tunnelmill.com Website: Tunnelmill.com
Drawn By	Marcela Hoversten	Cabinet	4220 F/G	
Date	03/27/14	Foundation	B547806-00	
Checked By	Brian Day	Vault	U487248	
Date	00/00/00	Please check tunnelmill.com for the latest version of this drawing and for downloads in other drawing formats.		
Revision	A			
Revision Date	00/00/00			
Page	4 OF 8			