

FOUNDATION SYSTEMS

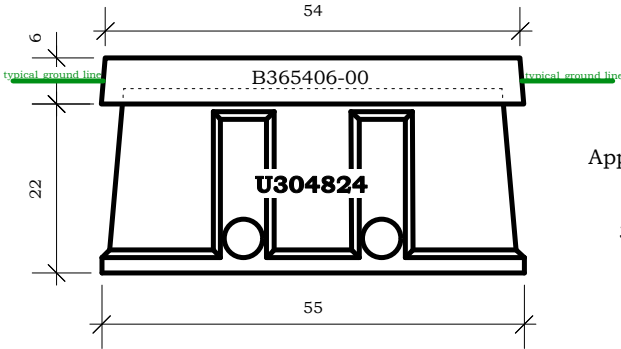
***Tunnel Mill
Polymer, Inc.***

*103 Main Street
Po Box 23
Alden, IA 50006*

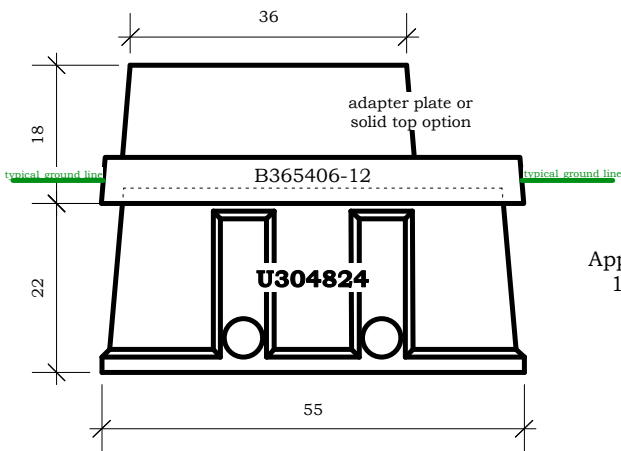
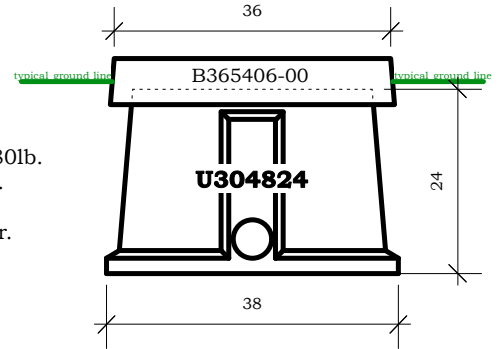
*phone 515-859-7629
fax 515-859-7706
email sales@tunnelmill.com
website www.tunnelmill.com*

U304824 vault

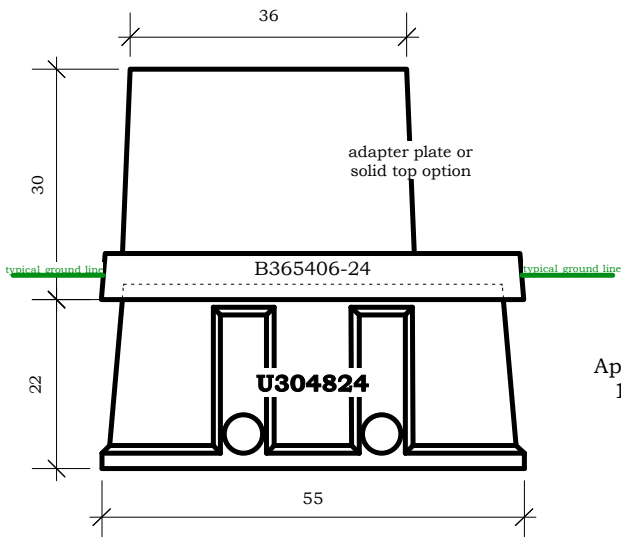
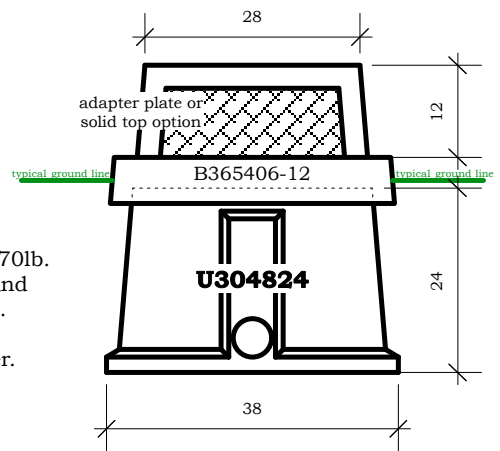
The U304824 vault can be used with the 3 shown equipment bases. These combinations are often used with 48-288 line splitter cabinets, dsblams and small to medium sized copper cross connect cabinets.



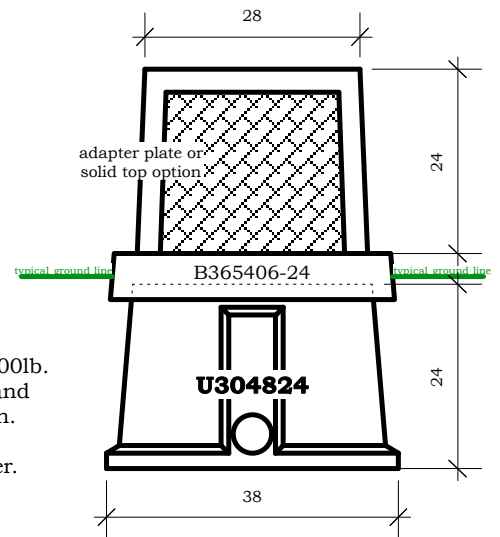
Approximate total weight is 680lb.
16" x 32" horizontal hatch.
Use for cabinets with
34"x34" footprint or smaller.



Approximate total weight is 770lb.
13" x 32" horizontal hatch and
24.5" x 9.5" vertical hatch.
Use for cabinets with
28"x36" footprint or smaller.

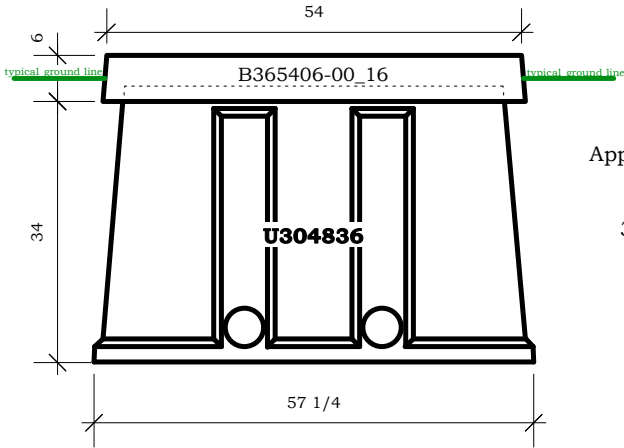


Approximate total weight is 900lb.
13" x 32" horizontal hatch and
24.5" x 20.5" vertical hatch.
Use for cabinets with
28"x36" footprint or smaller.

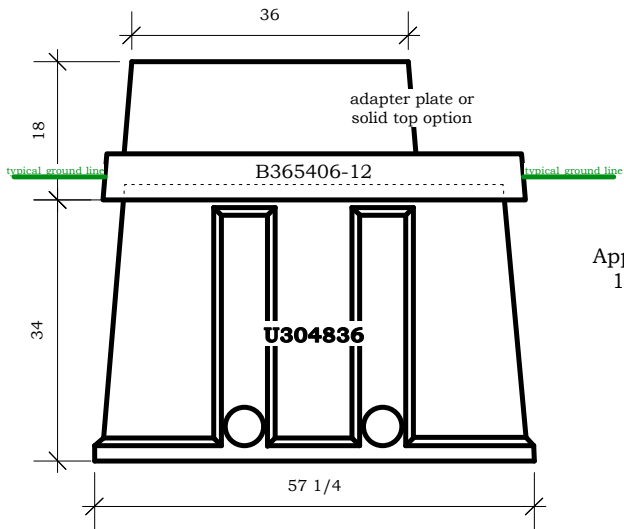
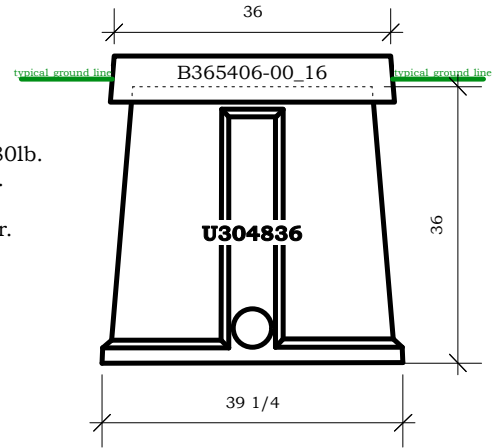


U304836 vault

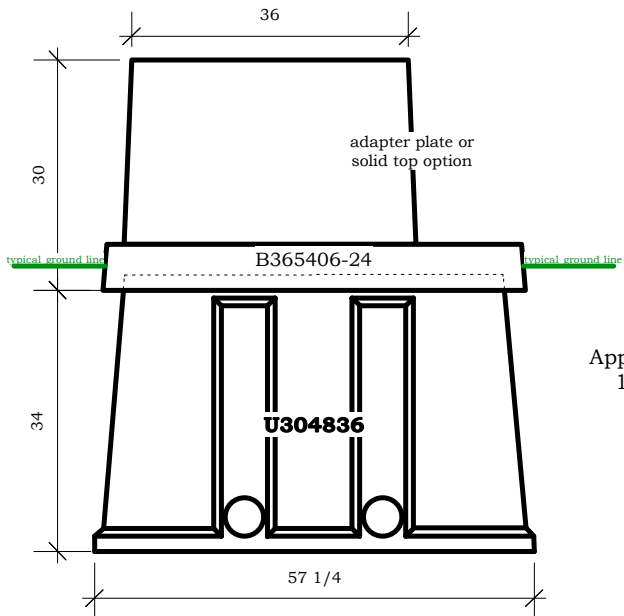
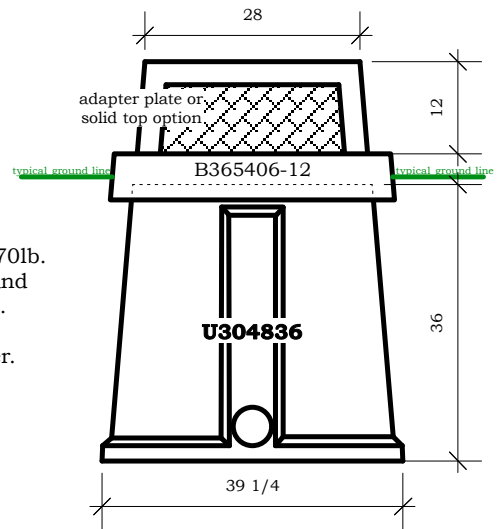
The U304836 vault can be used with the 3 shown equipment bases. These combinations are often used with 48-288 line splitter cabinets, dsblams and small to medium sized copper cross connect cabinets.



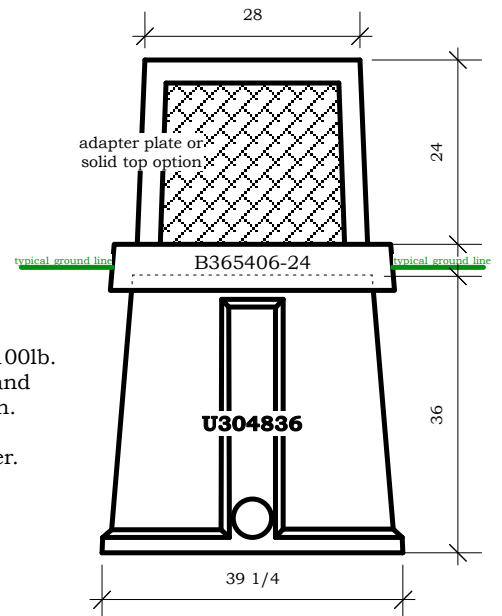
Approximate total weight is 880lb.
16" x 32" horizontal hatch.
Use for cabinets with
34"x34" footprint or smaller.



Approximate total weight is 970lb.
13" x 32" horizontal hatch and
24.5" x 9.5" vertical hatch.
Use for cabinets with
28"x36" footprint or smaller.

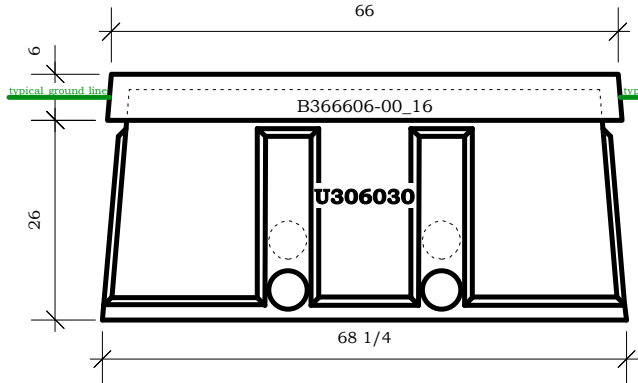


Approximate total weight is 1100lb.
13" x 32" horizontal hatch and
24.5" x 20.5" vertical hatch.
Use for cabinets with
28"x36" footprint or smaller.

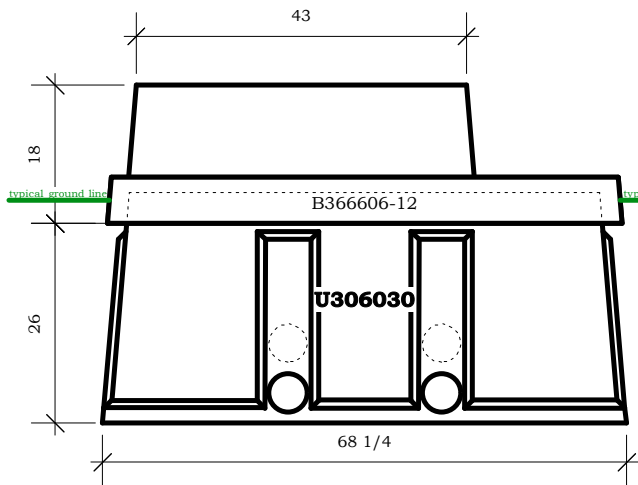
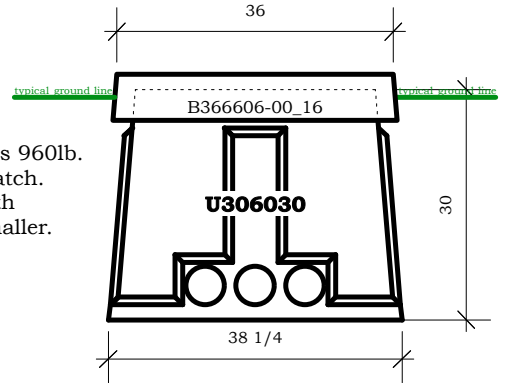


U306030 vault

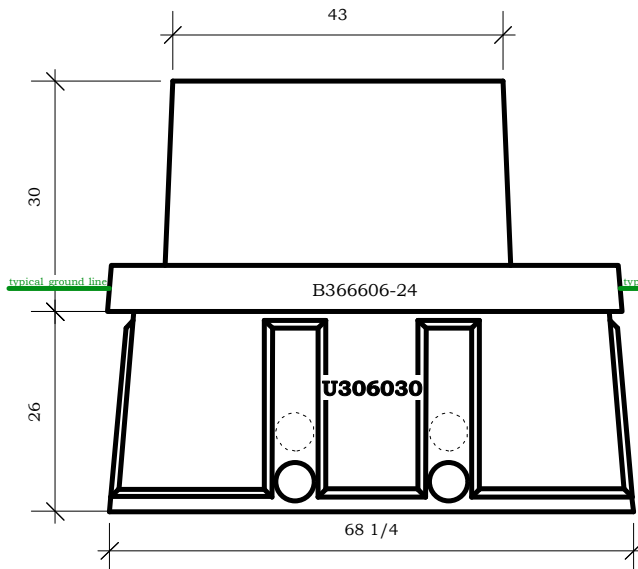
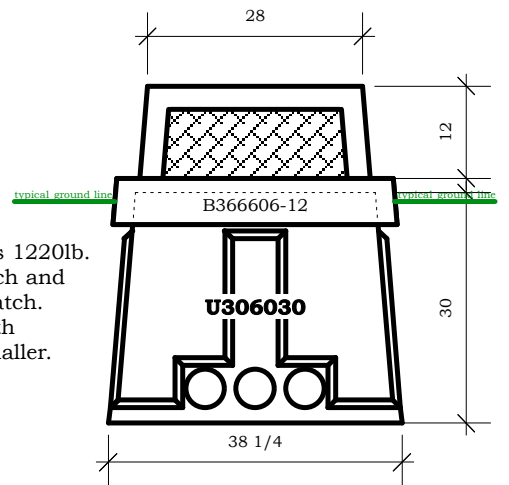
The U306030 vault can be used with the 3 shown equipment bases. These combinations are often used with splitter cabinets, dsmls and small to medium sized copper cross connect cabinets.



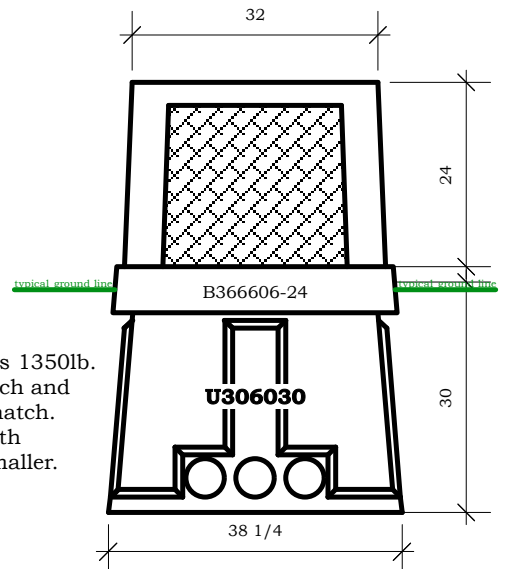
Approximate total weight is 960lb.
16" x 32" horizontal hatch.
Use for cabinets with
34"x46" footprint or smaller.



Approximate total weight is 1220lb.
13" x 32" horizontal hatch and
24.5" x 9.5" vertical hatch.
Use for cabinets with
43"x28" footprint or smaller.

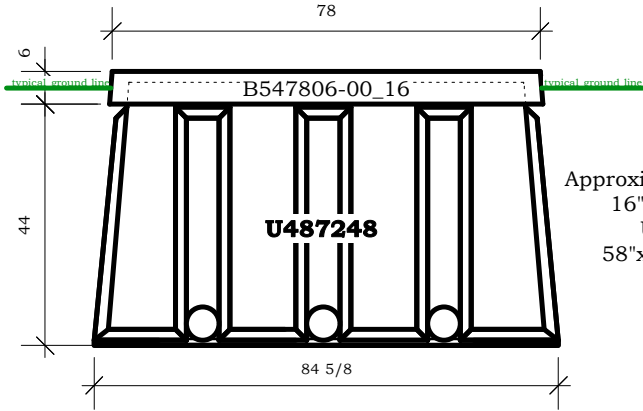


Approximate total weight is 1350lb.
13" x 32" horizontal hatch and
24.5" x 20.5" vertical hatch.
Use for cabinets with
43"x32" footprint or smaller.

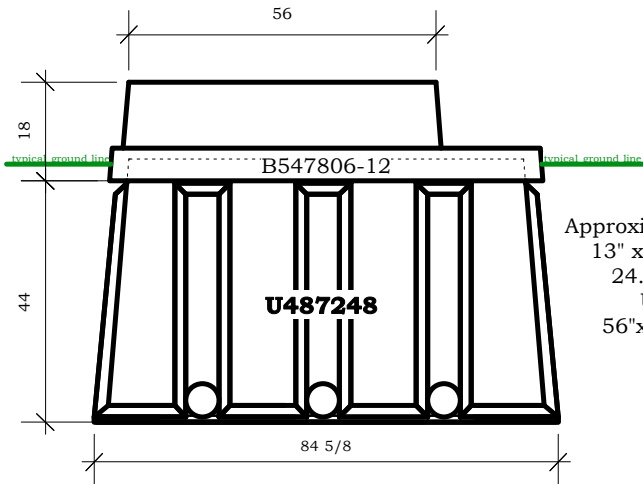
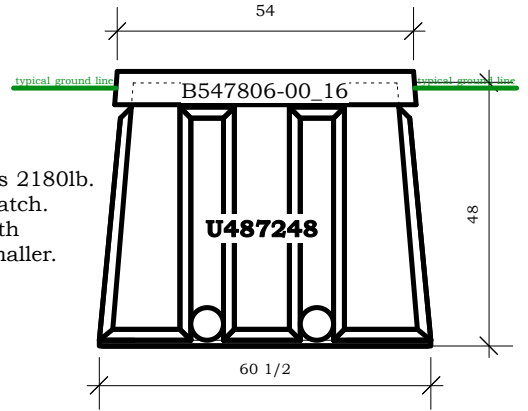


U487248 vault

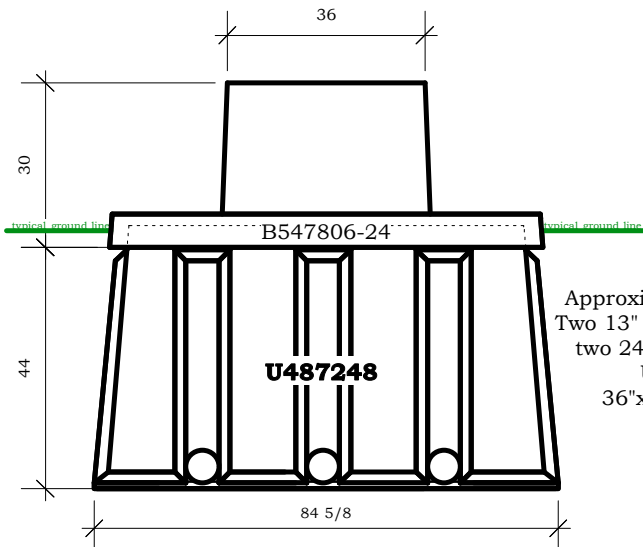
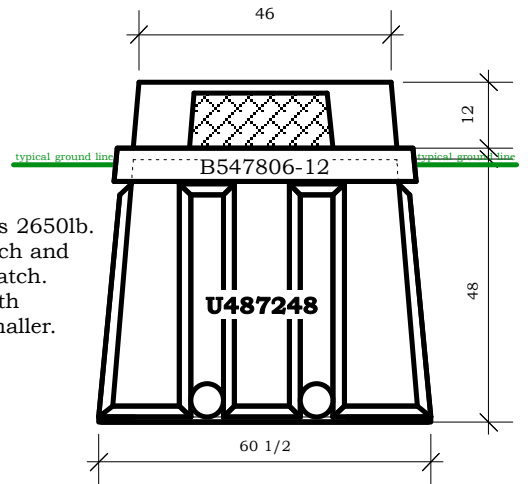
The U487248 vault can be used with the 3 shown equipment bases. These combinations are often used with splitter cabinets, dsblams and large sized copper cross connect cabinets.



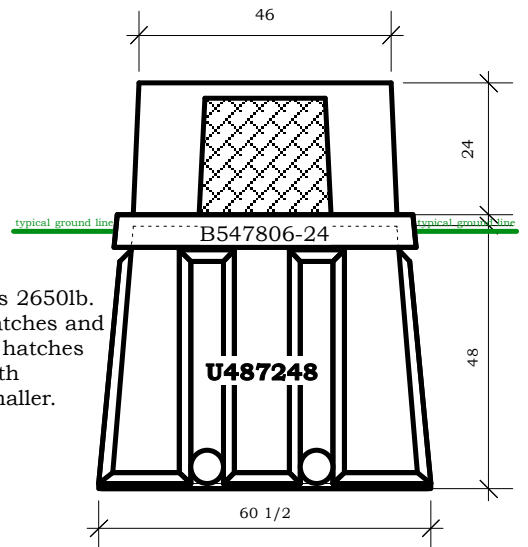
Approximate total weight is 2180lb.
16" x 32" horizontal hatch.
Use for cabinets with 58"x54" footprint or smaller.



Approximate total weight is 2650lb.
13" x 32" horizontal hatch and
24.5" x 9.5" vertical hatch.
Use for cabinets with 56"x46" footprint or smaller.



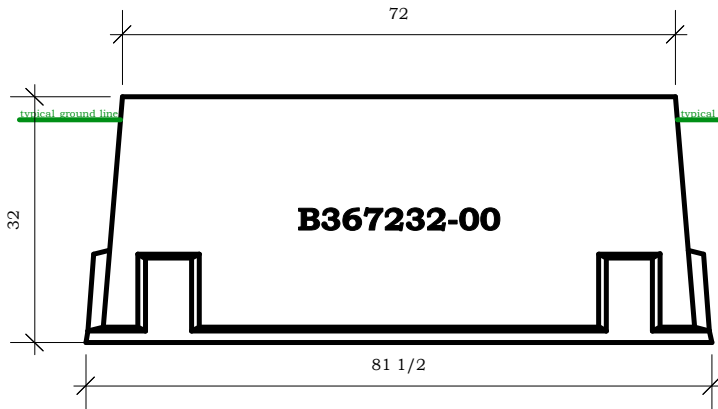
Approximate total weight is 2650lb.
Two 13" x 32" horizontal hatches and
two 24.5" x 20.5" vertical hatches
Use for cabinets with 36"x46" footprint or smaller.



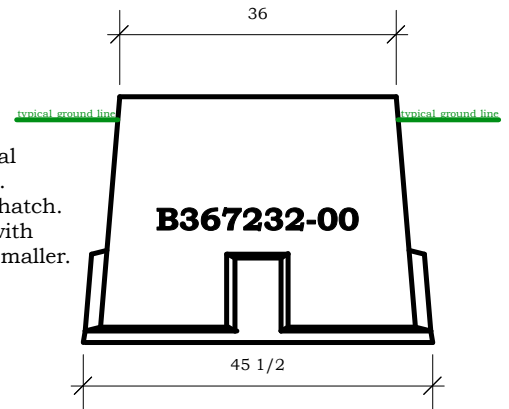
Equipment Foundations with Integral Vault

B367232-00

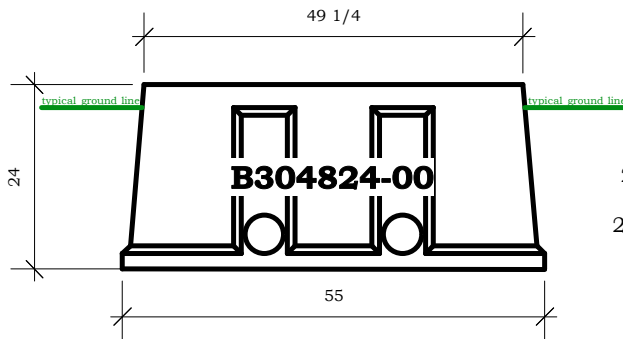
The B367232-00 vault can be used with large variety of cabinets.



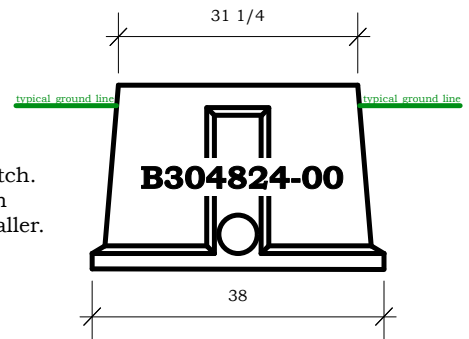
Approximate total weight is 900lb.
19" x 32" horizontal hatch.
Use for cabinets with 36"x49" footprint or smaller.



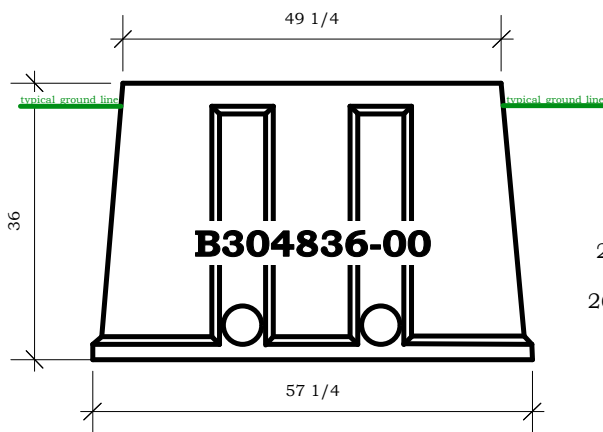
B304824-00



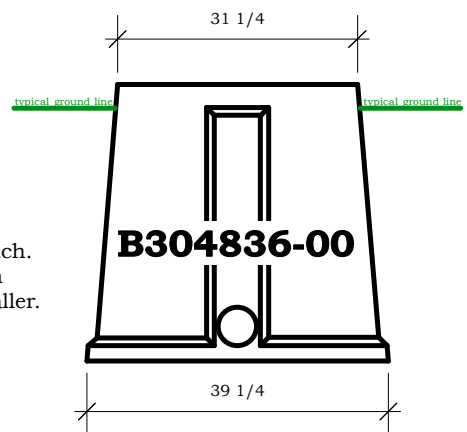
Approximate total weight is 450lb.
20" x 28" horizontal hatch.
Use for cabinets with 26"x24" footprint or smaller.



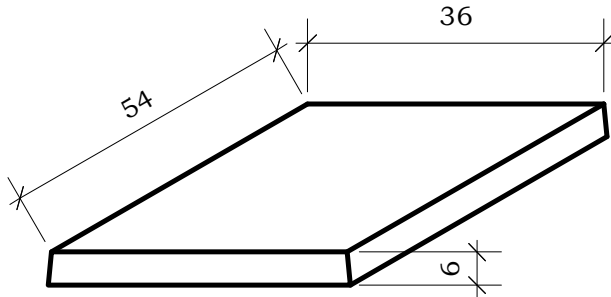
B304836-00



Approximate total weight is 700lb.
20" x 30" horizontal hatch.
Use for cabinets with 26"x24" footprint or smaller.

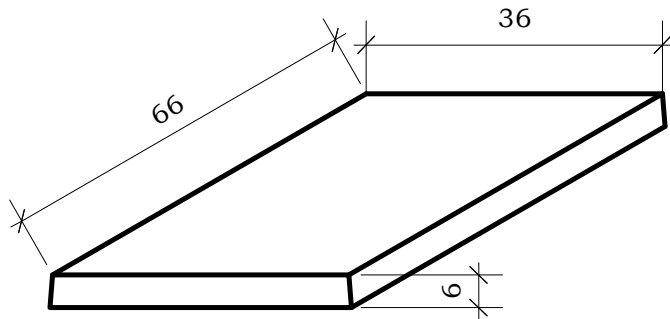


Set in place equipment pads



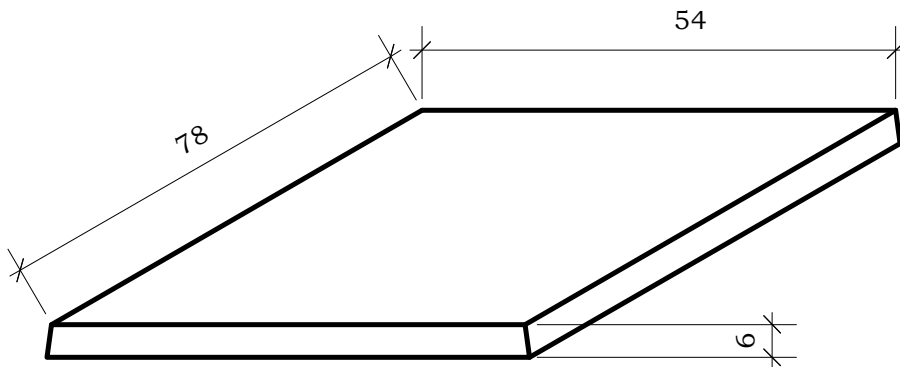
B365406-00

Total weight is 430lb
Use for cabinets with
36"x54" footprint or smaller.



B366606-00

Total weight is 500lb
Use for cabinets with
36"x66" footprint or smaller.



B547806-00

Total weight is 800lb
Use for cabinets with
78"x54" footprint or smaller.

Contact Tunnel Mill Polymer, Inc.
for more available sizes