

Tunnel Mill Polymer, Inc

Could your FTTX project stand some slack right now?

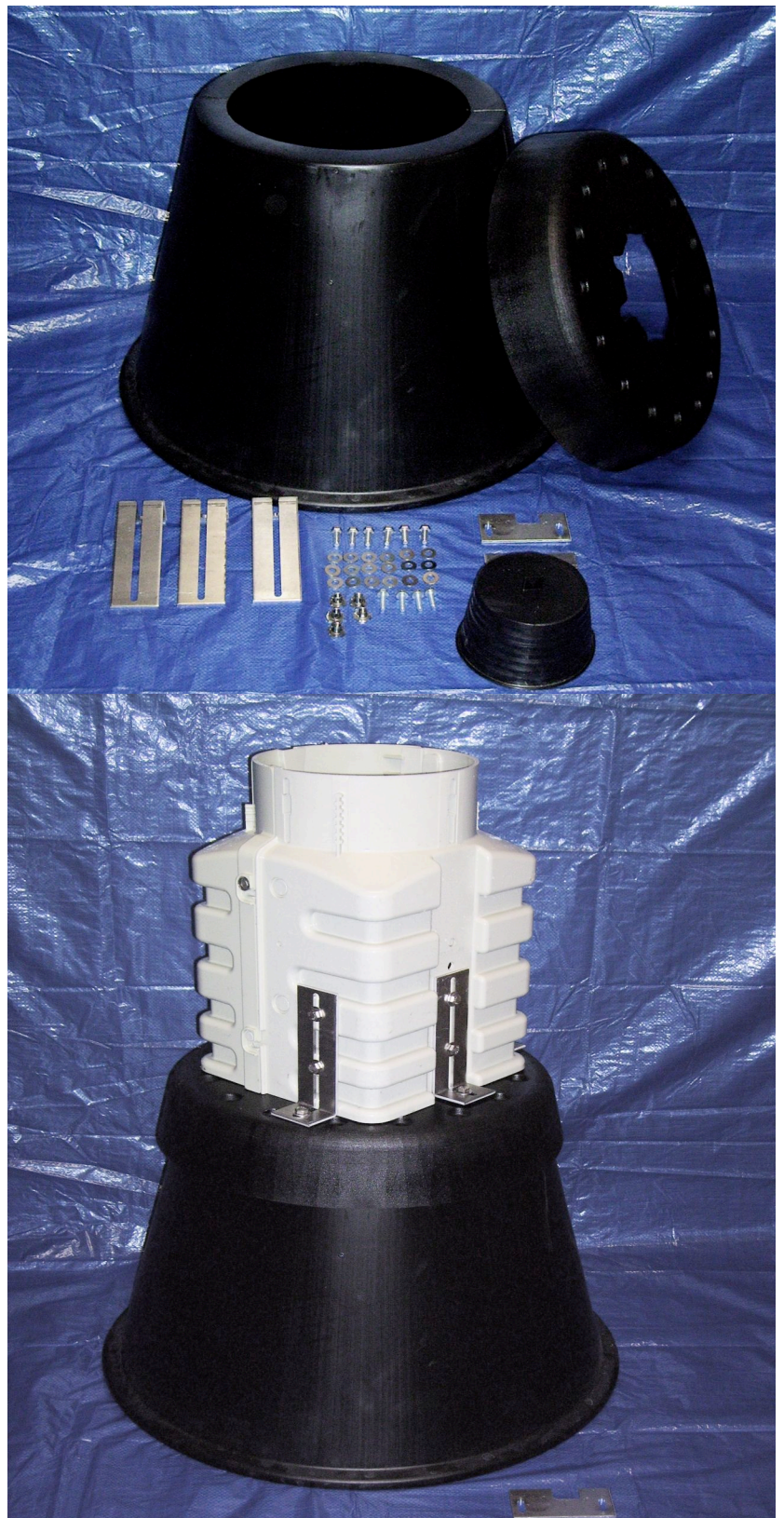
The BPS system can give you slack fiber cable storage, where you want it, while allowing you to maintain required bend diameters, and without filling the pedestal with condensation and icing. *All this, at a price that your project can afford.*

Stored slack can be a lifesaver if a pedestal is damaged, or needs to be relocated, or if a line is cut. It can also let you get the splicing operation out of inclement weather. But FTTX is a tight-budget game, and too often, the benefits of stored slack have to be sacrificed because of the cost.

We can help with that.

The BPS system is simple, robust, and quick to install. Slack cable is stored in a heavy-walled HDPE cone, under the pedestal itself. This cone is fitted with a removable lid that allows easy access to the storage space. The lids come in two configurations, one for small peds, (SP) and one for larger peds

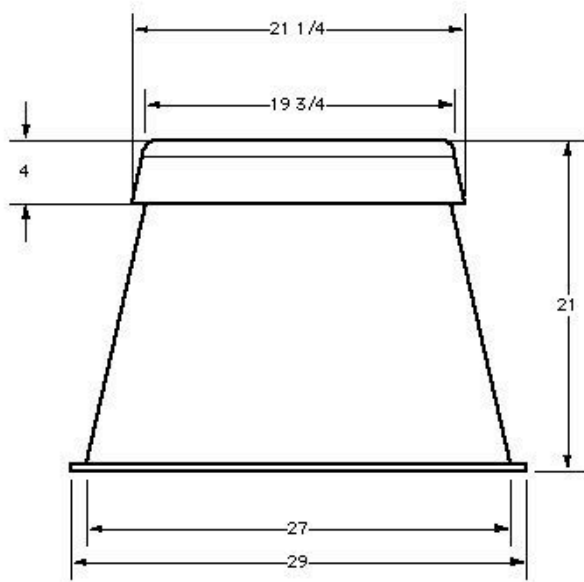
BPS182720-SP and BPS182720-LP



The pedestal is fastened to the removable lid with aluminum brackets and stainless steel fasteners. The removable lid is attached to the cone with fasteners accessible from above.

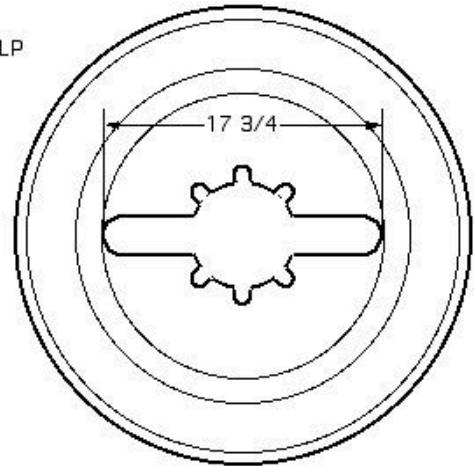
Fiber Capacity

		Fiber Type	<u>Single Armor</u>	<u>Double Jacket</u>
Fiber Count	60	96	192	216
Cable O.D.	0.61"	.72 "	.85"	0.88 "
Minimum Bend Diameter (No Load)	12.2 "	14.4	17.0 "	17.6"
Capacity	150+ feet	120+feet	100 feet	75 feet

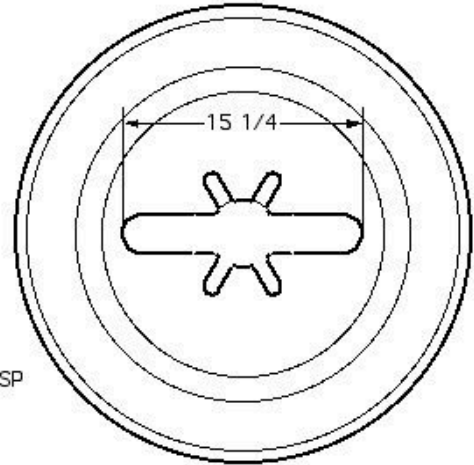


BPS182720 Elevation

Top View of BPS182720-LP Lid



Top View of BPS182720-SP Lid



Distributed by

Tunnel Mill Polymer, Inc.
P.O. Box 23, Alden, IA 50006
515-859-7629 (voice)
515-859-7706 (fax)